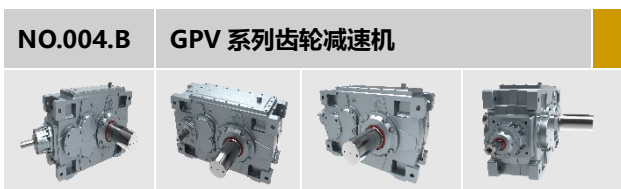
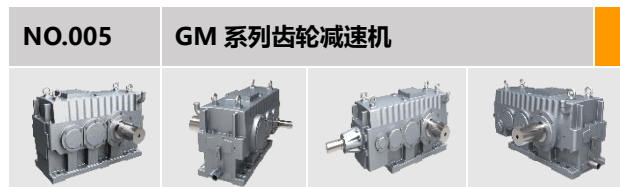


G 系列减速电机

G Series Geared Motor

产品样本 CATALOGUE NO.001
版本 VERSION V3.3-2020

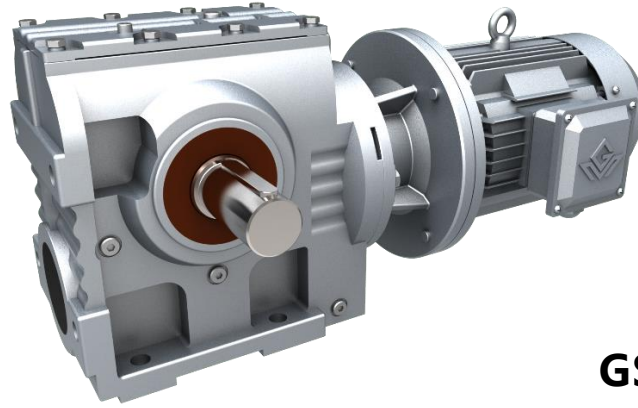
产品总览



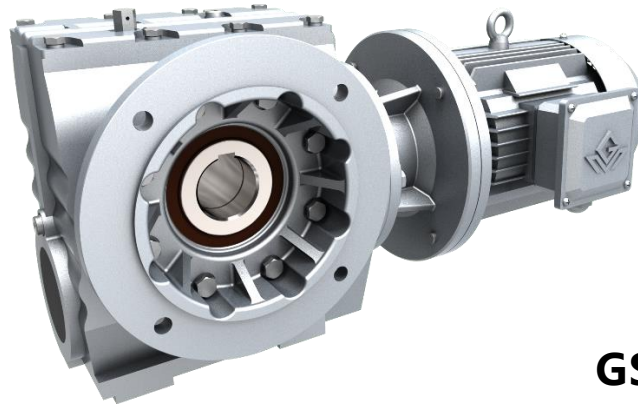
GS Series Helical-Worm Geared Motors

GS
系列

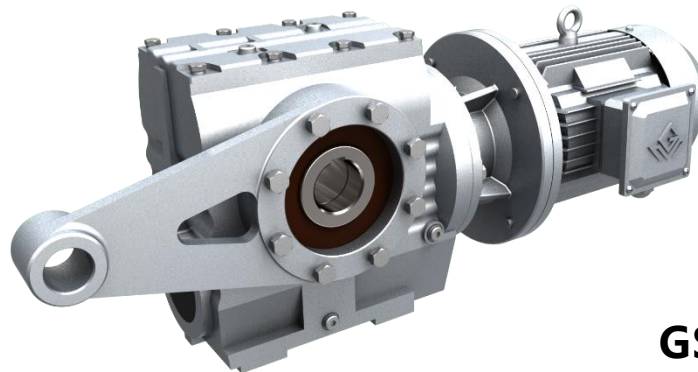
斜
齿
轮
—
蜗
轮
蜗
杆
减
速
电
机



GS..



GSAF..



GSA/T..

目 录

产品特性	Features of Products	1
场所条件	Site Conditions	1
选型参数表释义	Description of Selection Tables	2
选型步骤	Selection Steps	3
轴向载荷	Axial Loads	9
输入轴载荷	Input Shaft Loads	9
偏离输出轴轴伸中心点的径向载荷校核	Overhung Load Conversion for Off-center Force Application	9
GK 系列 (图片) Type of GR Series (Pictures)		
GK 系列结构形式说明	Dimensional Description	K1
GK 系列机型号表示方法	Type Expression of GR Series	K2
GK 系列安装形式图例	Mounting Arrangements Description	K3
GK 系列选型参数表	Selection Table	K4
GK 系列安装结构尺寸	Mounting Dimensional Description	K32
附录 A Appendix A		
附录 B Appendix B		
附录 C Appendix C		
附录 D Appendix D		
附录 E Appendix E		

产 品 概 述

产品特性

- 1、高度模块化设计:** 可以方便地配用各种型式的电动机或采用其它动力输入。同种机型可配用多种功率的电动机。容易实现各机型间组合联接。
- 2、传动比:** 划分细, 范围广。组合机型可以形成很大的传动比, 即输出极低的转速。
- 3、安装形式:** 安装位置不受限制。
- 4、强度高、体积小:** 箱体采用高强度铸铁。齿轮及齿轮轴采用气体渗碳淬火精磨工艺, 因而单位体积承载能力高。
- 5、使用寿命长:** 在正确选型 (包括选用适当的使用系数) 和正常使用维护的条件下, 减速机 (除易损件外) 的主要零部件寿命一般不低于 25000 小时。易损件包括润滑油、油封以及轴承。
- 6、噪声低:** 减速机主要零部件都经过精密加工, 并通过精心组装和测试, 因而减速机噪声较低。
- 7、效率高:** 单机型齿轮效率不低于 95%, 蜗轮蜗杆效率能达到 89%。
- 8、可承受较大的径向载荷。**

场所条件

本减速电机适合在环境温度 -10°C 到 +40°C 条件下运行, 海拔高度可达 1000 米。

可用于正反转。

无行业限制。

在其它条件下使用时请与技术部联系。

Features of Products

- 1、Highly Standard Modular Designed:** The products are connected with and driven by different types of motors or other kinds of input power. The same type geared motor can be adapted to optioned powers of motors. It is therefore easy to realize different solutions for varied requirements.
- 2、Ratio:** Featured many closely divided ratios and wide ranges of them. Very big final ratios can be obtained through combined unites to reach extremely low output speeds.
- 3、Mounting Arrangement:** No strict limitation to the mounting arrangement.
- 4、High Strength, Compact Dimension:** Housings are made of high strength cast iron. Gears and shaft gears are finished with gas carburising process and precise grinding to sequentially get high loading capacity of per certain volume.
- 5、Long Service Life:** Under the conditions of accurately selecting type size and the normal maintenance and use, main components (except those easily-disabled parts) can last as long as up to more than 25,000 hours. Easily-disabled parts include lubricating oil, oil seals, and bearings.
- 6、Low Noise:** All key components are finished by precisely machining, accurate assembly, and finally tested, and therefore, fairly low noise is reached.
- 7、Highly Efficiency:** The efficiency of gear unit is more than 95%, The efficiency of worm gear unit can reach 89%.
- 8、Large Radial Loading Ability.**

Site Conditions

The geared motors are suitable for the operation sites in the ambient temperatures from -10°C to 40°C and altitudes up to 1000m above sea level.

They can be used both for clockwise running and anticlockwise running.

There is no limitation to specific application field.

While applied in other aggressive operating atmosphere or environment conditions, please contact our technology department.

选型参数表释义

1、选型参数表 (恒功率):

电机功率 P [kW]: 表中列出的功率是按 GB/T 4772.1 旋转电机输出功率等级。

输出转速 n_a [r/min]: 即输出轴的转速。参考电机满载时的转速和减速机的传动比计算得出, 单位为转/分钟。

输出转矩 M_a [N.m]: 电机满载时, 减速机输出轴上可以产生的转矩。此输出转矩已考虑了减速机内部各种效率。

传动比 i : 减速机从输入到输出间总的实际 (精确) 传动比。

许用径向载荷 F_{Ra} [kN]: 标准实心输出轴轴头长度中点处, 或标准空心轴端部的许用径向载荷。

使用系数 f_B : 减速机额定功率与所配用的电机额定功率的比值。它是选择减速机规格的重要参数。

机型号: 即减速机的机型和规格号。有单机型和组合型两种。组合一般为恒功率条件下的组合。每种机型 (包括某些未列入此表中的同规格变型品种) 都可配备当前栏中所有传动比。其尺寸可查阅对应的安装结构尺寸图表。

电机极数: GB/T 4772.1 旋转电机极数。

2、选型参数表 (恒转矩):

恒转矩条件下较为合理的组合。按表中最大输出转矩计算时, 许用使用系数为 1。其它含义同恒功率。

Description of Selection Tables

1、 Selection Table (Constant Power):

Motor Power P [kW]: Power is indicated on the basis of GB/T 4772.1 motor.

Output Speed n_a [r/min]: Output speed is calculated on the basis of motor's fully loading speed and geared motor's ratio. Unit: revolutions per minute.

Output Torque M_a [N.m]: Torque available at output shaft while motor being fully loaded. All internal efficiency factors have already considered.

Ratio i : Exact final total transmission ratio input to output.

Permissible Radial Load F_{Ra} [kN]: Allowable radial load at the midpoint of the shaft head length of a standard solid output shaft, or at the end of a standard hollow shaft.

Service Factor f_B : The ratio of rated power of gear unit to rated power of motor power. It is an important parameter to select the reducer model.

Type Size of Unit: Including type and size. Individual unit and combined units are available. Combination is considered commonly under the constant power condition. Each type (and even some other types not mentioned in the tables) can be assembled or combined to any ratio mentioned in the tables.

For the detailed construction dimension, see the relevant dimensional tables.

Pole Number of Motor: The pole number of GB/T 4772.1 motor.

2、 Selection Table(Constant Torque):

Constant torque selection table is suitable for the conditions where the constant torque system is applied appropriately.

If the Max. torque listed in this table is used when calculating, service factor is 1.0 . The meanings of other terms are similar to ones described in Selection Table(Constant Power).

选型步骤

1. 机型的选择

G 系列减速电机由四种不同结构型式及其多种派生型组成。GR、GF 系列及其派生型，用于输入轴与输出轴平行的场合；GS、GK 系列及其派生型，用于输入轴与输出轴垂直的场合。

选型时一般先根据安装要求选择合适的机型系列。如，要求输入轴与输出轴垂直，可选择 GK 或 GS 系列。

2. 总工况系数 f_A 的确定

总工况系数：

$$f_A = f_{Ah} \times f_{Ac} \times f_{At} \times f_{An}$$

总工况系数由工作机的多项因素构成，可根据工作机情况进行取舍或增加项目。

1)、 f_{Ah}

f_{Ah} 由工作机载荷特性和工作时间两个因素决定的工况系数，是最基本、最主要的系数。常用工作机的 f_{Ah} 可参考后述“工况系数 f_{Ah} ”表选定。其它工作机的工况系数，可用类比法确定。

2)、 f_{Ac}

f_{Ac} 由启、停次数决定。可参考后述“工况系数 f_{Ac} ”表确定。注意启、停要各计一次。

3)、 f_{At}

f_{At} 由工作环境温度决定的系数。可参考后述“工况系数 f_{At} ”表确定。

4)、 f_{An}

f_{An} 由转速决定的系数，同时考虑了热功率问题。通常情况下，本系列减速电机不配置循环润滑及冷却装置。若减速电机输出转速较高，特别是立式安装时（M2/M4），或对减速电机温升有严格要求时，为避免热功率的问题，需增加转速工况系数 f_{An} 。可参考后述“工况系数 f_{An} ”表确定。

各项数值不能确定时，请与公司技术部联系。

Selection Steps

1、Type Selection

G series geared motor is composed of four different structural types and various derived types. GR, GF series and their derivations, used in situations where the input shaft is parallel to the output shaft; GS, GK series and their derivations, used for input shaft and output shaft vertical situations.

During the selection process, the appropriate model series is generally selected according to the installation requirements. For example, if the input shaft is perpendicular to the output shaft, you can choose GK or GS series.

2、Selection of Total Service Factor f_A

Total Service Factor:

$$f_A = f_{Ah} \times f_{Ac} \times f_{At} \times f_{An}$$

The total service factor is composed of several factors of the working unit, can choose or add projects according to the working conditions.

1)、 f_{Ah}

f_{Ah} is determined by two factors of working unit load feature and working time, it is the most basic and important factor. f_{Ah} of frequently-used work unit can see the 'service factor f_{Ah} ' below to select.

2)、 f_{Ac}

f_{Ac} -the factor determined by number of starts and stop per hour of working unit. You can see the 'service factor f_{Ac} ' below. Attention: the number should be counted even start or stop.

3)、 f_{At}

f_{At} is a factor determined by the temperature of the working environment. Refer to the "service factor f_{At} " table below for determination.

4)、 f_{An}

f_{An} is a factor determined by the rotation speed, and the thermal power problem is taken into account. In general, this series of geared motors are not equipped with circulating lubrication and cooling devices. If the output speed of the geared motor is relatively high, especially under vertical installation (M2/M4), or when the temperature rise of the geared motor is strictly required, in order to avoid the problem of thermal power, the speed service factor f_{An} should be increased. Refer to the "service factor f_{An} " table below for determination.

When you can't select the value of service factor, please contact with us.

3. 型号 (规格) 的确定

须满足条件 $f_B \geq f_A$ (或 $f_B \geq f_{Ah} \times f_{Ac} \times f_{At} \times f_{An}$)

1)、恒功率选型

(1)电机与减速机直联或通过联轴器联接

a、在选型参数表(恒功率)中找到相应的电机功率、极数。

b、在此功率和极数下,初步选用一个具有相近传动比的机型,并记录下其使用系数 f_B 。

c、比较,若满足条件 $f_B \geq f_A$,则是可用机型。否则,加大机型,直到满足条件。

(2)电机与减速器之间具有前置减速联接

若电机与减速机之间通过齿轮、皮带、链轮等减速装置联接,由于输入转矩的增加,须把电机功率折算到减速机输入轴上,即把电机的功率乘以前置减速装置的传动比。用折算的功率(当量功率),按前述章节(1)中的方法选取。此时,电机极数不变。

注意,采用当量功率仅是为了选型方便,并无其它物理含义。

2)、恒转矩选型

按电机功率、极数和传动比查选型参数表(恒转矩)。此时,工作转矩须限制在所选减速机的最大输出转矩范围内。

4、径向载荷检验

须满足条件: $F_{Ra} \geq f_A \times F_r$; (N)

其中:

F_{Ra} —标准实心输出轴轴头长度中点处,或标准空心轴端部的许用径向载荷。

若载荷作用点不在规定处,其许用径向载荷,须按后述章节“偏离输出轴轴伸中心点的径向载荷校核”进行修订和校核。

f_A —工作机总工况系数。按前述章节计算得出。

F_r —减速电机输出轴上工作元件产生的径向载荷。轴上工作元件为联轴器,且严格按联轴器对标准安装,确认无径向载荷时,可取 $F_r=0$;轴上工作元件为

3.Selection of Type (Size)

It is essential to meet following: $f_B \geq f_A$ (or $f_B \geq f_{Ah} \times f_{Ac} \times f_{At} \times f_{An}$)

1)、For constant power

(1)The motor is mounted directly into gear unit or with coupling

a、Reach to a relevant power and pole number of motor from selection table (constant power)

b、Select rudely a size with close radio, and recode it's f_B .

c、Compare, if meet this formula: $f_B \geq f_A$, then this size of gear unit is available. Otherwise select a bigger size of gear unit until meet it.

(2)、The gear unit with perfixion deceleration unit

When connecting the motor and gear unit using gears, belts, or chains, etc. Because the torque of input has been increased, so it is essential to convert motor power into input power of gear unit, the input power is to multiply motor power by radio. Select the size according to the power converted from the seletion table. This moment, the number of motor pole is same.

Attention, the equivalent power is used only for selection convenience and has no other physical meaning.

2)、For constant torque

Select the size of gear unit according to the power and pole of motor and radio from selection table (constant torque). It is essential to restrict the working torque under maximal output torque of gear unit selected.

4、Radial Load Checking

It is essential to meet following: $F_{Ra} \geq f_A \times F_r$; (N)
Where:

F_{Ra} —Allowable radial load at the midpoint of the shaft head length of a standard solid output shaft, or at the end of a standard hollow shaft.

If the loading point is not specified,it allowable radial load shall be revised and checked according to the following chapter "Radial load check deviating from the center point of output shaft extension".

f_A —total service factor of work units. Calculated according to the preceding section.

F_r —radial load generated by working elements on output shaft of geared motor.

The working element on the shaft is the coupling, and it is installed strictly in accordance with the coupling standard. When no radial load is confirmed,

齿轮，链轮，皮带轮时，Fr 值由下式求出：

$$Fr = 2 * Mr * fr / d \quad (N)$$

其中：**Mr**—工作元件的工作转矩 (N.m)

d—工作元件节圆直径 (m)

fr—径向载荷系数。可参考如下取值。

单排链轮 $fr = 1$;

一个齿轮或双排链轮 $fr = 1.25$;

V 型带 $fr = 1.5$; 平型带 $fr = 2.5$

对于 GK 和 GS 系列减速机，M1 安装时，侧面与安装固定面连接时，许用径向载荷只有选型表中 F_{Ra} 数值的 50%。

对于 GK169 和 GK189 减速电机在安装位置 M1-M4 时，若安装面与其安装形式图例有所区别，许用径向载荷只有选型表中 F_{Ra} 数值的 50%。

5、安装条件检验

有安装尺寸条件限制时应作此检验。即把所选电机型号的结构尺寸和可利用的空间尺寸作比较。

若以上都能满足，则按机型号表示方法书写即可。有特殊要求时，可加文字说明。

普通供货约定：

- 1、无特别说明时电机供货按 IP55 防护等级，F 级绝缘。
- 2、不注明电机接线盒位置时，通常按安装形式图例中的 0° 位置供货。
- 3、不特别提出输出轴与输入轴旋向关系时，不在减速机上做出标识。
- 4、减速机出厂已加好润滑油。
- 5、安装结构尺寸图表中已注明不在标准供货范围内的附件不提供。

本样本中如有改进之处，不另作通知，请谅解。

$Fr = 0$ is desirable; When the working elements on the shaft are gears, sprockets and belt wheels, the Fr value can be calculated from the following formula:

$$Fr = 2 * Mr * fr / d \quad (N)$$

Where, **Mr**-working torque of the working unit(N.m)
d-pitch circle radius of the working unit(m)

fr-radial load factor, which can be got refer to the following:

$fr = 1$, for single chain sprocket wheel

$fr = 1.25$, for single gear or for double chain sprocket wheel

$fr = 1.5$, for V-section belt ; $fr = 2.5$, for flat belt

Only 50% of the F_{Ra} value specified in the selection table is permitted in mounting position M1 with wall attachment on the side face for GK and GS gear units.

Helical-bevel geared motors GK169 and GK189 in mounting positions M1 to M4: If the mounting position is different from the position we offered (M1-M4), The overhung load F_{Ra} lasted in the selection tables.

5、Mounting Dimension Checking

Check the mounting dimension when there is a limitation to site mounting condition.

If the selected type by the above method is appropriate to site mounting condition, this final type is standard and should be written in formal type description.

If any special requirement is requested, please describe it while placing order.

Normal Delivery Condition:

- 1、Motor: motor of protection class IP55 and of insulation class F, while no special request.
- 2、Terminal box: Terminal box is at 0° position if no special request(see description of motor terminal box position)
- 3、Rotation direction: There will be no mark of rotation direction for input shaft or output shaft, if the relationship between input shaft and output shaft is not requested.
- 4、Lubricants: Units are supplied with lubricant oil before delivery.
- 5、Accessories: Generally, accessories excluded in mounting dimension table do not belong to our standard supply.

Design and specifications are subject to change without notice, Please forgive.

工况系数 f_{Ah}

应用	8h/天	16h/天	24h/天
食品工业			
粉碎机	1.75	2	2.25
甜菜切片机 揉面机	1.25	1.5	1.75
碾肉机	1.25	1.5	1.5
填充机	0.8~1*	1	1.25
和面机	1	1.25	1.5
挤压机	1.25	1.5	1.75
甘蔗切碎机	1.75	1.75	1.75
榨糖机	1.75	1.75	1.75
烤面包机	1.25	1.25	1.25
辅助动力、伺服系统			
微动装置, 无载荷	0.8~1*	*	*
普通载荷	1.25	1.25	1.25
压缩机			
离心式	1	1.25	1.5
轴流式	1	1.25	1.5
过滤机	1	1.25	1.5
建筑业			
水泥搅拌机	1.25	1.5	1.75
水泥厂	1.5	1.75	2
灰泥喷射机	0.8~1*	1	1.25
发电机	0.8~1*	1	1.25
水处理、环保			
曝气机	1.75	2	2
普通通风装置	1.5	1.5	1.5
旋转木马式通风装置	1.75	1.75	1.75
条栅式筛子 搜集器	0.8~1*	1	1.25
螺旋泵	1	1.25	1.5
筛子			
旋转式 (石头, 砂)	1	1.25	1.5
行进式吸水机	0.8~1*	1	1.25
农用机械			
施肥平土机	0.8~1*	1	*
收割机	0.8~1*	1	*
起重机械			
行进运动	1.5	1.75	2
回转机构	1.25	1.5	2
起升机构	1.25	1.5	1.75
转臂式起重机	1.25	1.5	1.75
混合机			
均匀密度	1.25	1.5	1.5
不均匀密度	1.5	1.75	1.75

Service Factor f_{Ah}

Application	8h/d	16h/d	24h/d
Food industry			
Crushers	1.75	2	2.25
Beet slicers, kneaders	1.25	1.5	1.75
Meat grinders	1.25	1.5	1.5
Filling machine	0.8~1*	1	1.25
Dough mixers	1	1.25	1.5
Extruders	1.25	1.5	1.75
Sugar cane knives	1.75	1.75	1.75
Sugar roller mills	1.75	1.75	1.75
Toaster	1.25	1.25	1.25
Auxiliary drives, servicing			
Inching, no load	0.8~1*	*	*
Normal duty	1.25	1.25	1.25
Compressors			
Centrifugal	1	1.25	1.5
Lobe	1	1.25	1.5
Filters	1	1.25	1.5
Construction industry			
Cement mixer	1.25	1.5	1.75
Cement mills	1.5	1.75	2
Mortar spraying machine	0.8~1*	1	1.25
Generators	0.8~1*	1	1.25
Water treatment, environment tools			
Aerators	1.75	2	2
Common aerators	1.5	1.5	1.5
Carrousel aerators	1.75	1.75	1.75
Bar screens, collectors	0.8~1*	1	1.25
Screw pumps	1	1.25	1.5
Screens			
Rotary (for stone, for gravel)	1	1.25	1.5
Traveling water intake	0.8~1*	1	1.25
Agricultural machinery			
Manure scrapers	0.8~1*	1	*
Harvesting machines	0.8~1*	1	*
Cranes and hoists			
Travel motion	1.5	1.75	2
Slewing gears	1.25	1.5	2
Hoisting gears	1.25	1.5	1.75
Derricking jib cranes	1.25	1.5	1.75
Mixer			
Constant density	1.25	1.5	1.5
Variable density	1.5	1.75	1.75

工况系数 f_{Ah}

木材和塑料工业			
电锯的主动力	1.5	1.75	2
电锯的进给动力	1	1.25	1.5
砍木机	1.5	1.75	2
胶合板胶合机	0.8~1*	1	1.25
钻孔机	0.8~1*	1	1.25
挤压机	1.25	1.5	1.75
搅拌机			
纯液体 (均匀密度)	1.5	1.75	1.75
非均匀密度的液体	1.75	2	2.25
液体和固体	1.75	2	2.25
磨机			
球磨机, 棒磨机	1.75	1.75	1.75
锤磨机, 粉碎机	1.5	1.75	2
印刷和制纸技术			
切割机	1	1.25	1.5
卷筒	0.8~1*	1	1.25
打包进料机	1	1.25	1.25
电梯			
提升机	1.25	1.5	1.75
货运电梯	1.25	1.5	1.75
自动扶梯	1.25	1.25	1.5
纺织工业			
织机	1.25	1.5	1.75
纺纱机	0.8~1*	1	1.25
洗涤机	1	1.25	1.5
输送机			
斗式输送机	1.5	1.75	1.75
平衡加荷或喂料	0.8~1*	1	1.25
重载链和螺旋输送	1.25	1.5	1.5
振动输送机	1.5	1.75	2
卷扬机	1.5	1.75	1.75
皮带输送机	1.25	1.5	1.5
绞车	1.5	1.75	1.75
刮板式输送机	1.25	1.25	1.5
风扇			
离心式风扇	0.8~1*	1	1.25
工业风扇	1	1.25	1.5
冷却塔动力	1.75	1.75	1.75
冷却塔风扇	1.75	2	2

Service Factor f_{Ah}

Lumber and plastic industry			
Main drive for saws	1.5	1.75	2
Feed drives for saws	1	1.25	1.5
Chopping machines	1.5	1.75	2
Veneer gluing machine	0.8~1*	1	1.25
Drilling machine	0.8~1*	1	1.25
Extruders	1.25	1.5	1.75
Agitators			
Pure liquids (constant density)	1.5	1.75	1.75
Liquids with variable density	1.75	2	2.25
Liquids and solids	1.75	2	2.25
Mills			
Ball, rod	1.75	1.75	1.75
Hammer, disintegrator	1.5	1.75	2
Printing and paper techniques			
Cutters	1	1.25	1.5
Reels	0.8~1*	1	1.25
Bale feeders	1	1.25	1.25
Elevators			
Bucket elevators	1.25	1.5	1.75
Freight elevators	1.25	1.5	1.75
Escalators	1.25	1.25	1.5
Textile industry			
Looms	1.25	1.5	1.75
Spinners	0.8~1*	1	1.25
Washers	1	1.25	1.5
Conveyors			
Bucket conveyors	1.5	1.75	1.75
Uniformly loaded or fed	0.8~1*	1	1.25
Heavy duty, chain and screw conveyors	1.25	1.5	1.5
Shaker conveyors	1.5	1.75	2
Hoists	1.5	1.75	1.75
Belt conveyors	1.25	1.5	1.5
Hauling winches	1.5	1.75	1.75
Apron conveyors	1.25	1.25	1.5
Fans			
Centrifugal	0.8~1*	1	1.25
Industrial fans	1	1.25	1.5
Cooling tower drives	1.75	1.75	1.75
Cooling tower fans	1.75	2	2

工况系数 f_{Ah}

包装机械			
纸板堆叠机械	1.25	1.5	1.75
打包机	0.8~1*	1	1.25
机床设备			
平面刨床, 龙门刨床	1.25	1.5	1.75
弯轧机			
主动力, 进给动力	1	1.25	1.5
进给和辅助动力	0.8~1*	1	1.25
压力机	1.75	2	2
折弯机	1.5	1.75	2
剪板机	1.75	2	2
钢铁工业			
拉线机	1.25	1.5	1.75
绕线机	1.25	1.75	1.75
轧辊辊道: 无回转			
—组合动力	1.25	1.5	1.75
—独立动力	1.5	1.75	2
泵			
离心式	1	1.25	1.5
旋转式, 齿轮型, 叶轮型, 叶片型	0.8~1*	1	1.25
活塞泵: 单缸	1.5	1.75	2
多缸	1.25	1.5	1.75
螺旋泵	1	1.25	1.5

工况系数 f_{Ac}

启停次数/每小时	
< 10	1
< 100	1.15
< 500	1.25

工况系数 f_{At}

环境温度	+20°C...	+20°C... +30°C	+30°C... +40°C	+40°C... +50°C	+50°C... +60°C
f_{At}	1	1.1	1.25	1.5	1.75

工况系数 f_{An}

输出转速 (r/min)	≤2	2~10	10~50	50~100	100~150	150~200	> 200
f_{An}	0.9	0.95	1.0	1.05	1.15	1.25	1.35

*=0.8 假如运行时间少于 3 小时/天, 并且无径向载荷作用。

这些工况系数是基于我们多年的经验所得。特别适用于电动机作为主要动力的场合。对于特殊应用设计, 例如大的惯性系数, 请与我公司技术部联系。

Service Factor f_{Ah}

Packing machine			
Cardboard stacking machine	1.25	1.5	1.75
Wrapping machine	0.8~1*	1	1.25
Machine tools			
Plate surfacers, plate planers, bending rolls	1.25	1.5	1.75
Main drives, feed drives	1	1.25	1.5
Feed and auxiliary drives	0.8~1*	1	1.25
Presses	1.75	2	2
Folding machines	1.5	1.75	2
Plate shears	1.75	2	2
Iron and steel industry			
Wire drew benches	1.25	1.5	1.75
Winding machine	1.25	1.75	1.75
Rolling mill: non reversing			
—group drives	1.25	1.5	1.75
—individual drives	1.5	1.75	2
Pumps			
Centrifugal	1	1.25	1.5
Rotary, gear type, lobe, vane	0.8~1*	1	1.25
Piston pumps: single cylinder	1.5	1.75	2
multi-cylinder	1.25	1.5	1.75
Screw pumps	1	1.25	1.5

Service Factor f_{Ac}

Number of stars and stop/hour	
< 10	1
< 100	1.15
< 500	1.25

Service Factor f_{At}

Ambient temperature	+20°C...	+20°C... +30°C	+30°C... +40°C	+40°C... +50°C	+50°C... +60°C
f_{At}	1	1.1	1.25	1.5	1.75

Service Factor f_{An}

Output speed (r/min)	≤2	2~10	10~50	50~100	100~150	150~200	> 200
f_{An}	0.9	0.95	1.0	1.05	1.15	1.25	1.35

*=0.8, if hours of operation < 3 hours/24 and no radial overhung load is applied.

These service factors are recommended on the basis of AGMA and ISO specifications and our experiences. They apply for electric motors as prime movers preferably. For specially designed applications, e.g. large inertia factor, please contact our technology department.

轴向载荷

如果没有径向载荷，那么轴向载荷 F_A (+表示拉力, -表示压紧力) 依据表中径向负荷的 5% 给定是允许的。

过大的轴向载荷或轴向及径向的合成力，请咨询技术部。

输入轴载荷

输入轴的轴向载荷和径向载荷应用，请咨询技术部

偏离输出轴轴伸中心点的径向载荷校核

对于受力点不在输出轴轴伸中点处的许用径向载荷根据下列公式计算。

F_{XL} 和 F_{XW} 中的较小值, 就是在 X 位置的许用径向载荷。

根据轴承寿命计算 F_{XL} (单位 N)

$$F_{XL} = F_{Ra} \times a / (b + X)$$

根据输出轴强度计算 F_{XW} (单位 N)

$$F_{XW} = c / (f + X)$$

F_{Ra} --底脚安装的减速机输出轴轴伸中点处的许用径向载荷, 单位[N]

X --从轴肩到受力点的距离, 单位[mm]

a, b, f --对径向载荷转化的减速机常数, 单位[mm]

c --对径向载荷转化的减速机常数, 单位[N·mm]

Axial Loads

If there is no overhung long, then an axial load F_A (tension or compression) amount to 5% of the overhung load given in the selection tables is approved.

if significantly greater axial loads or combinations of overhung load and axial load. Please contact our technology department .

Input Shaft Loads

Please contact technical department for axial and radial loads on input shaft

Overhung Load Conversion for Off-center Force Application

The approved overhung loads given in the selection tables must be calculated by using the following formulae in the event of force application not in the center of the shaft end.

The smaller of the two values F_{XL} and F_{XW} is the approved value for the overhung load at point X .

F_{XL} acc.to bearing service life

$$F_{XL} = F_{Ra} \times a / (b + X)$$

F_{XW} from the shaft strength

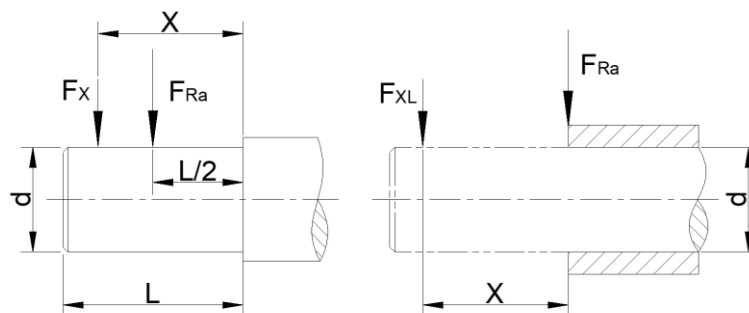
$$F_{XW} = c / (f + X)$$

F_{Ra} --Approved overhung load($X=L/2$) for foot-mounted gear units according to the selection tables in [N]

X --Distance from the shaft shoulder to the force application point in [mm]

a, b, f --Gear unit constants for overhung load conversion [mm]

c --Gear unit constants for overhung load conversion [N·mm]



图：偏离中心点的径向力 F_x

Fig:Overhung load F_x for off-center force application

对径向载荷转化的减速机常数
Gear unit constants for overhung load conversion

机型号 Type size	减速机常数 Reducer constant					
	a(mm)	b(mm)	c(N.mm)	f(mm)	d(mm)	l(mm)
GR19	88.5	68.5	6.527x10 ⁴	17	20	40
GR29	106.5	81.5	1.56 x10 ⁵	11.8	25	50
GR39	118	93	1.24 x10 ⁵	0	25	50
GR49	137	107	2.44 x10 ⁵	15	20	60
GR59	147.5	112.5	3.77 x10 ⁵	18	35	70
GR69	168.5	133.5	2.51 x10 ⁵	0	35	70
GR79	173.7	133.7	3.97 x10 ⁵	0	40	80
GR89	216.7	166.7	8.47 x10 ⁵	0	50	100
GR99	255.5	195.5	1.19 x10 ⁶	0	60	120
GR109	285.5	215.5	2.06 x10 ⁶	0	70	140
GR139	343.5	258.5	6.14 x10 ⁶	30	90	170
GR149	402	297	8.65 x10 ⁶	33	110	210
GR169	450	345	1.26 x10 ⁷	0	120	210
GR179	420	295	1.6 x10 ⁷	0	160	250
GRX59	43.5	23.5	1.51 x10 ⁵	34.2	20	40
GRX69	52.5	27.5	2.42 x10 ⁵	39.7	25	50
GRX79	60.5	30.5	1.95 x10 ⁵	0	30	60
GRX89	73.5	33.5	7.69 x10 ⁵	48.9	40	80
GRX99	86.5	36.5	1.43 x10 ⁶	53.9	50	100
GRX109	102.5	42.5	2.47 x10 ⁶	62.3	60	120
GRX139	133	63	3.55 x10 ⁶	70.1	70	140
GF39	123.5	98.5	1.07 x10 ⁵	0	25	50
GF49	153.5	123.5	1.78 x10 ⁵	0	30	60
GF59	170.7	135.7	5.49 x10 ⁵	32	35	70
GF69	181.3	141.3	4.12 x10 ⁵	0	40	80
GF79	215.8	165.8	7.78 x10 ⁵	0	50	100
GF89	263	203	1.19 x10 ⁶	0	60	120
GF99	350	280	2.09 x10 ⁶	0	70	140
GF109	373.5	288.5	4.23 x10 ⁶	0	90	170
GF129	442.5	337.5	9.49 x10 ⁶	0	110	210
GF159	512	407	1.05 x10 ⁷	0	120	210
GK39	123.5	98.5	1.41 x10 ⁵	0	25	50
GK49	153.5	123.5	1.78 x10 ⁵	0	30	60
GK59	169.7	134.7	6.8 x10 ⁵	31	35	70
GK69	181.3	141.3	4.12 x10 ⁵	0	40	80
GK79	215.8	165.8	7.69 x10 ⁵	0	50	100
GK89	252	192	1.64 x10 ⁶	0	60	120
GK99	319	249	2.8 x10 ⁶	0	70	140
GK109	373.5	288.5	5.53 x10 ⁶	0	90	170
GK129	443.5	338.5	8.31 x10 ⁶	0	110	210
GK159	509	404	1.18 x10 ⁷	0	120	210
GK169	621.5	496.5	1.88 x10 ⁷	0	160	250
GK189	720.5	560.5	3.04 x10 ⁷	0	190	320
GS39	118.5	98.5	6.0 x10 ⁴	0	20	40
GS49	130	105	1.33 x10 ⁵	0	25	50
GS59	150	120	2.14 x10 ⁵	0	30	60
GS69	184	149	3.04 x10 ⁵	0	35	70
GS79	224	179	5.26 x10 ⁵	0	45	90
GS89	281.5	221.5	1.68 x10 ⁶	0	60	120
GS99	326.3	256.3	2.54 x10 ⁶	0	70	140
GS109	453.5	283.5	2.85 x10 ⁶	0	90	170

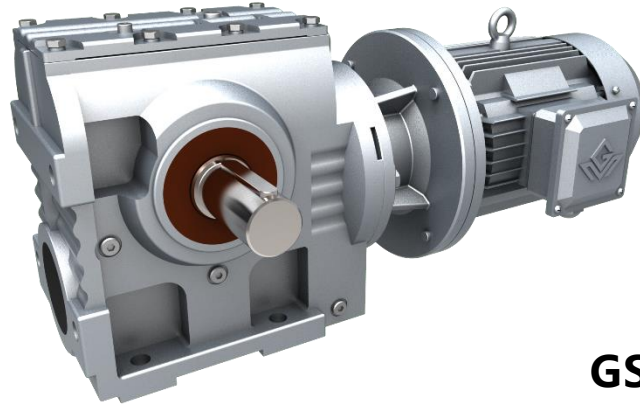
对于没有列出的型号的减速机常数需要另给定。

Values for types not listed are available on request.

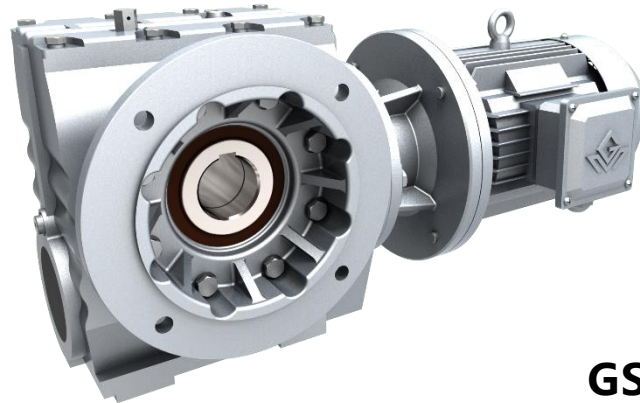
GS Series Helical-Worm Geared Motors

GS
系列

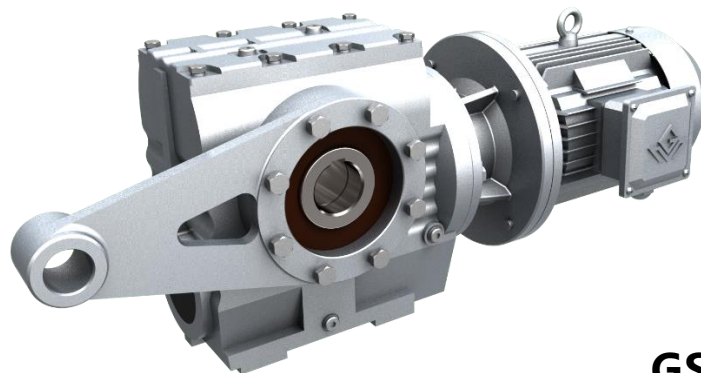
斜
齿
轮
—
蜗
轮
蜗
杆
减
速
电
机



GS..



GSAF..



GSA/T..

GS 系列 斜齿轮-蜗轮蜗杆减速电机

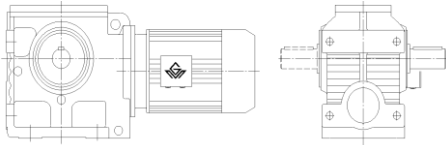
结构形式说明 Dimensional Description

GS 系列输出轴垂直于输入轴，由一级斜齿轮和一级蜗轮蜗杆构成。

Output shafts of GS series are vertical to input shafts. Units of GS series consist of single stage helical gears and single stage worn gears.

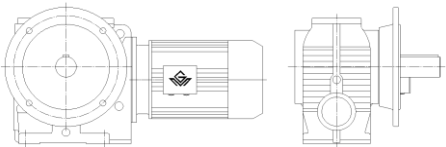
1.GS 型： 底脚安装，输出轴为实心轴。

Type GS: Foot-mounted. Solid output shaft.



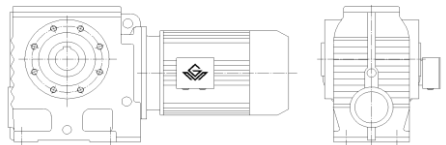
2.GSF 型： B5 法兰安装，输出轴为实心轴。

Type GSF: B5 flange mounted. Solid output shaft.



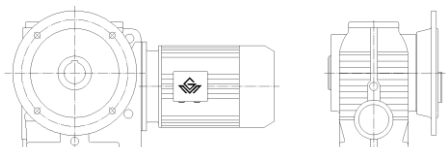
3.GSA 型： 轴装式，输出轴为空心轴。

Type GSA: Shaft mounted. Hollow output shaft.



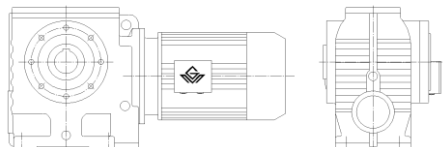
4.GSAF 型： B5 法兰安装，输出轴为空心轴。

Type GSAF: B5 flange mounted. Hollow output shaft.



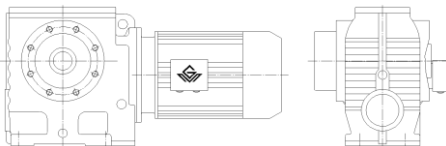
5.GSAZ 型： B14 法兰安装，输出轴为空心轴。

Type GSAZ: B14 flange mounted. Hollow output shaft.



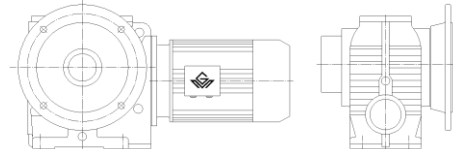
6.GSH 型： 轴装式，输出轴为空心轴带锁紧盘。

Type GSH: Shaft mounted. Hollow output shaft with shrink disk.



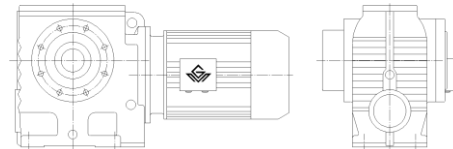
7.GSHF 型： B5 法兰安装，输出轴为空心轴带锁紧盘。

Type GSHF: B5 flange mounted. Hollow output shaft with shrink disk.



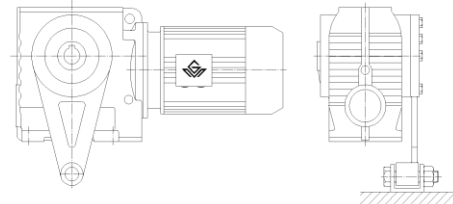
8.GSHZ 型： B14 法兰安装，输出轴为空心轴带锁紧盘。

Type GSHZ: B14 flange mounted. Hollow output shaft with shrink disk.



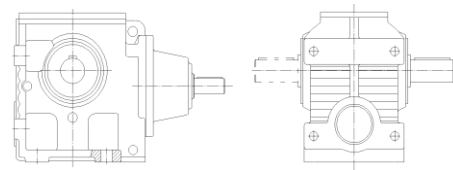
9.GSAT 型/GSHT 型： 防转臂安装。

Type GSAT/GSHT: Torque arm mounted.



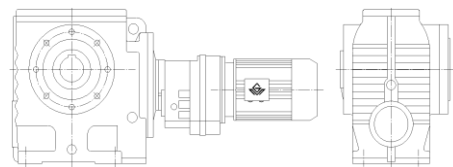
10.GS..AD 型： 输入轴型。

Type GS.. AD: Input shaft types.

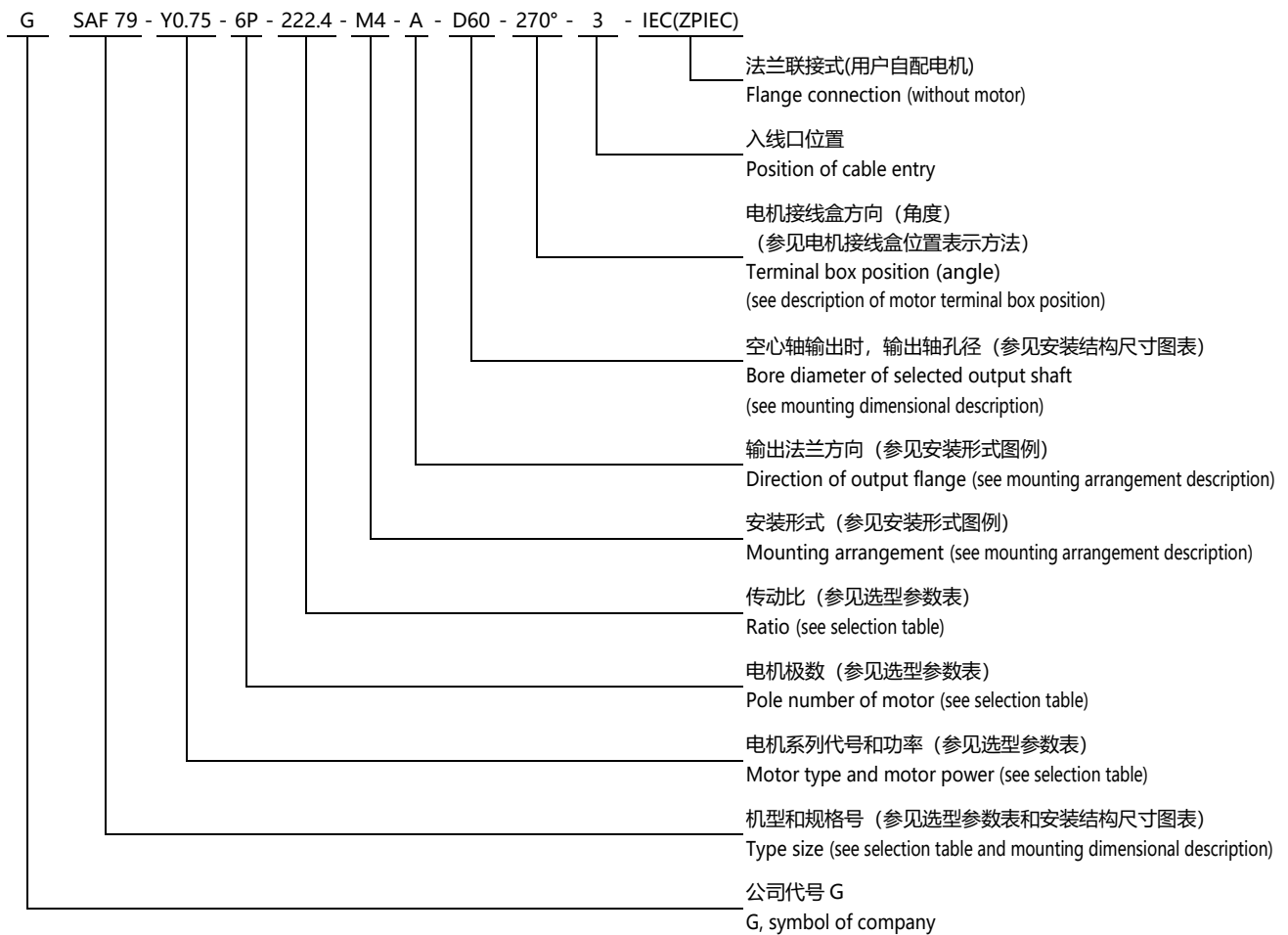


11.GS..R 型： GS 系列和 GR 系列的组合。

Type GS..R: Combined types of type GS and type GR.



GS 系列机型号表示方法 Type Expression of GS Series

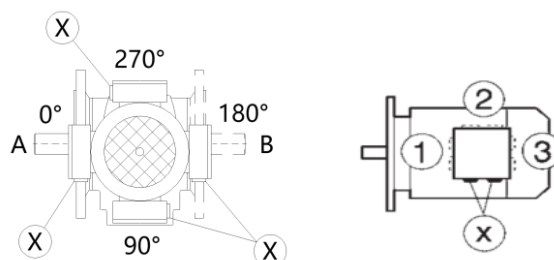


- 注: 1、需带联接法兰时请注明 IEC。
2、输入轴型没有电机各项内容。
3、不注明减速机的安装形式时, 则默认为安装形式中的 M1 位置。不注明接线盒方向时, 则默认为安装形式中的 0 度位置。不注明入线口位置时, 则默认为 X 位置。
4、对输出轴旋转方向和输入轴旋转方向有特别要求的用户, 请与技术部联系, 并在订货时用简图或文字说明。

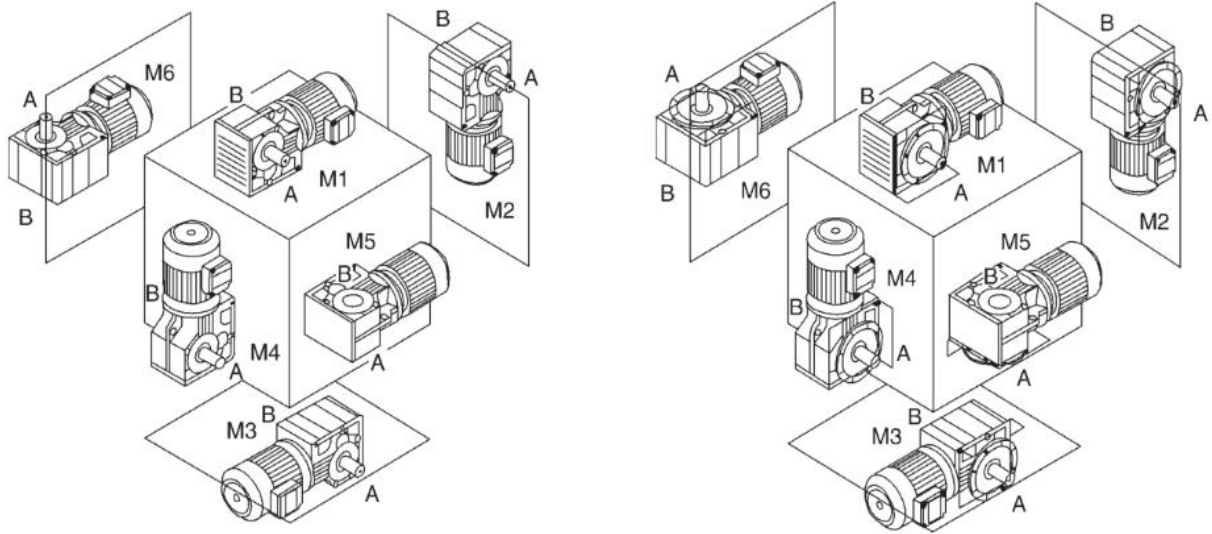
- Note: 1、Please make a note, if it needs connecting flange.
2、Contents of motors for input shaft types are not listed.
3、It is M1, When the mounting arrangement of the reducer is not mentioned. Degree=0°, if terminal box position is not mentioned. It is X, if cable entry position is not mentioned.
4、If specific rotation directions of output shaft or/and input shaft are specially requested, please contact our technology department, and make detailed description while placing order.

电机接线盒位置及入线口位置表示方法

Description of Motor Terminal Box Position and Cable Entry Position



安装形式图例 Mounting Arrangements Description



安装形式定义:

M1-电机水平放置; 减速机底脚朝下。

M2-电机居下。

M3-电机水平放置; 减速机底脚朝上。

M4-电机居上。

M5-电机水平放置; 当减速机在 M1 安装位置时, 从电机方向看, 减速机的左面旋转到下方位置。

M6-电机水平放置; 当减速机在 M1 安装位置时, 从电机方向看, 减速机的左面旋转到上方位置。

Mounting arrangements are defined as following:

M1-horizontally mounted motor,unit base is at bottom.

M2-motor is vertically mounted downwards.

M3-horizontally mounted motor,unit base is top.

M4-motor is vertically mounted upwards.

M5-horizontally mounted motor,if placed on M1 position,left side of unit turns to bottom(view point:towards from motor side).

M6-horizontally mounted motor,if placed on M1 position,left side of unit turns to top(view point:towards from motor side).

减速机重量 Gear Unit Weight

机型号 Type size	GS39	GS49	GS59	GS69	GS79	GS89	GS99	GS109
重量(kg) Weight	7	10	14	26	50	95	170	240

注:重量为平均值, 不包括电机、联接法兰, 仅供参考。

(Note: The weights mean values without the motor and IEC flange, only for reference.)

选型参数表注释 Description of Selection Table

恒功率 Constant power

n_a [r/min]	M_a [N.m]	i	F_{Ra} [kN]	f_B	机型号 Type size	极数 Pole
↓	↓	↓	↓	↓		
输出转速 Output speed	输出转矩 Output torque	减速比 Ratio	许用径向载荷 Permissible radial load	使用系数 Service factor		

恒转矩 Constant torque

M_{max} [N.m]	n_a [r/min]	i	F_{Ra} [kN]	机型号 Type size	P [kW]/4P
↓	↓	↓	↓		↓
最大输出转矩 Max.output torque	输出转速 Output speed	减速比 Ratio	许用径向载荷 Permissible radial load		电机功率 Motor power

选型参数表
(恒功率)
Selection Table
(Constant Power)

n_a [r/min]	M_a [N.m]	i	F_{Ra} [kN]	f_B	机型号 Type size	极数 Pole	n_a [r/min]	M_a [N.m]	i	F_{Ra} [kN]	f_B	机型号 Type size	极数 Pole	
0.12kW							0.12kW							
0.10	7447	12901	40	0.85	GS109R79	4P	8.3	67	157.43	2.9	1.10			
0.11	6757	11708	40	0.95	GSF109R79		9.1	61	144.40	2.9	1.15			
					GSA109R79		11	54	122.94	2.9	1.20			
					GSAF109R79		12	47	106.00	2.9	1.30			
0.12	4275	11267	27	0.90	GS99R59	4P	13	44	98.80	2.9	1.30	GS39	4P	
0.13	3906	10078	31	1.10	GSF99R59		15	40	86.36	2.9	1.40	GSF39		
0.15	3240	8608	32	1.25	GSA99R59		16	37	80.96	2.9	1.40	GSA39		
0.17	2862	7554	33	1.45	GSAF99R59		18	33	71.44	2.9	1.45	GSAF39		
0.20	2421	6706	26	1.05	GS89R59		21	30	63.33	2.9	1.55			
0.22	2160	5875	26	1.15	GSF89R59		23	32	55.93	2.9	1.50			
0.25	1791	5187	27	1.30	GSA89R59	26	30	51.30	2.9	1.55				
0.28	1593	4606	27	1.40	GSAF89R59	30	25	43.68	2.9	1.65				
0.34	1323	3872	28	1.55			35	23	37.66	2.9	1.75			
0.37	1233	3540	9.2	0.95			37	21	35.10	2.9	1.75			
0.42	1080	3098	12	1.10			43	18	30.68	2.9	1.85			
0.48	1139	2753	11	1.05			46	17	28.76	2.9	1.90	GS39		
0.55	1197	2374	11	0.90	GS79R39	4P	52	15	25.38	2.9	2.00	GSF39		
0.63	1053	2083	12	1.10	GSF79R39		58	14	22.50	2.9	2.05	GSA39		
0.72	891	1813	13	1.30	GSA79R39		68	13	19.13	2.9	2.20	GSAF39		
0.75	846	1745	14	1.35	GSAF79R39		69	12	18.85	2.9	2.10			
0.82	774	1600	14	1.40			79	12	16.48	2.8	2.20			
0.93	680	1404	14	1.50			85	10	15.45	2.7	2.30			
1.1	594	1245	15	1.60										
1.1	531	1194	7.8	0.85										
1.3	477	1045	8.3	1.00										
1.4	414	914	8.8	1.10										
1.6	378	809	9.1	1.25	GS69R39	4P	0.16	7238	8360	40	0.90	GS109R79	4P	
1.8	333	712	9.4	1.40	GSF69R39							GSF109R79		
2.1	275	615	10	1.55	GSA69R39							GSAF109R79		
2.4	248	543	10	1.60	GSAF69R39									
2.8	203	469	10	1.75				0.28	2709	4606	20	0.95	GS89R59	4P
3.1	185	424	10	1.80				0.34	2268	3872	26	1.15	GSF89R59	
3.6	168	365	10	1.95									GSA89R59	
												GSAF89R59		
2.0	297	655	6.6	0.85			0.38	2187	3475	26	1.25		4P	
2.3	257	574	6.9	0.95			0.45	1827	2905	27	1.40	GS89R59		
2.6	225	506	7.2	1.10	GS59R19	4P	0.51	1584	2586	27	1.55	GSF89R59		
3.0	194	438	7.4	1.25	GSF59R19		0.56	1413	2335	27	1.60	GSA89R59		
3.4	170	388	7.5	1.35	GSA59R19		0.64	1224	2054	28	1.70	GSAF89R59		
3.9	152	336	7.6	1.45	GSAF59R19		0.72	1089	1824	28	1.80			
4.5	131	294	7.7	1.55				0.80	972	1631	28	1.85		
4.9	125	269	7.7	1.60										
								0.93	1125	1404	11	1.10	GS79R39	4P
3.0	194	438	4.8	0.80			1.1	990	1245	13	1.20	GSF79R39		
3.4	170	388	4.9	0.85								GSA79R39		
3.9	152	336	5.1	0.95	GS49R19	4P						GSAF79R39		
4.5	129	294	5.2	1.10	GSF49R19		1.8	540	712	7.7	0.95			
5.1	88	257	5.4	1.40	GSA49R19		2.1	455	615	8.5	1.10	GS69R39		
5.7	106	229	5.3	1.30	GSAF49R19		2.4	405	543	8.9	1.20	GSF69R39		
6.6	92	200	5.3	1.35				2.8	342	469	9.3	1.40	GSA69R39	
7.0	86	187	5.4	1.40				3.1	306	424	9.5	1.50	GSAF69R39	
								3.6	275	365	10	1.60		
6.5	93	202	2.9	0.85			3.0	320	438	6.3	0.85		4P	
7.3	82	179	2.9	0.95	GS39R19	4P	3.4	284	388	6.7	0.90			
8.3	74	158	2.9	1.05	GSF39R19		3.9	248	336	7.0	1.05	GS59R19		
9.1	68	144	2.9	1.05	GSA39R19		4.5	216	294	7.2	1.20	GSF59R19		
11	55	118	2.9	1.15	GSAF39R19		4.9	203	269	7.3	1.30	GSA59R19		
12	51	110	2.9	1.15				5.7	174	229	7.5	1.40		GSAF59R19
								6.4	157	204	7.6	1.50		
								7.0	143	187	7.6	1.55		
6.5	86	201.00	5.4	1.55			4.5	231	294	4.7	0.80	GS49R19	4P	
7.1	80	184.80	5.4	1.60	GS49	5.1	173	257	5.1	1.10	GSF49R19			
8.3	69	158.12	5.5	1.65	GSF49	5.7	204	229	4.9	0.95	GSA49R19			
9.6	61	137.05	5.5	1.80	GSA49	6.6	179	200	5.1	1.05	GSAF49R19			
10	58	128.10	5.5	1.80	GSAF49									
12	51	110.73	5.5	1.90										

选型参数表
(恒功率)
Selection Table
(Constant Power)

n_a [r/min]	M_a [N.m]	i	F_{Ra} [kN]	f_B	机型号 Type size	极数 Pole	n_a [r/min]	M_a [N.m]	i	F_{Ra} [kN]	f_B	机型号 Type size	极数 Pole																																																																																																																																																																																																																																																																																																																																																																																																																																																																																																																																																																																																																																																																																																																																																																																																																																												
0.18kW							0.25kW																																																																																																																																																																																																																																																																																																																																																																																																																																																																																																																																																																																																																																																																																																																																																																																																																																																		
7.0	168	187	5.1	1.10	GS49R19	4P	0.46	2637	2905	23	0.85	GS89R59 GSF89R59 GSA89R59 GSAF89R59	4P																																																																																																																																																																																																																																																																																																																																																																																																																																																																																																																																																																																																																																																																																																																																																																																																																																												
7.9	124	165	5.2	1.20	GSF49R19		8.9	112	148	5.3	1.25			GSA49R19	10	99	131	5.3	1.35	GSAF49R19	3.9	227	217.41	10	1.80	GS69	6P	0.51	2304	2586	26	1.00	GS79R39 GSF79R39 GSA79R39 GSAF79R39	4P	4.5	202	190.11	10	1.90	GSF69	4.7	194	180.60	10	1.95	GSA69 GSAF69	4.2	198	201.00	7.3	1.35	GS59	4.6	185	184.80	7.4	1.40	GSF59	5.4	162	158.12	7.5	1.50	GSA59	6.2	143	137.05	7.6	1.55	GSAF59	6.5	139	201.00	7.6	1.65	GS59	7.1	129	184.80	7.6	1.70	GSF59	8.3	113	158.12	7.7	1.80	GSA59	9.6	99	137.05	7.8	1.90	GSAF59	4.2	194	201.00	4.8	0.85	GS49	6P	2.4	585	543	7.0	0.90	GS69R39 GSF69R39 GSA69R39 GSAF69R39	4P	4.6	179	184.80	4.9	0.90	GSF49	5.4	156	158.12	5.1	1.00	GSA49	6.2	138	137.05	5.1	1.10	GSAF49	6.6	130	128.10	5.2	1.20		6.5	134	201.00	5.2	1.20		7.1	124	184.80	5.2	1.30		8.3	109	158.12	5.3	1.35		9.6	96	137.05	5.3	1.45	GS49	10	90	128.10	5.4	1.50	GSF49	12	79	110.73	5.4	1.55	GSA49	14	69	94.08	5.5	1.65	GSAF49	16	62	84.00	5.5	1.75		18	54	71.75	5.5	1.85		19	62	69.39	5.5	1.70		8.3	104	157.43	2.8	0.85		9.1	96	144.40	2.8	0.90		11	84	122.94	2.8	1.00		12	74	106.00	2.8	1.05		13	69	98.80	2.8	1.05		15	61	86.36	2.8	1.15		16	58	80.96	2.8	1.15		18	52	71.44	2.8	1.20		21	47	63.33	2.8	1.25		23	50	55.93	2.8	1.20		26	46	51.30	2.8	1.25	GS39	30	40	43.68	2.8	1.35	GSF39	35	34	37.66	2.8	1.40	GSA39	37	32	35.10	2.8	1.45	GSAF39	43	29	30.68	2.8	1.50		46	27	28.76	2.8	1.55		52	24	25.38	2.8	1.60		58	22	22.50	2.8	1.70		68	20	19.13	2.8	1.80		69	19	18.85	2.8	1.75		79	17	16.48	2.7	1.80		85	16	15.45	2.6	1.85		96	14	13.63	2.5	1.95		108	13	12.08	2.5	2.00		128	11	10.27	2.4	2.15		0.25kW							2.9	392	217.41	8.9	1.20	GS69	8P								3.4	351	190.11	9.2	1.35	GSF69								3.5	333	180.60	9.3	1.45	GSA69								4.0	297	158.45	9.5	1.55	GSAF69								3.9	315	217.41	9.4	1.50	GS69	6P								4.5	279	190.11	10	1.60	GSF69								4.7	266	180.60	10	1.65	GSA69								5.4	239	158.45	10	1.75	GSAF69								6.1	221	217.41	10	1.85									7.0	198	190.11	10	1.95	GS69	4P								7.4	189	180.60	10	2.00	GSF69								8.4	168	158.45	10	2.10	GSA69								10	145	134.40	10	2.20	GSAF69								11	132	121.33	10	2.30									12	118	106.75	10	2.40									4.2	275	201.00	6.7	0.95	GS59	6P								4.6	257	184.80	6.9	1.00	GSF59								5.4	221	158.12	7.1	1.20	GSA59								6.2	198	137.05	7.3	1.35	GSAF59								6.6	185	128.10	7.4	1.35									6.6	194	201.00	7.3	1.40									7.2	180	184.80	7.4	1.45									8.4	158	158.12	7.5	1.55	GS59	4P								9.7	140	137.05	7.6	1.60	GSF59								10	131	128.10	7.6	1.65	GSA59								12	116	110.73	7.7	1.75	GSAF59								14	100	94.08	7.8	1.85									16	91	84.00	7.8	1.95									6.6	194	201.00	4.9	0.80									7.2	178	184.80	4.9	0.85									8.4	157	158.12	5.1	1.00	GS49	4P								9.7	136	137.05	5.2	1.10	GSF49								10	129	128.10	5.2	1.20	GSA49								12	113	110.73	5.3	1.35	GSAF49								14	98	94.08	5.3	1.40									16	89	84.00	5.4	1.45										
8.9	112	148	5.3	1.25	GSA49R19		10	99	131	5.3	1.35			GSAF49R19	3.9	227	217.41	10	1.80	GS69	6P	0.51	2304	2586	26	1.00		GS79R39 GSF79R39 GSA79R39 GSAF79R39	4P	4.5	202	190.11			10	1.90	GSF69	4.7	194	180.60	10	1.95	GSA69 GSAF69	4.2	198	201.00	7.3	1.35	GS59	4.6	185	184.80	7.4	1.40	GSF59	5.4	162	158.12	7.5	1.50	GSA59	6.2	143	137.05	7.6	1.55	GSAF59	6.5	139	201.00	7.6	1.65	GS59	7.1	129	184.80	7.6	1.70	GSF59	8.3	113	158.12	7.7	1.80	GSA59	9.6	99	137.05	7.8	1.90	GSAF59	4.2	194	201.00	4.8	0.85	GS49	6P	2.4	585		543	7.0	0.90	GS69R39 GSF69R39 GSA69R39 GSAF69R39	4P			4.6	179	184.80	4.9	0.90	GSF49	5.4	156	158.12	5.1	1.00	GSA49	6.2	138	137.05	5.1	1.10	GSAF49	6.6	130	128.10	5.2	1.20		6.5	134	201.00	5.2	1.20		7.1	124	184.80	5.2	1.30		8.3	109	158.12	5.3	1.35		9.6	96	137.05	5.3	1.45	GS49	10	90	128.10	5.4	1.50	GSF49	12	79	110.73	5.4	1.55	GSA49	14	69	94.08	5.5	1.65	GSAF49	16	62	84.00	5.5	1.75		18	54	71.75	5.5	1.85		19	62	69.39	5.5	1.70		8.3	104	157.43	2.8	0.85		9.1	96	144.40	2.8	0.90		11	84	122.94	2.8	1.00		12	74	106.00	2.8	1.05		13	69	98.80	2.8	1.05		15	61	86.36	2.8	1.15		16	58	80.96	2.8	1.15		18	52	71.44	2.8	1.20		21	47	63.33	2.8	1.25		23	50	55.93	2.8	1.20		26	46	51.30	2.8	1.25	GS39	30	40	43.68	2.8	1.35	GSF39	35	34	37.66	2.8	1.40	GSA39	37	32	35.10	2.8	1.45	GSAF39	43	29	30.68	2.8	1.50		46	27	28.76	2.8	1.55		52	24	25.38	2.8	1.60		58	22	22.50	2.8	1.70		68	20	19.13	2.8	1.80		69	19	18.85	2.8	1.75		79	17	16.48	2.7	1.80		85	16	15.45	2.6	1.85		96	14	13.63	2.5	1.95		108	13	12.08	2.5	2.00		128	11	10.27	2.4	2.15		0.25kW							2.9	392	217.41	8.9	1.20	GS69		8P								3.4	351	190.11	9.2	1.35	GSF69								3.5	333	180.60	9.3	1.45	GSA69								4.0	297	158.45	9.5	1.55	GSAF69								3.9	315	217.41	9.4	1.50		GS69	6P								4.5	279	190.11	10	1.60	GSF69								4.7	266	180.60	10	1.65	GSA69								5.4	239	158.45	10	1.75	GSAF69								6.1	221	217.41	10	1.85									7.0	198	190.11	10		1.95	GS69	4P								7.4	189	180.60	10	2.00	GSF69								8.4	168	158.45	10	2.10	GSA69								10	145	134.40	10	2.20	GSAF69								11	132	121.33	10	2.30									12	118	106.75	10	2.40									4.2	275	201.00		6.7	0.95	GS59	6P								4.6	257	184.80	6.9	1.00	GSF59								5.4	221	158.12	7.1	1.20	GSA59								6.2	198	137.05	7.3	1.35	GSAF59								6.6	185	128.10	7.4	1.35									6.6	194	201.00	7.3	1.40									7.2	180	184.80	7.4	1.45									8.4	158		158.12	7.5	1.55	GS59	4P								9.7	140	137.05	7.6	1.60	GSF59								10	131	128.10	7.6	1.65	GSA59								12	116	110.73	7.7	1.75	GSAF59								14	100	94.08	7.8	1.85									16	91	84.00	7.8	1.95									6.6	194	201.00	4.9	0.80									7.2	178	184.80	4.9	0.85									8.4		157	158.12	5.1	1.00	GS49	4P								9.7	136	137.05	5.2	1.10	GSF49								10	129	128.10	5.2	1.20	GSA49								12	113	110.73	5.3	1.35	GSAF49								14	98	94.08	5.3	1.40									16	89	84.00	5.4	1.45				
10	99	131	5.3	1.35	GSAF49R19		3.9	227	217.41	10	1.80			GS69	6P	0.51	2304	2586	26	1.00		GS79R39 GSF79R39 GSA79R39 GSAF79R39	4P	4.5	202	190.11				10	1.90	GSF69			4.7	194	180.60	10	1.95	GSA69 GSAF69	4.2	198	201.00	7.3	1.35	GS59	4.6	185	184.80	7.4	1.40	GSF59	5.4	162	158.12	7.5	1.50	GSA59	6.2	143	137.05	7.6	1.55	GSAF59	6.5	139	201.00	7.6	1.65	GS59	7.1	129	184.80	7.6	1.70	GSF59	8.3	113	158.12	7.7	1.80	GSA59	9.6	99	137.05	7.8	1.90	GSAF59	4.2	194	201.00	4.8	0.85	GS49	6P	2.4	585		543	7.0		0.90	GS69R39 GSF69R39 GSA69R39 GSAF69R39	4P					4.6	179	184.80	4.9	0.90	GSF49	5.4	156	158.12	5.1	1.00	GSA49	6.2	138	137.05	5.1	1.10	GSAF49	6.6	130	128.10	5.2	1.20		6.5	134	201.00	5.2	1.20		7.1	124	184.80	5.2	1.30		8.3	109	158.12	5.3	1.35		9.6	96	137.05	5.3	1.45	GS49	10	90	128.10	5.4	1.50	GSF49	12	79	110.73	5.4	1.55	GSA49	14	69	94.08	5.5	1.65	GSAF49	16	62	84.00	5.5	1.75		18	54	71.75	5.5	1.85		19	62	69.39	5.5	1.70		8.3	104	157.43	2.8	0.85		9.1	96	144.40	2.8	0.90		11	84	122.94	2.8	1.00		12	74	106.00	2.8	1.05		13	69	98.80	2.8	1.05		15	61	86.36	2.8	1.15		16	58	80.96	2.8	1.15		18	52	71.44	2.8	1.20		21	47	63.33	2.8	1.25		23	50	55.93	2.8	1.20		26	46	51.30	2.8	1.25	GS39	30	40	43.68	2.8	1.35	GSF39	35	34	37.66	2.8	1.40	GSA39	37	32	35.10	2.8	1.45	GSAF39	43	29	30.68	2.8	1.50		46	27	28.76	2.8	1.55		52	24	25.38	2.8	1.60		58	22	22.50	2.8	1.70		68	20	19.13	2.8	1.80		69	19	18.85	2.8	1.75		79	17	16.48	2.7	1.80		85	16	15.45	2.6	1.85		96	14	13.63	2.5	1.95		108	13	12.08	2.5	2.00		128	11	10.27	2.4	2.15		0.25kW							2.9	392	217.41	8.9	1.20	GS69			8P								3.4	351	190.11	9.2	1.35	GSF69								3.5	333	180.60	9.3	1.45	GSA69								4.0	297	158.45	9.5	1.55	GSAF69								3.9	315	217.41	9.4		1.50		GS69	6P								4.5	279	190.11	10	1.60	GSF69								4.7	266	180.60	10	1.65	GSA69								5.4	239	158.45	10	1.75	GSAF69								6.1	221	217.41	10	1.85									7.0	198		190.11	10		1.95	GS69	4P								7.4	189	180.60	10	2.00	GSF69								8.4	168	158.45	10	2.10	GSA69								10	145	134.40	10	2.20	GSAF69								11	132	121.33	10	2.30									12	118	106.75	10	2.40										4.2	275	201.00		6.7	0.95	GS59	6P								4.6	257	184.80	6.9	1.00	GSF59								5.4	221	158.12	7.1	1.20	GSA59								6.2	198	137.05	7.3	1.35	GSAF59								6.6	185	128.10	7.4	1.35									6.6	194	201.00	7.3	1.40									7.2	180	184.80	7.4	1.45									8.4	158	158.12		7.5	1.55	GS59	4P								9.7	140	137.05	7.6	1.60	GSF59								10	131	128.10	7.6	1.65	GSA59								12	116	110.73	7.7	1.75	GSAF59								14	100	94.08	7.8	1.85									16	91	84.00	7.8	1.95									6.6	194	201.00	4.9	0.80									7.2	178	184.80	4.9	0.85									8.4	157	158.12		5.1	1.00	GS49	4P								9.7	136	137.05	5.2	1.10	GSF49								10	129	128.10	5.2	1.20	GSA49								12	113	110.73	5.3	1.35	GSAF49								14	98	94.08	5.3	1.40									16	89	84.00	5.4	1.45
3.9	227	217.41	10	1.80	GS69	6P	0.51	2304	2586	26	1.00			GS79R39 GSF79R39 GSA79R39 GSAF79R39		4P																																																																																																																																																																																																																																																																																																																																																																																																																																																																																																																																																																																																																																																																																																																																																																																																																																									
4.5	202	190.11	10	1.90	GSF69		4.7	194	180.60	10	1.95						GSA69 GSAF69	4.2	198	201.00	7.3			1.35	GS59	4.6	185			184.80	7.4	1.40			GSF59	5.4	162	158.12	7.5	1.50	GSA59	6.2	143	137.05	7.6	1.55	GSAF59	6.5	139	201.00	7.6	1.65	GS59	7.1	129	184.80	7.6	1.70	GSF59	8.3	113	158.12	7.7	1.80	GSA59	9.6	99	137.05	7.8	1.90	GSAF59	4.2	194	201.00	4.8	0.85	GS49	6P	2.4	585	543	7.0	0.90	GS69R39 GSF69R39 GSA69R39 GSAF69R39	4P	4.6	179	184.80	4.9	0.90	GSF49	5.4	156	158.12		5.1	1.00		GSA49	6.2	138	137.05							5.1	1.10	GSAF49	6.6	130	128.10	5.2	1.20		6.5	134	201.00	5.2	1.20		7.1	124	184.80	5.2	1.30		8.3	109	158.12	5.3	1.35		9.6	96	137.05	5.3	1.45	GS49	10	90	128.10	5.4	1.50	GSF49	12	79	110.73	5.4	1.55	GSA49	14	69	94.08	5.5	1.65	GSAF49	16	62	84.00	5.5	1.75		18	54	71.75	5.5	1.85		19	62	69.39	5.5	1.70		8.3	104	157.43	2.8	0.85		9.1	96	144.40	2.8	0.90		11	84	122.94	2.8	1.00		12	74	106.00	2.8	1.05		13	69	98.80	2.8	1.05		15	61	86.36	2.8	1.15		16	58	80.96	2.8	1.15		18	52	71.44	2.8	1.20		21	47	63.33	2.8	1.25		23	50	55.93	2.8	1.20		26	46	51.30	2.8	1.25	GS39	30	40	43.68	2.8	1.35	GSF39	35	34	37.66	2.8	1.40	GSA39	37	32	35.10	2.8	1.45	GSAF39	43	29	30.68	2.8	1.50		46	27	28.76	2.8	1.55		52	24	25.38	2.8	1.60		58	22	22.50	2.8	1.70		68	20	19.13	2.8	1.80		69	19	18.85	2.8	1.75		79	17	16.48	2.7	1.80		85	16	15.45	2.6	1.85		96	14	13.63	2.5	1.95		108	13	12.08	2.5	2.00		128	11	10.27	2.4	2.15		0.25kW							2.9	392	217.41	8.9	1.20	GS69	8P								3.4	351	190.11	9.2	1.35	GSF69								3.5	333	180.60	9.3	1.45	GSA69								4.0	297	158.45	9.5	1.55	GSAF69								3.9	315	217.41	9.4	1.50	GS69	6P								4.5	279	190.11	10	1.60	GSF69								4.7	266	180.60	10	1.65	GSA69								5.4	239	158.45	10	1.75	GSAF69								6.1	221	217.41	10	1.85									7.0	198	190.11	10	1.95	GS69	4P								7.4	189	180.60	10	2.00	GSF69									8.4	168	158.45	10	2.10	GSA69								10	145	134.40	10	2.20	GSAF69								11	132	121.33	10	2.30									12	118	106.75	10	2.40									4.2	275	201.00	6.7	0.95	GS59	6P								4.6	257	184.80	6.9	1.00	GSF59										5.4	221	158.12	7.1	1.20	GSA59								6.2	198	137.05	7.3	1.35	GSAF59								6.6	185	128.10	7.4	1.35									6.6	194	201.00	7.3	1.40									7.2	180	184.80	7.4	1.45									8.4	158	158.12	7.5	1.55	GS59	4P								9.7	140	137.05	7.6		1.60	GSF59								10	131	128.10	7.6	1.65	GSA59								12	116	110.73	7.7	1.75	GSAF59								14	100	94.08	7.8	1.85									16	91	84.00	7.8	1.95									6.6	194	201.00	4.9	0.80									7.2	178	184.80	4.9	0.85									8.4	157	158.12	5.1	1.00	GS49	4P								9.7	136	137.05		5.2	1.10	GSF49								10	129	128.10	5.2	1.20	GSA49								12	113	110.73	5.3	1.35	GSAF49								14	98	94.08	5.3	1.40									16	89	84.00	5.4	1.45																				
4.7	194	180.60	10	1.95	GSA69 GSAF69		4.2	198	201.00	7.3	1.35				GS59		4.6	185	184.80	7.4	1.40			GSF59	5.4	162	158.12			7.5	1.50	GSA59			6.2	143	137.05	7.6	1.55	GSAF59	6.5	139	201.00	7.6	1.65	GS59	7.1	129	184.80	7.6	1.70	GSF59	8.3	113	158.12	7.7	1.80	GSA59	9.6	99	137.05	7.8	1.90	GSAF59	4.2	194	201.00	4.8	0.85	GS49	6P	2.4	585	543	7.0	0.90	GS69R39 GSF69R39 GSA69R39 GSAF69R39		4P	4.6	179	184.80	4.9			0.90	GSF49	5.4	156	158.12	5.1	1.00	GSA49	6.2		138	137.05	5.1	1.10	GSAF49	6.6	130							128.10	5.2	1.20		6.5	134	201.00	5.2	1.20		7.1	124	184.80	5.2	1.30		8.3	109	158.12	5.3	1.35		9.6	96	137.05	5.3	1.45	GS49	10	90	128.10	5.4	1.50	GSF49	12	79	110.73	5.4	1.55	GSA49	14	69	94.08	5.5	1.65	GSAF49	16	62	84.00	5.5	1.75		18	54	71.75	5.5	1.85		19	62	69.39	5.5	1.70		8.3	104	157.43	2.8	0.85		9.1	96	144.40	2.8	0.90		11	84	122.94	2.8	1.00		12	74	106.00	2.8	1.05		13	69	98.80	2.8	1.05		15	61	86.36	2.8	1.15		16	58	80.96	2.8	1.15		18	52	71.44	2.8	1.20		21	47	63.33	2.8	1.25		23	50	55.93	2.8	1.20		26	46	51.30	2.8	1.25	GS39	30	40	43.68	2.8	1.35	GSF39	35	34	37.66	2.8	1.40	GSA39	37	32	35.10	2.8	1.45	GSAF39	43	29	30.68	2.8	1.50		46	27	28.76	2.8	1.55		52	24	25.38	2.8	1.60		58	22	22.50	2.8	1.70		68	20	19.13	2.8	1.80		69	19	18.85	2.8	1.75		79	17	16.48	2.7	1.80		85	16	15.45	2.6	1.85		96	14	13.63	2.5	1.95		108	13	12.08	2.5	2.00		128	11	10.27	2.4	2.15		0.25kW							2.9	392	217.41	8.9	1.20	GS69	8P								3.4	351	190.11	9.2	1.35	GSF69								3.5		333	180.60	9.3	1.45	GSA69								4.0	297	158.45	9.5	1.55	GSAF69								3.9	315	217.41	9.4	1.50	GS69	6P								4.5	279	190.11	10	1.60	GSF69								4.7	266	180.60	10	1.65	GSA69								5.4	239	158.45	10	1.75	GSAF69								6.1	221	217.41	10	1.85									7.0	198	190.11	10	1.95	GS69	4P								7.4	189	180.60	10	2.00	GSF69								8.4		168	158.45		10	2.10	GSA69								10	145	134.40	10	2.20	GSAF69								11	132	121.33	10	2.30									12	118	106.75	10	2.40									4.2	275	201.00	6.7	0.95	GS59	6P								4.6	257	184.80	6.9	1.00	GSF59									5.4	221	158.12		7.1	1.20	GSA59								6.2	198	137.05	7.3	1.35	GSAF59								6.6	185	128.10	7.4	1.35									6.6	194	201.00	7.3	1.40									7.2	180	184.80	7.4	1.45									8.4	158	158.12	7.5	1.55	GS59	4P								9.7	140	137.05	7.6	1.60	GSF59								10	131	128.10		7.6	1.65	GSA59								12	116	110.73	7.7	1.75	GSAF59								14	100	94.08	7.8	1.85									16	91	84.00	7.8	1.95									6.6	194	201.00	4.9	0.80									7.2	178	184.80	4.9	0.85									8.4	157	158.12	5.1	1.00	GS49	4P								9.7	136	137.05	5.2	1.10	GSF49									10	129		128.10	5.2	1.20	GSA49								12	113	110.73	5.3	1.35	GSAF49								14	98	94.08	5.3	1.40									16	89	84.00	5.4	1.45																						
4.2	198	201.00	7.3	1.35	GS59	4.6	185	184.80	7.4	1.40	GSF59				5.4		162	158.12	7.5	1.50	GSA59			6.2	143	137.05	7.6			1.55	GSAF59	6.5			139	201.00	7.6	1.65	GS59	7.1	129	184.80	7.6	1.70	GSF59	8.3	113	158.12	7.7	1.80	GSA59	9.6	99	137.05	7.8	1.90	GSAF59	4.2	194	201.00	4.8	0.85	GS49	6P	2.4	585	543	7.0	0.90	GS69R39 GSF69R39 GSA69R39 GSAF69R39		4P	4.6	179	184.80	4.9				0.90	GSF49	5.4	156			158.12	5.1	1.00	GSA49	6.2	138	137.05	5.1	1.10	GSAF49	6.6	130	128.10	5.2	1.20		6.5							134	201.00	5.2	1.20		7.1	124	184.80	5.2	1.30		8.3	109	158.12	5.3	1.35		9.6	96	137.05	5.3	1.45	GS49	10	90	128.10	5.4	1.50	GSF49	12	79	110.73	5.4	1.55	GSA49	14	69	94.08	5.5	1.65	GSAF49	16	62	84.00	5.5	1.75		18	54	71.75	5.5	1.85		19	62	69.39	5.5	1.70		8.3	104	157.43	2.8	0.85		9.1	96	144.40	2.8	0.90		11	84	122.94	2.8	1.00		12	74	106.00	2.8	1.05		13	69	98.80	2.8	1.05		15	61	86.36	2.8	1.15		16	58	80.96	2.8	1.15		18	52	71.44	2.8	1.20		21	47	63.33	2.8	1.25		23	50	55.93	2.8	1.20		26	46	51.30	2.8	1.25	GS39	30	40	43.68	2.8	1.35	GSF39	35	34	37.66	2.8	1.40	GSA39	37	32	35.10	2.8	1.45	GSAF39	43	29	30.68	2.8	1.50		46	27	28.76	2.8	1.55		52	24	25.38	2.8	1.60		58	22	22.50	2.8	1.70		68	20	19.13	2.8	1.80		69	19	18.85	2.8	1.75		79	17	16.48	2.7	1.80		85	16	15.45	2.6	1.85		96	14	13.63	2.5	1.95		108	13	12.08	2.5	2.00		128	11	10.27	2.4	2.15		0.25kW							2.9	392	217.41	8.9	1.20	GS69	8P								3.4	351		190.11	9.2	1.35	GSF69								3.5	333	180.60	9.3	1.45	GSA69								4.0	297	158.45	9.5	1.55	GSAF69								3.9	315	217.41	9.4	1.50	GS69	6P								4.5		279	190.11	10	1.60	GSF69								4.7	266	180.60	10	1.65	GSA69								5.4	239	158.45	10	1.75	GSAF69								6.1	221	217.41	10	1.85									7.0	198	190.11	10	1.95	GS69	4P									7.4	189	180.60	10	2.00	GSF69								8.4	168	158.45	10		2.10	GSA69									10	145	134.40	10	2.20	GSAF69								11	132	121.33	10	2.30									12	118	106.75	10	2.40									4.2	275	201.00	6.7	0.95	GS59	6P								4.6	257	184.80	6.9	1.00	GSF59								5.4	221	158.12	7.1	1.20	GSA59								6.2	198	137.05	7.3	1.35	GSAF59								6.6	185	128.10	7.4	1.35									6.6	194	201.00	7.3	1.40									7.2	180	184.80	7.4	1.45									8.4	158	158.12	7.5	1.55	GS59	4P									9.7	140	137.05	7.6	1.60	GSF59								10	131	128.10		7.6	1.65	GSA59									12	116	110.73	7.7	1.75	GSAF59								14	100	94.08	7.8	1.85									16	91	84.00	7.8	1.95									6.6	194	201.00	4.9	0.80									7.2	178	184.80	4.9	0.85									8.4	157	158.12	5.1	1.00	GS49	4P								9.7	136	137.05	5.2	1.10	GSF49								10	129		128.10	5.2	1.20		GSA49								12	113	110.73	5.3	1.35	GSAF49								14	98	94.08	5.3	1.40									16	89	84.00	5.4	1.45																									
4.6	185	184.80	7.4	1.40	GSF59	5.4	162	158.12	7.5	1.50	GSA59				6.2		143	137.05	7.6	1.55	GSAF59			6.5	139	201.00	7.6			1.65	GS59	7.1			129	184.80	7.6	1.70	GSF59	8.3	113	158.12	7.7	1.80	GSA59	9.6	99	137.05	7.8	1.90	GSAF59	4.2	194	201.00	4.8	0.85	GS49	6P	2.4	585	543	7.0	0.90		GS69R39 GSF69R39 GSA69R39 GSAF69R39	4P	4.6	179	184.80				4.9	0.90	GSF49	5.4				156	158.12	5.1	1.00			GSA49	6.2	138	137.05	5.1	1.10	GSAF49	6.6	130	128.10	5.2	1.20		6.5	134	201.00	5.2							1.20		7.1	124	184.80	5.2	1.30		8.3	109	158.12	5.3	1.35		9.6	96	137.05	5.3	1.45	GS49	10	90	128.10	5.4	1.50	GSF49	12	79	110.73	5.4	1.55	GSA49	14	69	94.08	5.5	1.65	GSAF49	16	62	84.00	5.5	1.75		18	54	71.75	5.5	1.85		19	62	69.39	5.5	1.70		8.3	104	157.43	2.8	0.85		9.1	96	144.40	2.8	0.90		11	84	122.94	2.8	1.00		12	74	106.00	2.8	1.05		13	69	98.80	2.8	1.05		15	61	86.36	2.8	1.15		16	58	80.96	2.8	1.15		18	52	71.44	2.8	1.20		21	47	63.33	2.8	1.25		23	50	55.93	2.8	1.20		26	46	51.30	2.8	1.25	GS39	30	40	43.68	2.8	1.35	GSF39	35	34	37.66	2.8	1.40	GSA39	37	32	35.10	2.8	1.45	GSAF39	43	29	30.68	2.8	1.50		46	27	28.76	2.8	1.55		52	24	25.38	2.8	1.60		58	22	22.50	2.8	1.70		68	20	19.13	2.8	1.80		69	19	18.85	2.8	1.75		79	17	16.48	2.7	1.80		85	16	15.45	2.6	1.85		96	14	13.63	2.5	1.95		108	13	12.08	2.5	2.00		128	11	10.27	2.4	2.15		0.25kW							2.9	392	217.41	8.9	1.20	GS69	8P									3.4	351	190.11	9.2		1.35	GSF69								3.5	333	180.60	9.3	1.45	GSA69								4.0	297	158.45	9.5	1.55	GSAF69								3.9	315	217.41	9.4	1.50	GS69	6P								4.5	279	190.11	10	1.60	GSF69								4.7	266	180.60	10	1.65	GSA69								5.4	239	158.45	10	1.75	GSAF69								6.1	221	217.41	10	1.85									7.0	198	190.11	10	1.95	GS69	4P								7.4	189	180.60		10	2.00	GSF69								8.4	168	158.45	10	2.10	GSA69								10	145	134.40	10	2.20	GSAF69								11	132	121.33	10	2.30									12	118	106.75	10	2.40									4.2	275	201.00	6.7	0.95	GS59	6P									4.6	257		184.80	6.9	1.00	GSF59								5.4	221	158.12	7.1	1.20	GSA59								6.2	198	137.05	7.3	1.35	GSAF59								6.6	185	128.10	7.4	1.35									6.6	194	201.00	7.3	1.40									7.2	180	184.80	7.4	1.45									8.4	158	158.12	7.5	1.55	GS59	4P									9.7	140		137.05	7.6	1.60	GSF59								10	131	128.10	7.6	1.65	GSA59								12	116	110.73	7.7	1.75	GSAF59								14	100	94.08	7.8	1.85									16	91	84.00	7.8	1.95									6.6	194	201.00	4.9	0.80									7.2	178	184.80	4.9	0.85									8.4	157	158.12	5.1	1.00	GS49	4P								9.7	136		137.05	5.2	1.10	GSF49								10	129	128.10	5.2	1.20	GSA49								12	113	110.73	5.3	1.35	GSAF49								14	98	94.08	5.3	1.40									16	89	84.00	5.4	1.45																														
5.4	162	158.12	7.5	1.50	GSA59	6.2	143	137.05	7.6	1.55	GSAF59				6.5		139	201.00	7.6	1.65	GS59			7.1	129	184.80	7.6			1.70	GSF59	8.3			113	158.12	7.7	1.80	GSA59	9.6	99	137.05	7.8	1.90	GSAF59	4.2	194	201.00	4.8	0.85	GS49	6P	2.4	585	543	7.0	0.90		GS69R39 GSF69R39 GSA69R39 GSAF69R39	4P	4.6	179	184.80				4.9	0.90	GSF49				5.4	156	158.12	5.1		1.00		GSA49	6.2	138	137.05			5.1	1.10	GSAF49	6.6	130	128.10	5.2	1.20		6.5	134	201.00	5.2	1.20		7.1	124							184.80	5.2	1.30		8.3	109	158.12	5.3	1.35		9.6	96	137.05	5.3	1.45	GS49	10	90	128.10	5.4	1.50	GSF49	12	79	110.73	5.4	1.55	GSA49	14	69	94.08	5.5	1.65	GSAF49	16	62	84.00	5.5	1.75		18	54	71.75	5.5	1.85		19	62	69.39	5.5	1.70		8.3	104	157.43	2.8	0.85		9.1	96	144.40	2.8	0.90		11	84	122.94	2.8	1.00		12	74	106.00	2.8	1.05		13	69	98.80	2.8	1.05		15	61	86.36	2.8	1.15		16	58	80.96	2.8	1.15		18	52	71.44	2.8	1.20		21	47	63.33	2.8	1.25		23	50	55.93	2.8	1.20		26	46	51.30	2.8	1.25	GS39	30	40	43.68	2.8	1.35	GSF39	35	34	37.66	2.8	1.40	GSA39	37	32	35.10	2.8	1.45	GSAF39	43	29	30.68	2.8	1.50		46	27	28.76	2.8	1.55		52	24	25.38	2.8	1.60		58	22	22.50	2.8	1.70		68	20	19.13	2.8	1.80		69	19	18.85	2.8	1.75		79	17	16.48	2.7	1.80		85	16	15.45	2.6	1.85		96	14	13.63	2.5	1.95		108	13	12.08	2.5	2.00		128	11	10.27	2.4	2.15		0.25kW							2.9	392	217.41	8.9	1.20	GS69	8P								3.4	351	190.11	9.2		1.35	GSF69								3.5	333	180.60	9.3	1.45	GSA69								4.0	297	158.45	9.5	1.55	GSAF69								3.9	315	217.41	9.4	1.50	GS69	6P								4.5	279	190.11	10	1.60	GSF69								4.7	266	180.60	10	1.65	GSA69								5.4	239	158.45	10	1.75	GSAF69								6.1	221	217.41	10	1.85									7.0	198	190.11	10	1.95	GS69	4P									7.4	189	180.60		10	2.00	GSF69									8.4	168	158.45	10	2.10	GSA69								10	145	134.40	10	2.20	GSAF69								11	132	121.33	10	2.30									12	118	106.75	10	2.40									4.2	275	201.00	6.7	0.95	GS59	6P									4.6	257		184.80	6.9		1.00	GSF59								5.4	221	158.12	7.1	1.20	GSA59								6.2	198	137.05	7.3	1.35	GSAF59								6.6	185	128.10	7.4	1.35									6.6	194	201.00	7.3	1.40									7.2	180	184.80	7.4	1.45									8.4	158	158.12	7.5	1.55	GS59	4P								9.7	140		137.05	7.6		1.60	GSF59								10	131	128.10	7.6	1.65	GSA59								12	116	110.73	7.7	1.75	GSAF59								14	100	94.08	7.8	1.85									16	91	84.00	7.8	1.95									6.6	194	201.00	4.9	0.80									7.2	178	184.80	4.9	0.85									8.4	157	158.12	5.1	1.00	GS49	4P								9.7		136	137.05		5.2	1.10	GSF49								10	129	128.10	5.2	1.20	GSA49								12	113	110.73	5.3	1.35	GSAF49								14	98	94.08	5.3	1.40									16	89	84.00	5.4	1.45																															
6.2	143	137.05	7.6	1.55	GSAF59	6.5	139	201.00	7.6	1.65	GS59	7.1	129		184.80		7.6	1.70	GSF59	8.3	113			158.12	7.7	1.80	GSA59			9.6	99	137.05			7.8	1.90	GSAF59	4.2	194	201.00	4.8	0.85	GS49	6P	2.4	585	543	7.0	0.90	GS69R39 GSF69R39 GSA69R39 GSAF69R39	4P		4.6	179	184.80	4.9	0.90				GSF49	5.4	156				158.12	5.1	1.00		GSA49		6.2	138	137.05	5.1		1.10		GSAF49	6.6	130	128.10			5.2	1.20		6.5	134	201.00	5.2	1.20		7.1	124	184.80	5.2	1.30		8.3	109							158.12	5.3	1.35		9.6	96	137.05	5.3	1.45	GS49	10	90	128.10	5.4	1.50	GSF49	12	79	110.73	5.4	1.55	GSA49	14	69	94.08	5.5	1.65	GSAF49	16	62	84.00	5.5	1.75		18	54	71.75	5.5	1.85		19	62	69.39	5.5	1.70		8.3	104	157.43	2.8	0.85		9.1	96	144.40	2.8	0.90		11	84	122.94	2.8	1.00		12	74	106.00	2.8	1.05		13	69	98.80	2.8	1.05		15	61	86.36	2.8	1.15		16	58	80.96	2.8	1.15		18	52	71.44	2.8	1.20		21	47	63.33	2.8	1.25		23	50	55.93	2.8	1.20		26	46	51.30	2.8	1.25	GS39	30	40	43.68	2.8	1.35	GSF39	35	34	37.66	2.8	1.40	GSA39	37	32	35.10	2.8	1.45	GSAF39	43	29	30.68	2.8	1.50		46	27	28.76	2.8	1.55		52	24	25.38	2.8	1.60		58	22	22.50	2.8	1.70		68	20	19.13	2.8	1.80		69	19	18.85	2.8	1.75		79	17	16.48	2.7	1.80		85	16	15.45	2.6	1.85		96	14	13.63	2.5	1.95		108	13	12.08	2.5	2.00		128	11	10.27	2.4	2.15		0.25kW							2.9	392	217.41	8.9	1.20	GS69	8P								3.4	351		190.11	9.2		1.35	GSF69								3.5	333	180.60	9.3	1.45	GSA69								4.0	297	158.45	9.5	1.55	GSAF69								3.9	315	217.41	9.4	1.50	GS69	6P								4.5	279		190.11	10	1.60	GSF69								4.7	266	180.60	10	1.65	GSA69								5.4	239	158.45	10	1.75	GSAF69								6.1	221	217.41	10	1.85									7.0	198	190.11	10	1.95	GS69	4P								7.4		189	180.60		10	2.00	GSF69									8.4	168	158.45	10	2.10	GSA69								10	145	134.40	10	2.20	GSAF69								11	132	121.33	10	2.30									12	118	106.75	10	2.40									4.2	275	201.00	6.7	0.95	GS59	6P								4.6	257	184.80	6.9		1.00	GSF59									5.4	221	158.12	7.1	1.20	GSA59								6.2	198	137.05	7.3	1.35	GSAF59								6.6	185	128.10	7.4	1.35									6.6	194	201.00	7.3	1.40									7.2	180	184.80	7.4	1.45									8.4	158	158.12	7.5	1.55	GS59	4P								9.7	140		137.05	7.6	1.60	GSF59									10	131	128.10	7.6	1.65	GSA59								12	116	110.73	7.7	1.75	GSAF59								14	100	94.08	7.8	1.85									16	91	84.00	7.8	1.95									6.6	194	201.00	4.9	0.80									7.2	178	184.80	4.9	0.85									8.4	157	158.12	5.1	1.00	GS49	4P								9.7	136	137.05		5.2	1.10		GSF49								10	129	128.10	5.2	1.20	GSA49								12	113	110.73	5.3	1.35	GSAF49								14	98	94.08	5.3	1.40									16	89	84.00	5.4	1.45																																				
6.5	139	201.00	7.6	1.65	GS59	7.1	129	184.80	7.6	1.70	GSF59	8.3	113		158.12		7.7	1.80	GSA59	9.6	99			137.05	7.8	1.90	GSAF59			4.2	194	201.00	4.8	0.85	GS49	6P	2.4	585	543	7.0	0.90	GS69R39 GSF69R39 GSA69R39 GSAF69R39	4P		4.6	179	184.80	4.9	0.90				GSF49	5.4	156	158.12	5.1				1.00	GSA49	6.2	138			137.05	5.1	1.10		GSAF49		6.6	130	128.10	5.2		1.20			6.5	134	201.00			5.2	1.20		7.1	124	184.80	5.2	1.30		8.3	109	158.12	5.3	1.35		9.6	96					137.05	5.3	1.45	GS49	10	90	128.10	5.4	1.50	GSF49	12	79	110.73	5.4	1.55	GSA49	14	69	94.08	5.5	1.65	GSAF49	16	62	84.00	5.5	1.75		18	54	71.75	5.5	1.85		19	62	69.39	5.5	1.70		8.3	104	157.43	2.8	0.85		9.1	96	144.40	2.8	0.90		11	84	122.94	2.8	1.00		12	74	106.00	2.8	1.05		13	69	98.80	2.8	1.05		15	61	86.36	2.8	1.15		16	58	80.96	2.8	1.15		18	52	71.44	2.8	1.20		21	47	63.33	2.8	1.25		23	50	55.93	2.8	1.20		26	46	51.30	2.8	1.25	GS39	30	40	43.68	2.8	1.35	GSF39	35	34	37.66	2.8	1.40	GSA39	37	32	35.10	2.8	1.45	GSAF39	43	29	30.68	2.8	1.50		46	27	28.76	2.8	1.55		52	24	25.38	2.8	1.60		58	22	22.50	2.8	1.70		68	20	19.13	2.8	1.80		69	19	18.85	2.8	1.75		79	17	16.48	2.7	1.80		85	16	15.45	2.6	1.85		96	14	13.63	2.5	1.95		108	13	12.08	2.5	2.00		128	11	10.27	2.4	2.15		0.25kW							2.9	392	217.41	8.9	1.20	GS69	8P									3.4	351	190.11	9.2	1.35		GSF69								3.5	333	180.60	9.3	1.45	GSA69								4.0	297	158.45	9.5	1.55	GSAF69								3.9	315	217.41	9.4	1.50	GS69	6P									4.5	279	190.11	10		1.60	GSF69								4.7	266	180.60	10	1.65	GSA69								5.4	239	158.45	10	1.75	GSAF69								6.1	221	217.41	10	1.85									7.0	198	190.11	10	1.95	GS69	4P								7.4	189	180.60		10	2.00	GSF69								8.4		168	158.45	10	2.10	GSA69								10	145	134.40	10	2.20	GSAF69								11	132	121.33	10	2.30									12	118	106.75	10	2.40									4.2	275	201.00	6.7	0.95	GS59	6P									4.6	257	184.80		6.9	1.00		GSF59								5.4	221	158.12	7.1	1.20	GSA59								6.2	198	137.05	7.3	1.35	GSAF59								6.6	185	128.10	7.4	1.35									6.6	194	201.00	7.3	1.40									7.2	180	184.80	7.4	1.45									8.4	158	158.12	7.5	1.55	GS59	4P								9.7	140	137.05	7.6		1.60		GSF59								10	131	128.10	7.6	1.65	GSA59								12	116	110.73	7.7	1.75	GSAF59								14	100	94.08	7.8	1.85									16	91	84.00	7.8	1.95									6.6	194	201.00	4.9	0.80									7.2	178	184.80	4.9	0.85									8.4	157	158.12	5.1	1.00	GS49	4P								9.7	136	137.05	5.2		1.10		GSF49								10	129	128.10	5.2	1.20	GSA49								12	113	110.73	5.3	1.35	GSAF49								14	98	94.08	5.3	1.40									16	89	84.00	5.4	1.45																																											
7.1	129	184.80	7.6	1.70	GSF59	8.3	113	158.12	7.7	1.80	GSA59	9.6	99		137.05		7.8	1.90	GSAF59	4.2	194			201.00	4.8	0.85	GS49	6P	2.4	585	543	7.0	0.90	GS69R39 GSF69R39 GSA69R39 GSAF69R39	4P		4.6	179	184.80	4.9	0.90				GSF49	5.4	156	158.12	5.1				1.00	GSA49	6.2	138	137.05	5.1			1.10	GSAF49	6.6	130			128.10	5.2	1.20				6.5	134	201.00	5.2		1.20			7.1	124	184.80			5.2	1.30		8.3	109	158.12	5.3	1.35		9.6	96	137.05	5.3	1.45	GS49	10	90			128.10	5.4	1.50	GSF49	12	79	110.73	5.4	1.55	GSA49	14	69	94.08	5.5	1.65	GSAF49	16	62	84.00	5.5	1.75		18	54	71.75	5.5	1.85		19	62	69.39	5.5	1.70		8.3	104	157.43	2.8	0.85		9.1	96	144.40	2.8	0.90		11	84	122.94	2.8	1.00		12	74	106.00	2.8	1.05		13	69	98.80	2.8	1.05		15	61	86.36	2.8	1.15		16	58	80.96	2.8	1.15		18	52	71.44	2.8	1.20		21	47	63.33	2.8	1.25		23	50	55.93	2.8	1.20		26	46	51.30	2.8	1.25	GS39	30	40	43.68	2.8	1.35	GSF39	35	34	37.66	2.8	1.40	GSA39	37	32	35.10	2.8	1.45	GSAF39	43	29	30.68	2.8	1.50		46	27	28.76	2.8	1.55		52	24	25.38	2.8	1.60		58	22	22.50	2.8	1.70		68	20	19.13	2.8	1.80		69	19	18.85	2.8	1.75		79	17	16.48	2.7	1.80		85	16	15.45	2.6	1.85		96	14	13.63	2.5	1.95		108	13	12.08	2.5	2.00		128	11	10.27	2.4	2.15		0.25kW							2.9	392	217.41	8.9	1.20	GS69	8P									3.4	351	190.11	9.2	1.35	GSF69									3.5	333	180.60	9.3	1.45	GSA69								4.0	297	158.45	9.5	1.55	GSAF69								3.9	315	217.41	9.4	1.50	GS69	6P									4.5	279	190.11	10	1.60	GSF69								4.7	266	180.60	10	1.65	GSA69								5.4	239	158.45	10	1.75	GSAF69								6.1	221	217.41	10	1.85									7.0	198	190.11	10	1.95	GS69	4P								7.4		189	180.60	10	2.00	GSF69								8.4	168	158.45		10	2.10		GSA69								10	145	134.40	10	2.20	GSAF69								11	132	121.33	10	2.30									12	118	106.75	10	2.40									4.2	275	201.00	6.7	0.95	GS59	6P									4.6	257	184.80	6.9	1.00	GSF59								5.4		221	158.12	7.1	1.20	GSA59								6.2	198	137.05	7.3	1.35	GSAF59								6.6	185	128.10	7.4	1.35									6.6	194	201.00	7.3	1.40									7.2	180	184.80	7.4	1.45									8.4	158	158.12	7.5	1.55	GS59	4P								9.7		140	137.05	7.6	1.60	GSF59								10		131	128.10		7.6	1.65	GSA59								12	116	110.73	7.7	1.75	GSAF59								14	100	94.08	7.8	1.85									16	91	84.00	7.8	1.95									6.6	194	201.00	4.9	0.80									7.2	178	184.80	4.9	0.85									8.4	157	158.12	5.1	1.00	GS49	4P									9.7	136	137.05	5.2	1.10	GSF49									10	129	128.10		5.2	1.20	GSA49								12	113	110.73	5.3	1.35	GSAF49								14	98	94.08	5.3	1.40									16	89	84.00	5.4	1.45																																																		
8.3	113	158.12	7.7	1.80	GSA59	9.6	99	137.05	7.8	1.90	GSAF59	4.2	194		201.00		4.8	0.85	GS49	6P	2.4	585	543	7.0	0.90	GS69R39 GSF69R39 GSA69R39 GSAF69R39	4P		4.6	179	184.80	4.9	0.90				GSF49	5.4	156	158.12	5.1				1.00	GSA49	6.2	138	137.05			5.1	1.10	GSAF49	6.6	130	128.10	5.2			1.20		6.5	134			201.00	5.2	1.20				7.1	124	184.80	5.2		1.30			8.3	109	158.12			5.3	1.35		9.6	96	137.05	5.3	1.45	GS49	10	90	128.10	5.4	1.50	GSF49	12	79	110.73	5.4	1.55	GSA49	14	69	94.08	5.5	1.65	GSAF49	16	62	84.00	5.5	1.75		18	54	71.75	5.5	1.85		19	62	69.39	5.5	1.70		8.3	104	157.43	2.8	0.85		9.1	96	144.40	2.8	0.90		11	84	122.94	2.8	1.00		12	74	106.00	2.8	1.05		13	69	98.80	2.8	1.05		15	61	86.36	2.8	1.15		16	58	80.96	2.8	1.15		18	52	71.44	2.8	1.20		21	47	63.33	2.8	1.25		23	50	55.93	2.8	1.20		26	46	51.30	2.8	1.25	GS39	30	40	43.68	2.8	1.35	GSF39	35	34	37.66	2.8	1.40	GSA39	37	32	35.10	2.8	1.45	GSAF39	43	29	30.68	2.8	1.50		46	27	28.76	2.8	1.55		52	24	25.38	2.8	1.60		58	22	22.50	2.8	1.70		68	20	19.13	2.8	1.80		69	19	18.85	2.8	1.75		79	17	16.48	2.7	1.80		85	16	15.45	2.6	1.85		96	14	13.63	2.5	1.95		108	13	12.08	2.5	2.00		128	11	10.27	2.4	2.15		0.25kW							2.9	392	217.41	8.9	1.20	GS69	8P									3.4	351	190.11	9.2	1.35	GSF69								3.5	333		180.60	9.3	1.45	GSA69								4.0	297	158.45	9.5	1.55	GSAF69								3.9	315	217.41	9.4	1.50	GS69	6P									4.5	279	190.11	10	1.60	GSF69								4.7	266	180.60	10	1.65	GSA69								5.4	239	158.45	10	1.75	GSAF69								6.1	221	217.41	10	1.85									7.0	198	190.11	10	1.95	GS69	4P									7.4	189	180.60	10	2.00	GSF69								8.4	168		158.45	10	2.10		GSA69								10	145	134.40	10	2.20	GSAF69								11	132	121.33	10	2.30									12	118	106.75	10	2.40									4.2	275	201.00	6.7	0.95	GS59	6P									4.6	257	184.80	6.9	1.00	GSF59								5.4	221		158.12	7.1	1.20		GSA59								6.2	198	137.05	7.3	1.35	GSAF59								6.6	185	128.10	7.4	1.35									6.6	194	201.00	7.3	1.40									7.2	180	184.80	7.4	1.45									8.4	158	158.12	7.5	1.55	GS59	4P								9.7	140	137.05	7.6	1.60	GSF59								10	131		128.10	7.6	1.65	GSA59									12	116	110.73	7.7	1.75	GSAF59								14	100	94.08	7.8	1.85									16	91	84.00	7.8	1.95									6.6	194	201.00	4.9	0.80									7.2	178	184.80	4.9	0.85									8.4	157	158.12	5.1	1.00	GS49	4P									9.7	136	137.05	5.2	1.10	GSF49								10		129	128.10	5.2	1.20		GSA49									12	113	110.73	5.3	1.35	GSAF49								14	98	94.08	5.3	1.40									16	89	84.00	5.4	1.45																																																									
9.6	99	137.05	7.8	1.90	GSAF59	4.2	194	201.00	4.8	0.85	GS49	6P	2.4	585	543	7.0	0.90	GS69R39 GSF69R39 GSA69R39 GSAF69R39	4P		4.6	179	184.80	4.9	0.90				GSF49	5.4	156	158.12	5.1				1.00	GSA49	6.2	138	137.05			5.1	1.10	GSAF49	6.6	130	128.10			5.2	1.20		6.5	134	201.00	5.2			1.20		7.1	124			184.80	5.2	1.30				8.3	109	158.12	5.3		1.35			9.6	96	137.05			5.3	1.45	GS49	10	90	128.10	5.4	1.50	GSF49	12	79	110.73	5.4	1.55	GSA49	14	69	94.08	5.5	1.65	GSAF49	16	62	84.00	5.5	1.75		18	54	71.75	5.5	1.85		19	62	69.39	5.5	1.70		8.3	104	157.43	2.8	0.85		9.1	96	144.40	2.8	0.90		11	84	122.94	2.8	1.00		12	74	106.00	2.8	1.05		13	69	98.80	2.8	1.05		15	61	86.36	2.8	1.15		16	58	80.96	2.8	1.15		18	52	71.44	2.8	1.20		21	47	63.33	2.8	1.25		23	50	55.93	2.8	1.20		26	46	51.30	2.8	1.25	GS39	30	40	43.68	2.8	1.35	GSF39	35	34	37.66	2.8	1.40	GSA39	37	32	35.10	2.8	1.45	GSAF39	43	29	30.68	2.8	1.50		46	27	28.76	2.8	1.55		52	24	25.38	2.8	1.60		58	22	22.50	2.8	1.70		68	20	19.13	2.8	1.80		69	19	18.85	2.8	1.75		79	17	16.48	2.7	1.80		85	16	15.45	2.6	1.85		96	14	13.63	2.5	1.95		108	13	12.08	2.5	2.00		128	11	10.27	2.4	2.15		0.25kW							2.9	392	217.41	8.9	1.20	GS69	8P								3.4	351	190.11	9.2	1.35	GSF69										3.5	333	180.60	9.3	1.45	GSA69								4.0	297	158.45	9.5	1.55	GSAF69								3.9	315	217.41	9.4	1.50	GS69	6P								4.5	279	190.11	10	1.60	GSF69									4.7	266	180.60	10	1.65	GSA69								5.4	239	158.45	10	1.75	GSAF69								6.1	221	217.41	10	1.85									7.0	198	190.11	10	1.95	GS69	4P								7.4	189	180.60	10	2.00	GSF69									8.4		168	158.45	10	2.10	GSA69								10	145	134.40	10	2.20	GSAF69								11	132	121.33	10	2.30									12	118	106.75	10	2.40									4.2	275	201.00	6.7	0.95	GS59	6P								4.6	257	184.80	6.9	1.00	GSF59								5.4	221		158.12	7.1	1.20	GSA59								6.2	198	137.05	7.3	1.35	GSAF59								6.6	185	128.10	7.4	1.35									6.6	194	201.00	7.3	1.40									7.2	180	184.80	7.4	1.45									8.4	158	158.12	7.5	1.55	GS59	4P								9.7		140	137.05	7.6	1.60	GSF59								10	131	128.10		7.6	1.65	GSA59								12		116	110.73	7.7	1.75	GSAF59								14	100	94.08	7.8	1.85									16	91	84.00	7.8	1.95									6.6	194	201.00	4.9	0.80									7.2	178	184.80	4.9	0.85									8.4	157	158.12	5.1	1.00	GS49	4P									9.7	136	137.05	5.2	1.10	GSF49								10	129		128.10	5.2	1.20	GSA49									12	113	110.73	5.3	1.35	GSAF49								14	98	94.08	5.3	1.40									16	89	84.00	5.4	1.45																																																																		
4.2	194	201.00	4.8	0.85	GS49	6P	2.4	585	543	7.0	0.90		GS69R39 GSF69R39 GSA69R39 GSAF69R39	4P																																																																																																																																																																																																																																																																																																																																																																																																																																																																																																																																																																																																																																																																																																																																																																																																																																											
4.6	179	184.80	4.9	0.90	GSF49		5.4	156	158.12	5.1	1.00				GSA49	6.2	138				137.05	5.1	1.10	GSAF49	6.6			130	128.10	5.2	1.20		6.5			134	201.00	5.2	1.20		7.1			124	184.80	5.2	1.30		8.3			109	158.12	5.3	1.35		9.6	96			137.05	5.3	1.45	GS49			10	90	128.10		5.4		1.50	GSF49	12	79	110.73	5.4	1.55	GSA49	14	69	94.08	5.5	1.65	GSAF49	16	62	84.00	5.5	1.75		18	54	71.75	5.5	1.85		19	62	69.39	5.5	1.70		8.3	104	157.43	2.8	0.85		9.1	96	144.40	2.8	0.90		11	84	122.94	2.8	1.00		12	74	106.00	2.8	1.05		13	69	98.80	2.8	1.05		15	61	86.36	2.8	1.15		16	58	80.96	2.8	1.15		18	52	71.44	2.8	1.20		21	47	63.33	2.8	1.25		23	50	55.93	2.8	1.20		26	46	51.30	2.8	1.25	GS39	30	40	43.68	2.8	1.35	GSF39	35	34	37.66	2.8	1.40	GSA39	37	32	35.10	2.8	1.45	GSAF39	43	29	30.68	2.8	1.50		46	27	28.76	2.8	1.55		52	24	25.38	2.8	1.60		58	22	22.50	2.8	1.70		68	20	19.13	2.8	1.80		69	19	18.85	2.8	1.75		79	17	16.48	2.7	1.80		85	16	15.45	2.6	1.85		96	14	13.63	2.5	1.95		108	13	12.08	2.5	2.00		128	11	10.27	2.4	2.15		0.25kW							2.9	392	217.41	8.9	1.20	GS69	8P								3.4	351	190.11	9.2	1.35	GSF69								3.5	333	180.60	9.3	1.45		GSA69								4.0	297	158.45	9.5	1.55	GSAF69								3.9	315	217.41	9.4	1.50	GS69	6P								4.5	279	190.11	10	1.60	GSF69									4.7	266	180.60	10	1.65	GSA69								5.4	239	158.45	10	1.75	GSAF69								6.1	221	217.41	10	1.85									7.0	198	190.11	10	1.95	GS69	4P								7.4	189	180.60	10	2.00	GSF69									8.4	168	158.45	10	2.10		GSA69								10	145	134.40	10	2.20	GSAF69								11	132	121.33	10	2.30									12	118	106.75	10	2.40									4.2	275	201.00	6.7	0.95	GS59	6P								4.6	257	184.80	6.9	1.00	GSF59									5.4	221	158.12	7.1	1.20	GSA59										6.2	198	137.05	7.3	1.35	GSAF59								6.6	185	128.10	7.4	1.35									6.6	194	201.00	7.3	1.40									7.2	180	184.80	7.4	1.45									8.4	158	158.12	7.5	1.55	GS59	4P								9.7	140	137.05	7.6	1.60	GSF59								10	131	128.10	7.6	1.65	GSA59								12		116	110.73	7.7	1.75	GSAF59								14	100	94.08	7.8	1.85									16	91	84.00	7.8	1.95									6.6	194	201.00	4.9	0.80									7.2	178	184.80	4.9	0.85									8.4	157	158.12	5.1	1.00	GS49	4P								9.7	136	137.05	5.2	1.10	GSF49									10	129	128.10	5.2	1.20	GSA49								12	113		110.73	5.3	1.35	GSAF49								14	98	94.08	5.3	1.40									16	89	84.00	5.4	1.45																																																																																								
5.4	156	158.12	5.1	1.00	GSA49		6.2	138	137.05	5.1	1.10				GSAF49	6.6	130			128.10	5.2	1.20		6.5	134			201.00	5.2	1.20		7.1	124			184.80	5.2	1.30		8.3	109			158.12	5.3	1.35		9.6	96			137.05	5.3	1.45	GS49	10	90	128.10			5.4	1.50	GSF49	12			79	110.73	5.4	1.55	GSA49	14	69	94.08	5.5	1.65	GSAF49	16	62	84.00	5.5	1.75		18	54	71.75	5.5	1.85		19	62	69.39	5.5	1.70		8.3	104	157.43	2.8	0.85		9.1	96	144.40	2.8	0.90		11	84	122.94	2.8	1.00		12	74	106.00	2.8	1.05		13	69	98.80	2.8	1.05		15	61	86.36	2.8	1.15		16	58	80.96	2.8	1.15		18	52	71.44	2.8	1.20		21	47	63.33	2.8	1.25		23	50	55.93	2.8	1.20		26	46	51.30	2.8	1.25	GS39	30	40	43.68	2.8	1.35	GSF39	35	34	37.66	2.8	1.40	GSA39	37	32	35.10	2.8	1.45	GSAF39	43	29	30.68	2.8	1.50		46	27	28.76	2.8	1.55		52	24	25.38	2.8	1.60		58	22	22.50	2.8	1.70		68	20	19.13	2.8	1.80		69	19	18.85	2.8	1.75		79	17	16.48	2.7	1.80		85	16	15.45	2.6	1.85		96	14	13.63	2.5	1.95		108	13	12.08	2.5	2.00		128	11	10.27	2.4	2.15		0.25kW							2.9	392	217.41	8.9	1.20	GS69	8P								3.4		351	190.11	9.2	1.35	GSF69								3.5	333	180.60	9.3	1.45	GSA69								4.0	297	158.45	9.5	1.55	GSAF69								3.9	315	217.41	9.4	1.50	GS69	6P								4.5		279	190.11	10	1.60	GSF69								4.7	266	180.60	10	1.65	GSA69								5.4	239	158.45	10	1.75	GSAF69								6.1	221	217.41	10	1.85									7.0	198	190.11	10	1.95	GS69	4P								7.4		189	180.60	10	2.00	GSF69								8.4	168	158.45	10	2.10	GSA69								10		145	134.40	10	2.20	GSAF69								11	132	121.33	10	2.30									12	118	106.75	10	2.40									4.2	275	201.00	6.7	0.95	GS59	6P								4.6		257	184.80	6.9	1.00	GSF59								5.4	221	158.12	7.1	1.20	GSA59								6.2	198		137.05	7.3	1.35	GSAF59								6.6	185	128.10	7.4	1.35									6.6	194	201.00	7.3	1.40									7.2	180	184.80	7.4	1.45									8.4	158	158.12	7.5	1.55	GS59	4P								9.7	140		137.05	7.6	1.60	GSF59								10	131	128.10	7.6	1.65	GSA59								12	116	110.73		7.7	1.75	GSAF59								14	100	94.08	7.8	1.85									16	91	84.00	7.8	1.95									6.6	194	201.00	4.9	0.80									7.2	178	184.80	4.9	0.85									8.4	157	158.12	5.1	1.00	GS49	4P								9.7		136	137.05	5.2	1.10	GSF49								10	129	128.10	5.2	1.20	GSA49								12	113	110.73		5.3	1.35	GSAF49								14	98	94.08	5.3	1.40									16	89	84.00	5.4	1.45																																																																																																	
6.2	138	137.05	5.1	1.10	GSAF49		6.6	130	128.10	5.2	1.20				6.5	134	201.00			5.2	1.20		7.1	124	184.80			5.2	1.30		8.3	109	158.12			5.3	1.35		9.6	96	137.05			5.3	1.45	GS49	10	90	128.10			5.4	1.50	GSF49	12	79	110.73	5.4			1.55	GSA49	14	69	94.08	5.5	1.65	GSAF49	16	62	84.00	5.5	1.75		18	54	71.75	5.5	1.85		19	62	69.39	5.5	1.70		8.3	104	157.43	2.8	0.85		9.1	96	144.40	2.8	0.90		11	84	122.94	2.8	1.00		12	74	106.00	2.8	1.05		13	69	98.80	2.8	1.05		15	61	86.36	2.8	1.15		16	58	80.96	2.8	1.15		18	52	71.44	2.8	1.20		21	47	63.33	2.8	1.25		23	50	55.93	2.8	1.20		26	46	51.30	2.8	1.25	GS39	30	40	43.68	2.8	1.35	GSF39	35	34	37.66	2.8	1.40	GSA39	37	32	35.10	2.8	1.45	GSAF39	43	29	30.68	2.8	1.50		46	27	28.76	2.8	1.55		52	24	25.38	2.8	1.60		58	22	22.50	2.8	1.70		68	20	19.13	2.8	1.80		69	19	18.85	2.8	1.75		79	17	16.48	2.7	1.80		85	16	15.45	2.6	1.85		96	14	13.63	2.5	1.95		108	13	12.08	2.5	2.00		128	11	10.27	2.4	2.15		0.25kW							2.9	392	217.41	8.9	1.20	GS69	8P								3.4		351	190.11	9.2	1.35	GSF69								3.5	333	180.60	9.3	1.45	GSA69								4.0	297	158.45	9.5	1.55	GSAF69								3.9	315	217.41	9.4	1.50	GS69	6P								4.5		279	190.11	10	1.60	GSF69								4.7	266	180.60	10	1.65	GSA69								5.4	239	158.45	10	1.75	GSAF69								6.1	221	217.41	10	1.85									7.0	198	190.11	10	1.95	GS69	4P								7.4		189	180.60	10	2.00	GSF69								8.4	168	158.45	10	2.10	GSA69								10	145	134.40	10		2.20	GSAF69								11	132	121.33	10	2.30									12	118	106.75	10	2.40									4.2	275	201.00	6.7	0.95	GS59	6P								4.6		257	184.80	6.9	1.00	GSF59								5.4	221	158.12	7.1	1.20	GSA59								6.2	198	137.05	7.3		1.35	GSAF59								6.6	185	128.10	7.4	1.35									6.6	194	201.00	7.3	1.40									7.2	180	184.80	7.4	1.45									8.4	158	158.12	7.5	1.55	GS59	4P								9.7		140	137.05	7.6	1.60	GSF59								10	131	128.10	7.6	1.65	GSA59								12	116	110.73		7.7	1.75	GSAF59								14	100	94.08	7.8	1.85									16	91	84.00	7.8	1.95									6.6	194	201.00	4.9	0.80									7.2	178	184.80	4.9	0.85									8.4	157	158.12	5.1	1.00	GS49	4P								9.7		136	137.05	5.2	1.10	GSF49								10	129	128.10	5.2	1.20	GSA49								12	113	110.73	5.3		1.35	GSAF49								14	98	94.08	5.3	1.40									16	89	84.00	5.4	1.45																																																																																																										
6.6	130	128.10	5.2	1.20		6.5	134	201.00	5.2	1.20		7.1			124	184.80	5.2			1.30		8.3	109	158.12	5.3			1.35		9.6	96	137.05	5.3			1.45	GS49	10	90	128.10	5.4			1.50	GSF49	12	79	110.73	5.4			1.55	GSA49	14	69	94.08	5.5	1.65	GSAF49	16	62	84.00	5.5	1.75		18	54	71.75	5.5	1.85		19	62	69.39	5.5	1.70		8.3	104	157.43	2.8	0.85		9.1	96	144.40	2.8	0.90		11	84	122.94	2.8	1.00		12	74	106.00	2.8	1.05		13	69	98.80	2.8	1.05		15	61	86.36	2.8	1.15		16	58	80.96	2.8	1.15		18	52	71.44	2.8	1.20		21	47	63.33	2.8	1.25		23	50	55.93	2.8	1.20		26	46	51.30	2.8	1.25	GS39	30	40	43.68	2.8	1.35	GSF39	35	34	37.66	2.8	1.40	GSA39	37	32	35.10	2.8	1.45	GSAF39	43	29	30.68	2.8	1.50		46	27	28.76	2.8	1.55		52	24	25.38	2.8	1.60		58	22	22.50	2.8	1.70		68	20	19.13	2.8	1.80		69	19	18.85	2.8	1.75		79	17	16.48	2.7	1.80		85	16	15.45	2.6	1.85		96	14	13.63	2.5	1.95		108	13	12.08	2.5	2.00		128	11	10.27	2.4	2.15		0.25kW							2.9	392	217.41	8.9	1.20	GS69	8P								3.4		351	190.11	9.2	1.35	GSF69								3.5	333	180.60	9.3	1.45		GSA69								4.0	297	158.45	9.5	1.55	GSAF69								3.9	315	217.41	9.4	1.50	GS69	6P									4.5	279	190.11	10	1.60	GSF69								4.7	266	180.60	10	1.65	GSA69								5.4	239	158.45	10	1.75	GSAF69								6.1	221	217.41	10	1.85									7.0	198	190.11	10	1.95	GS69	4P									7.4	189	180.60	10	2.00	GSF69								8.4	168	158.45	10		2.10	GSA69								10	145	134.40	10	2.20	GSAF69								11	132	121.33	10	2.30									12	118	106.75	10	2.40									4.2	275	201.00	6.7	0.95	GS59	6P									4.6	257	184.80	6.9	1.00	GSF59								5.4	221	158.12	7.1		1.20	GSA59								6.2	198	137.05	7.3	1.35	GSAF59								6.6	185	128.10	7.4	1.35									6.6	194	201.00	7.3	1.40									7.2	180	184.80	7.4	1.45									8.4	158	158.12	7.5	1.55	GS59	4P									9.7	140	137.05	7.6	1.60	GSF59								10	131	128.10	7.6	1.65		GSA59								12	116	110.73	7.7	1.75	GSAF59								14	100	94.08	7.8	1.85									16	91	84.00	7.8	1.95									6.6	194	201.00	4.9	0.80									7.2	178	184.80	4.9	0.85									8.4	157	158.12	5.1	1.00	GS49	4P									9.7	136	137.05	5.2	1.10	GSF49								10	129	128.10	5.2		1.20	GSA49								12	113	110.73	5.3	1.35	GSAF49								14	98	94.08	5.3	1.40									16	89	84.00	5.4	1.45																																																																																																																		
6.5	134	201.00	5.2	1.20		7.1	124	184.80	5.2	1.30		8.3			109	158.12	5.3			1.35		9.6	96	137.05	5.3			1.45	GS49	10	90	128.10	5.4			1.50	GSF49	12	79	110.73	5.4			1.55	GSA49	14	69	94.08	5.5	1.65	GSAF49	16	62	84.00	5.5	1.75		18	54	71.75	5.5	1.85		19	62	69.39	5.5	1.70		8.3	104	157.43	2.8	0.85		9.1	96	144.40	2.8	0.90		11	84	122.94	2.8	1.00		12	74	106.00	2.8	1.05		13	69	98.80	2.8	1.05		15	61	86.36	2.8	1.15		16	58	80.96	2.8	1.15		18	52	71.44	2.8	1.20		21	47	63.33	2.8	1.25		23	50	55.93	2.8	1.20		26	46	51.30	2.8	1.25	GS39	30	40	43.68	2.8	1.35	GSF39	35	34	37.66	2.8	1.40	GSA39	37	32	35.10	2.8	1.45	GSAF39	43	29	30.68	2.8	1.50		46	27	28.76	2.8	1.55		52	24	25.38	2.8	1.60		58	22	22.50	2.8	1.70		68	20	19.13	2.8	1.80		69	19	18.85	2.8	1.75		79	17	16.48	2.7	1.80		85	16	15.45	2.6	1.85		96	14	13.63	2.5	1.95		108	13	12.08	2.5	2.00		128	11	10.27	2.4	2.15		0.25kW							2.9	392	217.41	8.9	1.20	GS69	8P									3.4	351	190.11	9.2	1.35	GSF69								3.5	333	180.60	9.3		1.45	GSA69								4.0	297	158.45	9.5	1.55	GSAF69								3.9	315	217.41	9.4	1.50	GS69	6P									4.5	279	190.11	10	1.60	GSF69								4.7	266	180.60	10	1.65	GSA69								5.4	239	158.45	10	1.75	GSAF69								6.1	221	217.41	10	1.85									7.0	198	190.11	10	1.95	GS69	4P									7.4	189	180.60	10	2.00	GSF69								8.4	168	158.45		10	2.10	GSA69								10	145	134.40	10	2.20	GSAF69								11	132	121.33	10	2.30									12	118	106.75	10	2.40									4.2	275	201.00	6.7	0.95	GS59	6P									4.6	257	184.80	6.9	1.00	GSF59								5.4	221	158.12		7.1	1.20	GSA59								6.2	198	137.05	7.3	1.35	GSAF59								6.6	185	128.10	7.4	1.35									6.6	194	201.00	7.3	1.40									7.2	180	184.80	7.4	1.45									8.4	158	158.12	7.5	1.55	GS59	4P									9.7	140	137.05	7.6	1.60	GSF59								10	131	128.10		7.6	1.65	GSA59								12	116	110.73	7.7	1.75	GSAF59								14	100	94.08	7.8	1.85									16	91	84.00	7.8	1.95									6.6	194	201.00	4.9	0.80									7.2	178	184.80	4.9	0.85									8.4	157	158.12	5.1	1.00	GS49	4P									9.7	136	137.05	5.2	1.10	GSF49								10	129	128.10		5.2	1.20	GSA49								12	113	110.73	5.3	1.35	GSAF49								14	98	94.08	5.3	1.40									16	89	84.00	5.4	1.45																																																																																																																										
7.1	124	184.80	5.2	1.30		8.3	109	158.12	5.3	1.35		9.6			96	137.05	5.3			1.45	GS49	10	90	128.10	5.4			1.50	GSF49	12	79	110.73	5.4			1.55	GSA49	14	69	94.08	5.5	1.65	GSAF49	16	62	84.00	5.5	1.75		18	54	71.75	5.5	1.85		19	62	69.39	5.5	1.70		8.3	104	157.43	2.8	0.85		9.1	96	144.40	2.8	0.90		11	84	122.94	2.8	1.00		12	74	106.00	2.8	1.05		13	69	98.80	2.8	1.05		15	61	86.36	2.8	1.15		16	58	80.96	2.8	1.15		18	52	71.44	2.8	1.20		21	47	63.33	2.8	1.25		23	50	55.93	2.8	1.20		26	46	51.30	2.8	1.25	GS39	30	40	43.68	2.8	1.35	GSF39	35	34	37.66	2.8	1.40	GSA39	37	32	35.10	2.8	1.45	GSAF39	43	29	30.68	2.8	1.50		46	27	28.76	2.8	1.55		52	24	25.38	2.8	1.60		58	22	22.50	2.8	1.70		68	20	19.13	2.8	1.80		69	19	18.85	2.8	1.75		79	17	16.48	2.7	1.80		85	16	15.45	2.6	1.85		96	14	13.63	2.5	1.95		108	13	12.08	2.5	2.00		128	11	10.27	2.4	2.15		0.25kW							2.9	392	217.41	8.9	1.20	GS69	8P									3.4	351	190.11	9.2	1.35	GSF69								3.5	333	180.60		9.3	1.45	GSA69								4.0	297	158.45	9.5	1.55	GSAF69								3.9	315	217.41	9.4	1.50	GS69	6P									4.5	279	190.11	10	1.60	GSF69								4.7	266	180.60	10	1.65	GSA69								5.4	239	158.45	10	1.75	GSAF69								6.1	221	217.41	10	1.85									7.0	198	190.11	10	1.95	GS69	4P									7.4	189	180.60	10	2.00	GSF69								8.4	168		158.45	10	2.10	GSA69								10	145	134.40	10	2.20	GSAF69									11	132	121.33	10	2.30									12	118	106.75	10	2.40									4.2	275	201.00	6.7	0.95	GS59	6P								4.6	257	184.80	6.9	1.00	GSF59								5.4	221		158.12	7.1	1.20	GSA59								6.2	198	137.05	7.3	1.35	GSAF59								6.6	185	128.10	7.4	1.35									6.6	194	201.00	7.3	1.40									7.2	180	184.80	7.4	1.45									8.4	158	158.12	7.5	1.55	GS59	4P									9.7	140	137.05	7.6	1.60	GSF59								10	131		128.10	7.6	1.65	GSA59								12	116	110.73	7.7	1.75	GSAF59								14	100	94.08	7.8	1.85									16	91	84.00	7.8	1.95									6.6	194	201.00	4.9	0.80									7.2	178	184.80	4.9	0.85									8.4	157	158.12	5.1	1.00	GS49	4P									9.7	136	137.05	5.2	1.10	GSF49								10	129		128.10	5.2	1.20	GSA49								12	113	110.73	5.3	1.35	GSAF49									14	98	94.08	5.3	1.40									16	89	84.00	5.4	1.45																																																																																																																																	
8.3	109	158.12	5.3	1.35		9.6	96	137.05	5.3	1.45	GS49	10			90	128.10	5.4			1.50	GSF49	12	79	110.73	5.4			1.55	GSA49	14	69	94.08	5.5	1.65	GSAF49	16	62	84.00	5.5	1.75		18	54	71.75	5.5	1.85		19	62	69.39	5.5	1.70		8.3	104	157.43	2.8	0.85		9.1	96	144.40	2.8	0.90		11	84	122.94	2.8	1.00		12	74	106.00	2.8	1.05		13	69	98.80	2.8	1.05		15	61	86.36	2.8	1.15		16	58	80.96	2.8	1.15		18	52	71.44	2.8	1.20		21	47	63.33	2.8	1.25		23	50	55.93	2.8	1.20		26	46	51.30	2.8	1.25	GS39	30	40	43.68	2.8	1.35	GSF39	35	34	37.66	2.8	1.40	GSA39	37	32	35.10	2.8	1.45	GSAF39	43	29	30.68	2.8	1.50		46	27	28.76	2.8	1.55		52	24	25.38	2.8	1.60		58	22	22.50	2.8	1.70		68	20	19.13	2.8	1.80		69	19	18.85	2.8	1.75		79	17	16.48	2.7	1.80		85	16	15.45	2.6	1.85		96	14	13.63	2.5	1.95		108	13	12.08	2.5	2.00		128	11	10.27	2.4	2.15		0.25kW							2.9	392	217.41	8.9	1.20	GS69	8P									3.4	351	190.11	9.2	1.35	GSF69								3.5	333		180.60	9.3	1.45	GSA69								4.0	297	158.45	9.5	1.55	GSAF69								3.9	315	217.41	9.4	1.50	GS69	6P									4.5	279	190.11	10	1.60	GSF69								4.7	266	180.60	10	1.65	GSA69								5.4	239	158.45	10	1.75	GSAF69								6.1	221	217.41	10	1.85									7.0	198	190.11	10	1.95	GS69	4P									7.4	189	180.60	10	2.00	GSF69								8.4	168		158.45	10	2.10	GSA69								10	145	134.40	10	2.20		GSAF69								11	132	121.33	10	2.30									12	118	106.75	10	2.40									4.2	275	201.00	6.7	0.95	GS59	6P									4.6	257	184.80	6.9	1.00	GSF59										5.4	221	158.12	7.1	1.20	GSA59								6.2	198	137.05	7.3	1.35	GSAF59								6.6	185	128.10	7.4	1.35									6.6	194	201.00	7.3	1.40									7.2	180	184.80	7.4	1.45									8.4	158	158.12	7.5	1.55	GS59	4P								9.7	140	137.05	7.6	1.60	GSF59										10	131	128.10	7.6	1.65	GSA59								12	116	110.73		7.7	1.75	GSAF59								14	100	94.08	7.8	1.85									16	91	84.00	7.8	1.95									6.6	194	201.00	4.9	0.80									7.2	178	184.80	4.9	0.85									8.4	157	158.12	5.1	1.00	GS49	4P								9.7	136	137.05	5.2	1.10		GSF49								10	129	128.10	5.2	1.20	GSA49								12	113	110.73		5.3	1.35	GSAF49								14	98	94.08	5.3	1.40									16	89	84.00	5.4	1.45																																																																																																																																							
9.6	96	137.05	5.3	1.45	GS49	10	90	128.10	5.4	1.50	GSF49	12			79	110.73	5.4			1.55	GSA49	14	69	94.08	5.5	1.65	GSAF49	16	62	84.00	5.5	1.75		18	54	71.75	5.5	1.85		19	62	69.39	5.5	1.70		8.3	104	157.43	2.8	0.85		9.1	96	144.40	2.8	0.90		11	84	122.94	2.8	1.00		12	74	106.00	2.8	1.05		13	69	98.80	2.8	1.05		15	61	86.36	2.8	1.15		16	58	80.96	2.8	1.15		18	52	71.44	2.8	1.20		21	47	63.33	2.8	1.25		23	50	55.93	2.8	1.20		26	46	51.30	2.8	1.25	GS39	30	40	43.68	2.8	1.35	GSF39	35	34	37.66	2.8	1.40	GSA39	37	32	35.10	2.8	1.45	GSAF39	43	29	30.68	2.8	1.50		46	27	28.76	2.8	1.55		52	24	25.38	2.8	1.60		58	22	22.50	2.8	1.70		68	20	19.13	2.8	1.80		69	19	18.85	2.8	1.75		79	17	16.48	2.7	1.80		85	16	15.45	2.6	1.85		96	14	13.63	2.5	1.95		108	13	12.08	2.5	2.00		128	11	10.27	2.4	2.15		0.25kW							2.9	392	217.41	8.9	1.20	GS69	8P									3.4	351	190.11	9.2	1.35	GSF69								3.5	333		180.60	9.3	1.45	GSA69								4.0	297	158.45	9.5	1.55	GSAF69								3.9	315	217.41	9.4	1.50	GS69	6P									4.5	279	190.11	10	1.60	GSF69								4.7	266	180.60	10	1.65	GSA69								5.4	239	158.45	10	1.75	GSAF69								6.1	221	217.41	10	1.85									7.0	198	190.11	10	1.95	GS69	4P									7.4	189	180.60	10	2.00	GSF69								8.4	168		158.45	10	2.10	GSA69								10	145	134.40	10		2.20	GSAF69								11	132	121.33	10	2.30									12	118	106.75	10	2.40									4.2	275	201.00	6.7	0.95	GS59	6P									4.6	257	184.80	6.9	1.00	GSF59								5.4		221	158.12	7.1	1.20	GSA59								6.2	198	137.05	7.3	1.35	GSAF59								6.6	185	128.10	7.4	1.35									6.6	194	201.00	7.3	1.40									7.2	180	184.80	7.4	1.45									8.4	158	158.12	7.5	1.55	GS59	4P								9.7		140	137.05	7.6	1.60	GSF59										10	131	128.10	7.6	1.65	GSA59								12	116		110.73	7.7	1.75	GSAF59								14	100	94.08	7.8	1.85									16	91	84.00	7.8	1.95									6.6	194	201.00	4.9	0.80									7.2	178	184.80	4.9	0.85									8.4	157	158.12	5.1	1.00	GS49	4P									9.7	136	137.05	5.2		1.10	GSF49								10	129	128.10	5.2	1.20	GSA49										12	113	110.73	5.3	1.35	GSAF49								14	98	94.08	5.3	1.40									16	89	84.00	5.4	1.45																																																																																																																																													
10	90	128.10	5.4	1.50	GSF49	12	79	110.73	5.4	1.55	GSA49	14			69	94.08	5.5	1.65	GSAF49	16	62	84.00	5.5	1.75		18	54	71.75	5.5	1.85		19	62	69.39	5.5	1.70		8.3	104	157.43	2.8	0.85		9.1	96	144.40	2.8	0.90		11	84	122.94	2.8	1.00		12	74	106.00	2.8	1.05		13	69	98.80	2.8	1.05		15	61	86.36	2.8	1.15		16	58	80.96	2.8	1.15		18	52	71.44	2.8	1.20		21	47	63.33	2.8	1.25		23	50	55.93	2.8	1.20		26	46	51.30	2.8	1.25	GS39	30	40	43.68	2.8	1.35	GSF39	35	34	37.66	2.8	1.40	GSA39	37	32	35.10	2.8	1.45	GSAF39	43	29	30.68	2.8	1.50		46	27	28.76	2.8	1.55		52	24	25.38	2.8	1.60		58	22	22.50	2.8	1.70		68	20	19.13	2.8	1.80		69	19	18.85	2.8	1.75		79	17	16.48	2.7	1.80		85	16	15.45	2.6	1.85		96	14	13.63	2.5	1.95		108	13	12.08	2.5	2.00		128	11	10.27	2.4	2.15		0.25kW							2.9	392	217.41	8.9	1.20	GS69	8P									3.4	351	190.11	9.2	1.35	GSF69								3.5	333		180.60	9.3	1.45	GSA69								4.0	297	158.45	9.5	1.55	GSAF69								3.9	315	217.41	9.4	1.50	GS69	6P									4.5	279	190.11	10	1.60	GSF69								4.7	266	180.60	10	1.65	GSA69								5.4	239	158.45	10	1.75	GSAF69								6.1	221	217.41	10	1.85									7.0	198	190.11	10	1.95	GS69	4P									7.4	189	180.60	10	2.00	GSF69								8.4	168		158.45	10	2.10	GSA69								10	145	134.40	10		2.20	GSAF69								11	132	121.33	10	2.30									12	118	106.75	10	2.40									4.2	275	201.00	6.7	0.95	GS59	6P									4.6	257	184.80	6.9	1.00	GSF59								5.4	221		158.12	7.1	1.20	GSA59								6.2	198	137.05	7.3	1.35	GSAF59								6.6	185	128.10	7.4	1.35									6.6	194	201.00	7.3	1.40									7.2	180	184.80	7.4	1.45									8.4	158	158.12	7.5	1.55	GS59	4P									9.7	140	137.05	7.6	1.60	GSF59								10		131	128.10	7.6	1.65	GSA59								12	116	110.73		7.7	1.75	GSAF59								14	100	94.08	7.8	1.85									16	91	84.00	7.8	1.95									6.6	194	201.00	4.9	0.80									7.2	178	184.80	4.9	0.85									8.4	157	158.12	5.1	1.00	GS49	4P								9.7		136	137.05	5.2	1.10	GSF49									10	129	128.10	5.2	1.20	GSA49								12	113		110.73	5.3	1.35	GSAF49								14	98	94.08	5.3	1.40									16	89	84.00	5.4	1.45																																																																																																																																																							
12	79	110.73	5.4	1.55	GSA49	14	69	94.08	5.5	1.65	GSAF49	16	62	84.00	5.5	1.75		18	54	71.75	5.5	1.85		19	62	69.39	5.5	1.70		8.3	104	157.43	2.8	0.85		9.1	96	144.40	2.8	0.90		11	84	122.94	2.8	1.00		12	74	106.00	2.8	1.05		13	69	98.80	2.8	1.05		15	61	86.36	2.8	1.15		16	58	80.96	2.8	1.15		18	52	71.44	2.8	1.20		21	47	63.33	2.8	1.25		23	50	55.93	2.8	1.20		26	46	51.30	2.8	1.25	GS39	30	40	43.68	2.8	1.35	GSF39	35	34	37.66	2.8	1.40	GSA39	37	32	35.10	2.8	1.45	GSAF39	43	29	30.68	2.8	1.50		46	27	28.76	2.8	1.55		52	24	25.38	2.8	1.60		58	22	22.50	2.8	1.70		68	20	19.13	2.8	1.80		69	19	18.85	2.8	1.75		79	17	16.48	2.7	1.80		85	16	15.45	2.6	1.85		96	14	13.63	2.5	1.95		108	13	12.08	2.5	2.00		128	11	10.27	2.4	2.15		0.25kW							2.9	392	217.41	8.9	1.20	GS69	8P									3.4	351	190.11	9.2	1.35	GSF69								3.5	333		180.60	9.3	1.45	GSA69								4.0	297	158.45	9.5	1.55	GSAF69								3.9	315	217.41	9.4	1.50	GS69	6P									4.5	279	190.11	10	1.60	GSF69								4.7	266	180.60	10	1.65	GSA69								5.4	239	158.45	10	1.75	GSAF69								6.1	221	217.41	10	1.85									7.0	198	190.11	10	1.95	GS69	4P									7.4	189	180.60	10	2.00	GSF69								8.4	168		158.45	10	2.10	GSA69								10	145	134.40	10		2.20	GSAF69								11	132	121.33	10	2.30									12	118	106.75	10	2.40									4.2	275	201.00	6.7	0.95	GS59	6P									4.6	257	184.80	6.9	1.00	GSF59								5.4	221		158.12	7.1	1.20	GSA59								6.2	198	137.05	7.3	1.35	GSAF59								6.6	185	128.10	7.4	1.35									6.6	194	201.00	7.3	1.40									7.2	180	184.80	7.4	1.45									8.4	158	158.12	7.5	1.55	GS59	4P									9.7	140	137.05	7.6	1.60	GSF59								10	131	128.10		7.6	1.65	GSA59								12	116	110.73		7.7	1.75	GSAF59								14	100	94.08	7.8	1.85									16	91	84.00	7.8	1.95									6.6	194	201.00	4.9	0.80									7.2	178	184.80	4.9	0.85									8.4	157	158.12	5.1	1.00	GS49	4P									9.7	136	137.05	5.2	1.10	GSF49								10	129	128.10		5.2	1.20	GSA49								12	113		110.73	5.3	1.35	GSAF49								14	98	94.08	5.3	1.40									16	89	84.00	5.4	1.45																																																																																																																																																															
14	69	94.08	5.5	1.65	GSAF49	16	62	84.00	5.5	1.75		18	54	71.75	5.5	1.85		19	62	69.39	5.5	1.70		8.3	104	157.43	2.8	0.85		9.1	96	144.40	2.8	0.90		11	84	122.94	2.8	1.00		12	74	106.00	2.8	1.05		13	69	98.80	2.8	1.05		15	61	86.36	2.8	1.15		16	58	80.96	2.8	1.15		18	52	71.44	2.8	1.20		21	47	63.33	2.8	1.25		23	50	55.93	2.8	1.20		26	46	51.30	2.8	1.25	GS39	30	40	43.68	2.8	1.35	GSF39	35	34	37.66	2.8	1.40	GSA39	37	32	35.10	2.8	1.45	GSAF39	43	29	30.68	2.8	1.50		46	27	28.76	2.8	1.55		52	24	25.38	2.8	1.60		58	22	22.50	2.8	1.70		68	20	19.13	2.8	1.80		69	19	18.85	2.8	1.75		79	17	16.48	2.7	1.80		85	16	15.45	2.6	1.85		96	14	13.63	2.5	1.95		108	13	12.08	2.5	2.00		128	11	10.27	2.4	2.15		0.25kW							2.9	392	217.41	8.9	1.20	GS69	8P								3.4	351	190.11	9.2	1.35	GSF69										3.5	333	180.60	9.3	1.45	GSA69								4.0	297	158.45	9.5	1.55	GSAF69								3.9	315	217.41	9.4	1.50	GS69	6P								4.5	279	190.11	10	1.60	GSF69									4.7	266	180.60	10	1.65	GSA69								5.4	239	158.45	10	1.75	GSAF69								6.1	221	217.41	10	1.85									7.0	198	190.11	10	1.95	GS69	4P								7.4	189	180.60	10	2.00	GSF69										8.4	168	158.45	10	2.10	GSA69								10	145		134.40	10	2.20	GSAF69								11	132	121.33	10	2.30									12	118	106.75	10	2.40									4.2	275	201.00	6.7	0.95	GS59	6P								4.6	257	184.80	6.9	1.00	GSF59										5.4	221	158.12	7.1	1.20	GSA59								6.2	198	137.05	7.3	1.35	GSAF59								6.6	185	128.10	7.4	1.35									6.6	194	201.00	7.3	1.40									7.2	180	184.80	7.4	1.45									8.4	158	158.12	7.5	1.55	GS59	4P								9.7	140	137.05	7.6	1.60	GSF59										10	131	128.10	7.6	1.65	GSA59								12		116	110.73	7.7	1.75	GSAF59								14	100	94.08	7.8	1.85									16	91	84.00	7.8	1.95									6.6	194	201.00	4.9	0.80									7.2	178	184.80	4.9	0.85									8.4	157	158.12	5.1	1.00	GS49	4P								9.7	136	137.05	5.2	1.10	GSF49									10		129	128.10	5.2	1.20	GSA49									12	113	110.73	5.3	1.35	GSAF49								14	98	94.08	5.3	1.40									16	89	84.00	5.4	1.45																																																																																																																																																																					
16	62	84.00	5.5	1.75		18	54	71.75	5.5	1.85		19	62	69.39	5.5	1.70		8.3	104	157.43	2.8	0.85		9.1	96	144.40	2.8	0.90		11	84	122.94	2.8	1.00		12	74	106.00	2.8	1.05		13	69	98.80	2.8	1.05		15	61	86.36	2.8	1.15		16	58	80.96	2.8	1.15		18	52	71.44	2.8	1.20		21	47	63.33	2.8	1.25		23	50	55.93	2.8	1.20		26	46	51.30	2.8	1.25	GS39	30	40	43.68	2.8	1.35	GSF39	35	34	37.66	2.8	1.40	GSA39	37	32	35.10	2.8	1.45	GSAF39	43	29	30.68	2.8	1.50		46	27	28.76	2.8	1.55		52	24	25.38	2.8	1.60		58	22	22.50	2.8	1.70		68	20	19.13	2.8	1.80		69	19	18.85	2.8	1.75		79	17	16.48	2.7	1.80		85	16	15.45	2.6	1.85		96	14	13.63	2.5	1.95		108	13	12.08	2.5	2.00		128	11	10.27	2.4	2.15		0.25kW							2.9	392	217.41	8.9	1.20	GS69	8P								3.4	351	190.11	9.2		1.35	GSF69								3.5	333	180.60	9.3	1.45	GSA69								4.0	297	158.45	9.5	1.55	GSAF69								3.9	315	217.41	9.4	1.50	GS69	6P								4.5	279	190.11	10	1.60		GSF69								4.7	266	180.60	10	1.65	GSA69								5.4	239	158.45	10	1.75	GSAF69								6.1	221	217.41	10	1.85									7.0	198	190.11	10	1.95	GS69	4P								7.4	189	180.60	10	2.00		GSF69								8.4	168	158.45	10	2.10	GSA69								10	145		134.40	10	2.20	GSAF69								11	132	121.33	10	2.30									12	118	106.75	10	2.40									4.2	275	201.00	6.7	0.95	GS59	6P									4.6	257	184.80	6.9	1.00		GSF59								5.4	221	158.12	7.1	1.20	GSA59								6.2	198	137.05	7.3	1.35	GSAF59								6.6	185	128.10	7.4	1.35									6.6	194	201.00	7.3	1.40									7.2	180	184.80	7.4	1.45									8.4	158	158.12	7.5	1.55	GS59	4P									9.7	140	137.05	7.6	1.60		GSF59								10	131	128.10	7.6	1.65	GSA59								12	116	110.73		7.7	1.75	GSAF59								14	100	94.08	7.8	1.85									16	91	84.00	7.8	1.95									6.6	194	201.00	4.9	0.80									7.2	178	184.80	4.9	0.85									8.4	157	158.12	5.1	1.00	GS49	4P									9.7	136	137.05	5.2	1.10		GSF49								10	129	128.10	5.2	1.20	GSA49								12	113	110.73		5.3	1.35	GSAF49								14	98	94.08	5.3	1.40									16	89	84.00	5.4	1.45																																																																																																																																																																													
18	54	71.75	5.5	1.85		19	62	69.39	5.5	1.70		8.3	104	157.43	2.8	0.85		9.1	96	144.40	2.8	0.90		11	84	122.94	2.8	1.00		12	74	106.00	2.8	1.05		13	69	98.80	2.8	1.05		15	61	86.36	2.8	1.15		16	58	80.96	2.8	1.15		18	52	71.44	2.8	1.20		21	47	63.33	2.8	1.25		23	50	55.93	2.8	1.20		26	46	51.30	2.8	1.25	GS39	30	40	43.68	2.8	1.35	GSF39	35	34	37.66	2.8	1.40	GSA39	37	32	35.10	2.8	1.45	GSAF39	43	29	30.68	2.8	1.50		46	27	28.76	2.8	1.55		52	24	25.38	2.8	1.60		58	22	22.50	2.8	1.70		68	20	19.13	2.8	1.80		69	19	18.85	2.8	1.75		79	17	16.48	2.7	1.80		85	16	15.45	2.6	1.85		96	14	13.63	2.5	1.95		108	13	12.08	2.5	2.00		128	11	10.27	2.4	2.15		0.25kW							2.9	392	217.41	8.9	1.20	GS69	8P								3.4	351	190.11	9.2		1.35	GSF69								3.5	333	180.60	9.3	1.45	GSA69								4.0	297	158.45	9.5	1.55	GSAF69								3.9	315	217.41	9.4	1.50	GS69	6P								4.5	279	190.11	10	1.60		GSF69								4.7	266	180.60	10	1.65	GSA69								5.4	239	158.45	10	1.75	GSAF69								6.1	221	217.41	10	1.85									7.0	198	190.11	10	1.95	GS69	4P								7.4	189	180.60	10	2.00		GSF69								8.4	168	158.45	10	2.10		GSA69								10	145	134.40	10	2.20	GSAF69								11	132	121.33	10	2.30									12	118	106.75	10	2.40									4.2	275	201.00	6.7	0.95	GS59	6P								4.6	257	184.80	6.9	1.00	GSF59									5.4	221	158.12	7.1	1.20	GSA59									6.2	198	137.05	7.3	1.35	GSAF59								6.6	185	128.10	7.4	1.35									6.6	194	201.00	7.3	1.40									7.2	180	184.80	7.4	1.45									8.4	158	158.12	7.5	1.55	GS59	4P								9.7	140	137.05	7.6	1.60	GSF59									10	131	128.10	7.6	1.65	GSA59										12	116	110.73	7.7	1.75	GSAF59								14	100	94.08	7.8	1.85									16	91	84.00	7.8	1.95									6.6	194	201.00	4.9	0.80									7.2	178	184.80	4.9	0.85									8.4	157	158.12	5.1	1.00	GS49	4P								9.7	136	137.05	5.2	1.10	GSF49									10	129	128.10	5.2	1.20	GSA49									12		113	110.73	5.3	1.35	GSAF49								14	98	94.08	5.3	1.40									16	89	84.00	5.4	1.45																																																																																																																																																																																			
19	62	69.39	5.5	1.70		8.3	104	157.43	2.8	0.85		9.1	96	144.40	2.8	0.90		11	84	122.94	2.8	1.00		12	74	106.00	2.8	1.05		13	69	98.80	2.8	1.05		15	61	86.36	2.8	1.15		16	58	80.96	2.8	1.15		18	52	71.44	2.8	1.20		21	47	63.33	2.8	1.25		23	50	55.93	2.8	1.20		26	46	51.30	2.8	1.25	GS39	30	40	43.68	2.8	1.35	GSF39	35	34	37.66	2.8	1.40	GSA39	37	32	35.10	2.8	1.45	GSAF39	43	29	30.68	2.8	1.50		46	27	28.76	2.8	1.55		52	24	25.38	2.8	1.60		58	22	22.50	2.8	1.70		68	20	19.13	2.8	1.80		69	19	18.85	2.8	1.75		79	17	16.48	2.7	1.80		85	16	15.45	2.6	1.85		96	14	13.63	2.5	1.95		108	13	12.08	2.5	2.00		128	11	10.27	2.4	2.15		0.25kW							2.9	392	217.41	8.9	1.20	GS69	8P								3.4	351	190.11	9.2		1.35	GSF69								3.5	333	180.60	9.3	1.45	GSA69								4.0	297	158.45	9.5	1.55	GSAF69								3.9	315	217.41	9.4	1.50	GS69	6P								4.5	279	190.11	10		1.60	GSF69								4.7	266	180.60	10	1.65	GSA69								5.4	239	158.45	10	1.75	GSAF69								6.1	221	217.41	10	1.85									7.0	198	190.11	10	1.95	GS69	4P								7.4	189	180.60	10		2.00	GSF69								8.4	168	158.45		10	2.10	GSA69								10	145	134.40	10	2.20	GSAF69								11	132	121.33	10	2.30									12	118	106.75	10	2.40									4.2	275	201.00	6.7	0.95	GS59	6P								4.6	257	184.80	6.9		1.00	GSF59								5.4	221	158.12	7.1		1.20	GSA59								6.2	198	137.05	7.3	1.35	GSAF59								6.6	185	128.10	7.4	1.35									6.6	194	201.00	7.3	1.40									7.2	180	184.80	7.4	1.45									8.4	158	158.12	7.5	1.55	GS59	4P								9.7	140	137.05	7.6		1.60	GSF59								10	131	128.10	7.6		1.65	GSA59								12	116	110.73	7.7	1.75	GSAF59								14	100	94.08	7.8	1.85									16	91	84.00	7.8	1.95									6.6	194	201.00	4.9	0.80									7.2	178	184.80	4.9	0.85									8.4	157	158.12	5.1	1.00	GS49	4P								9.7	136	137.05	5.2	1.10		GSF49								10	129	128.10	5.2	1.20		GSA49								12	113	110.73	5.3	1.35	GSAF49								14	98	94.08	5.3	1.40									16	89	84.00	5.4	1.45																																																																																																																																																																																											
8.3	104	157.43	2.8	0.85		9.1	96	144.40	2.8	0.90		11	84	122.94	2.8	1.00		12	74	106.00	2.8	1.05		13	69	98.80	2.8	1.05		15	61	86.36	2.8	1.15		16	58	80.96	2.8	1.15		18	52	71.44	2.8	1.20		21	47	63.33	2.8	1.25		23	50	55.93	2.8	1.20		26	46	51.30	2.8	1.25	GS39	30	40	43.68	2.8	1.35	GSF39	35	34	37.66	2.8	1.40	GSA39	37	32	35.10	2.8	1.45	GSAF39	43	29	30.68	2.8	1.50		46	27	28.76	2.8	1.55		52	24	25.38	2.8	1.60		58	22	22.50	2.8	1.70		68	20	19.13	2.8	1.80		69	19	18.85	2.8	1.75		79	17	16.48	2.7	1.80		85	16	15.45	2.6	1.85		96	14	13.63	2.5	1.95		108	13	12.08	2.5	2.00		128	11	10.27	2.4	2.15		0.25kW							2.9	392	217.41	8.9	1.20	GS69	8P								3.4	351	190.11	9.2		1.35	GSF69								3.5	333	180.60	9.3	1.45	GSA69								4.0	297	158.45	9.5	1.55	GSAF69								3.9	315	217.41	9.4	1.50	GS69	6P								4.5	279	190.11	10		1.60	GSF69								4.7	266	180.60	10	1.65	GSA69								5.4	239	158.45	10	1.75	GSAF69								6.1	221	217.41	10	1.85									7.0	198	190.11	10	1.95	GS69	4P								7.4	189	180.60	10		2.00	GSF69								8.4	168	158.45		10	2.10	GSA69								10	145	134.40	10	2.20	GSAF69								11	132	121.33	10	2.30									12	118	106.75	10	2.40									4.2	275	201.00	6.7	0.95	GS59	6P								4.6	257	184.80	6.9		1.00	GSF59								5.4	221	158.12	7.1		1.20	GSA59								6.2	198	137.05	7.3	1.35	GSAF59								6.6	185	128.10	7.4	1.35									6.6	194	201.00	7.3	1.40									7.2	180	184.80	7.4	1.45									8.4	158	158.12	7.5	1.55	GS59	4P								9.7	140	137.05	7.6		1.60	GSF59								10	131	128.10	7.6		1.65	GSA59								12	116	110.73	7.7	1.75	GSAF59								14	100	94.08	7.8	1.85									16	91	84.00	7.8	1.95									6.6	194	201.00	4.9	0.80									7.2	178	184.80	4.9	0.85									8.4	157	158.12	5.1	1.00	GS49	4P								9.7	136	137.05	5.2	1.10		GSF49								10	129	128.10	5.2	1.20		GSA49								12	113	110.73	5.3	1.35	GSAF49								14	98	94.08	5.3	1.40									16	89	84.00	5.4	1.45																																																																																																																																																																																																	
9.1	96	144.40	2.8	0.90		11	84	122.94	2.8	1.00		12	74	106.00	2.8	1.05		13	69	98.80	2.8	1.05		15	61	86.36	2.8	1.15		16	58	80.96	2.8	1.15		18	52	71.44	2.8	1.20		21	47	63.33	2.8	1.25		23	50	55.93	2.8	1.20		26	46	51.30	2.8	1.25	GS39	30	40	43.68	2.8	1.35	GSF39	35	34	37.66	2.8	1.40	GSA39	37	32	35.10	2.8	1.45	GSAF39	43	29	30.68	2.8	1.50		46	27	28.76	2.8	1.55		52	24	25.38	2.8	1.60		58	22	22.50	2.8	1.70		68	20	19.13	2.8	1.80		69	19	18.85	2.8	1.75		79	17	16.48	2.7	1.80		85	16	15.45	2.6	1.85		96	14	13.63	2.5	1.95		108	13	12.08	2.5	2.00		128	11	10.27	2.4	2.15		0.25kW							2.9	392	217.41	8.9	1.20	GS69	8P								3.4	351	190.11	9.2		1.35	GSF69								3.5	333	180.60	9.3	1.45	GSA69								4.0	297	158.45	9.5	1.55	GSAF69								3.9	315	217.41	9.4	1.50	GS69	6P								4.5	279	190.11	10		1.60	GSF69								4.7	266	180.60	10	1.65	GSA69								5.4	239	158.45	10	1.75	GSAF69								6.1	221	217.41	10	1.85									7.0	198	190.11	10	1.95	GS69	4P								7.4	189	180.60	10		2.00	GSF69								8.4	168		158.45	10	2.10	GSA69								10	145	134.40	10	2.20	GSAF69								11	132	121.33	10	2.30									12	118	106.75	10	2.40									4.2	275	201.00	6.7	0.95	GS59	6P								4.6	257	184.80	6.9		1.00	GSF59								5.4	221		158.12	7.1	1.20	GSA59								6.2	198	137.05	7.3	1.35	GSAF59								6.6	185	128.10	7.4	1.35									6.6	194	201.00	7.3	1.40									7.2	180	184.80	7.4	1.45									8.4	158	158.12	7.5	1.55	GS59	4P								9.7	140	137.05	7.6		1.60	GSF59								10	131		128.10	7.6	1.65	GSA59								12	116	110.73	7.7	1.75	GSAF59								14	100	94.08	7.8	1.85									16	91	84.00	7.8	1.95									6.6	194	201.00	4.9	0.80									7.2	178	184.80	4.9	0.85									8.4	157	158.12	5.1	1.00	GS49	4P								9.7	136	137.05	5.2		1.10	GSF49								10	129	128.10		5.2	1.20	GSA49								12	113	110.73	5.3	1.35	GSAF49								14	98	94.08	5.3	1.40									16	89	84.00	5.4	1.45																																																																																																																																																																																																							
11	84	122.94	2.8	1.00		12	74	106.00	2.8	1.05		13	69	98.80	2.8	1.05		15	61	86.36	2.8	1.15		16	58	80.96	2.8	1.15		18	52	71.44	2.8	1.20		21	47	63.33	2.8	1.25		23	50	55.93	2.8	1.20		26	46	51.30	2.8	1.25	GS39	30	40	43.68	2.8	1.35	GSF39	35	34	37.66	2.8	1.40	GSA39	37	32	35.10	2.8	1.45	GSAF39	43	29	30.68	2.8	1.50		46	27	28.76	2.8	1.55		52	24	25.38	2.8	1.60		58	22	22.50	2.8	1.70		68	20	19.13	2.8	1.80		69	19	18.85	2.8	1.75		79	17	16.48	2.7	1.80		85	16	15.45	2.6	1.85		96	14	13.63	2.5	1.95		108	13	12.08	2.5	2.00		128	11	10.27	2.4	2.15		0.25kW							2.9	392	217.41	8.9	1.20	GS69	8P								3.4	351	190.11	9.2		1.35	GSF69								3.5	333	180.60	9.3	1.45	GSA69								4.0	297	158.45	9.5	1.55	GSAF69								3.9	315	217.41	9.4	1.50	GS69	6P								4.5	279	190.11	10		1.60	GSF69								4.7	266	180.60	10	1.65	GSA69								5.4	239	158.45	10	1.75	GSAF69								6.1	221	217.41	10	1.85									7.0	198	190.11	10	1.95	GS69	4P								7.4	189	180.60	10		2.00	GSF69								8.4	168		158.45	10	2.10	GSA69								10	145	134.40	10	2.20	GSAF69								11	132	121.33	10	2.30									12	118	106.75	10	2.40									4.2	275	201.00	6.7	0.95	GS59	6P								4.6	257	184.80	6.9		1.00	GSF59								5.4	221		158.12	7.1	1.20	GSA59								6.2	198	137.05	7.3	1.35	GSAF59								6.6	185	128.10	7.4	1.35									6.6	194	201.00	7.3	1.40									7.2	180	184.80	7.4	1.45									8.4	158	158.12	7.5	1.55	GS59	4P								9.7	140	137.05	7.6		1.60	GSF59								10	131		128.10	7.6	1.65	GSA59								12	116	110.73	7.7	1.75	GSAF59								14	100	94.08	7.8	1.85									16	91	84.00	7.8	1.95									6.6	194	201.00	4.9	0.80									7.2	178	184.80	4.9	0.85									8.4	157	158.12	5.1	1.00	GS49	4P								9.7	136	137.05	5.2		1.10	GSF49								10	129	128.10		5.2	1.20	GSA49								12	113	110.73	5.3	1.35	GSAF49								14	98	94.08	5.3	1.40									16	89	84.00	5.4	1.45																																																																																																																																																																																																													
12	74	106.00	2.8	1.05		13	69	98.80	2.8	1.05		15	61	86.36	2.8	1.15		16	58	80.96	2.8	1.15		18	52	71.44	2.8	1.20		21	47	63.33	2.8	1.25		23	50	55.93	2.8	1.20		26	46	51.30	2.8	1.25	GS39	30	40	43.68	2.8	1.35	GSF39	35	34	37.66	2.8	1.40	GSA39	37	32	35.10	2.8	1.45	GSAF39	43	29	30.68	2.8	1.50		46	27	28.76	2.8	1.55		52	24	25.38	2.8	1.60		58	22	22.50	2.8	1.70		68	20	19.13	2.8	1.80		69	19	18.85	2.8	1.75		79	17	16.48	2.7	1.80		85	16	15.45	2.6	1.85		96	14	13.63	2.5	1.95		108	13	12.08	2.5	2.00		128	11	10.27	2.4	2.15		0.25kW							2.9	392	217.41	8.9	1.20	GS69	8P								3.4	351	190.11	9.2		1.35	GSF69								3.5	333	180.60	9.3	1.45	GSA69								4.0	297	158.45	9.5	1.55	GSAF69								3.9	315	217.41	9.4	1.50	GS69	6P								4.5	279	190.11	10		1.60	GSF69								4.7	266	180.60	10	1.65	GSA69								5.4	239	158.45	10	1.75	GSAF69								6.1	221	217.41	10	1.85									7.0	198	190.11	10	1.95	GS69	4P								7.4	189	180.60	10		2.00	GSF69								8.4	168		158.45	10	2.10	GSA69								10	145	134.40	10	2.20	GSAF69								11	132	121.33	10	2.30									12	118	106.75	10	2.40									4.2	275	201.00	6.7	0.95	GS59	6P								4.6	257	184.80	6.9		1.00	GSF59								5.4	221		158.12	7.1	1.20	GSA59								6.2	198	137.05	7.3	1.35	GSAF59								6.6	185	128.10	7.4	1.35									6.6	194	201.00	7.3	1.40									7.2	180	184.80	7.4	1.45									8.4	158	158.12	7.5	1.55	GS59	4P								9.7	140	137.05	7.6		1.60	GSF59								10	131		128.10	7.6	1.65	GSA59								12	116	110.73	7.7	1.75	GSAF59								14	100	94.08	7.8	1.85									16	91	84.00	7.8	1.95									6.6	194	201.00	4.9	0.80									7.2	178	184.80	4.9	0.85									8.4	157	158.12	5.1	1.00	GS49	4P								9.7	136	137.05	5.2		1.10	GSF49								10	129		128.10	5.2	1.20	GSA49								12	113	110.73	5.3	1.35	GSAF49								14	98	94.08	5.3	1.40									16	89	84.00	5.4	1.45																																																																																																																																																																																																																			
13	69	98.80	2.8	1.05		15	61	86.36	2.8	1.15		16	58	80.96	2.8	1.15		18	52	71.44	2.8	1.20		21	47	63.33	2.8	1.25		23	50	55.93	2.8	1.20		26	46	51.30	2.8	1.25	GS39	30	40	43.68	2.8	1.35	GSF39	35	34	37.66	2.8	1.40	GSA39	37	32	35.10	2.8	1.45	GSAF39	43	29	30.68	2.8	1.50		46	27	28.76	2.8	1.55		52	24	25.38	2.8	1.60		58	22	22.50	2.8	1.70		68	20	19.13	2.8	1.80		69	19	18.85	2.8	1.75		79	17	16.48	2.7	1.80		85	16	15.45	2.6	1.85		96	14	13.63	2.5	1.95		108	13	12.08	2.5	2.00		128	11	10.27	2.4	2.15		0.25kW							2.9	392	217.41	8.9	1.20	GS69	8P								3.4	351	190.11	9.2		1.35	GSF69								3.5	333	180.60	9.3	1.45	GSA69								4.0	297	158.45	9.5	1.55	GSAF69								3.9	315	217.41	9.4	1.50	GS69	6P								4.5	279	190.11	10		1.60	GSF69								4.7	266	180.60	10	1.65	GSA69								5.4	239	158.45	10	1.75	GSAF69								6.1	221	217.41	10	1.85									7.0	198	190.11	10	1.95	GS69	4P								7.4	189	180.60	10		2.00	GSF69								8.4	168		158.45	10	2.10	GSA69								10	145	134.40	10	2.20	GSAF69								11	132	121.33	10	2.30									12	118	106.75	10	2.40									4.2	275	201.00	6.7	0.95	GS59	6P								4.6	257	184.80	6.9		1.00	GSF59								5.4	221		158.12	7.1	1.20	GSA59								6.2	198	137.05	7.3	1.35	GSAF59								6.6	185	128.10	7.4	1.35									6.6	194	201.00	7.3	1.40									7.2	180	184.80	7.4	1.45									8.4	158	158.12	7.5	1.55	GS59	4P								9.7	140	137.05	7.6		1.60	GSF59								10	131		128.10	7.6	1.65	GSA59								12	116	110.73	7.7	1.75	GSAF59								14	100	94.08	7.8	1.85									16	91	84.00	7.8	1.95									6.6	194	201.00	4.9	0.80									7.2	178	184.80	4.9	0.85									8.4	157	158.12	5.1	1.00	GS49	4P								9.7	136	137.05	5.2		1.10	GSF49								10	129		128.10	5.2	1.20	GSA49								12	113	110.73	5.3	1.35	GSAF49								14	98	94.08	5.3	1.40									16	89	84.00	5.4	1.45																																																																																																																																																																																																																									
15	61	86.36	2.8	1.15		16	58	80.96	2.8	1.15		18	52	71.44	2.8	1.20		21	47	63.33	2.8	1.25		23	50	55.93	2.8	1.20		26	46	51.30	2.8	1.25	GS39	30	40	43.68	2.8	1.35	GSF39	35	34	37.66	2.8	1.40	GSA39	37	32	35.10	2.8	1.45	GSAF39	43	29	30.68	2.8	1.50		46	27	28.76	2.8	1.55		52	24	25.38	2.8	1.60		58	22	22.50	2.8	1.70		68	20	19.13	2.8	1.80		69	19	18.85	2.8	1.75		79	17	16.48	2.7	1.80		85	16	15.45	2.6	1.85		96	14	13.63	2.5	1.95		108	13	12.08	2.5	2.00		128	11	10.27	2.4	2.15		0.25kW							2.9	392	217.41	8.9	1.20	GS69	8P								3.4	351	190.11	9.2		1.35	GSF69								3.5	333	180.60	9.3	1.45	GSA69								4.0	297	158.45	9.5	1.55	GSAF69								3.9	315	217.41	9.4	1.50	GS69	6P								4.5	279	190.11	10		1.60	GSF69								4.7	266	180.60	10	1.65	GSA69								5.4	239	158.45	10	1.75	GSAF69								6.1	221	217.41	10	1.85									7.0	198	190.11	10	1.95	GS69	4P								7.4	189	180.60	10		2.00	GSF69								8.4	168		158.45	10	2.10	GSA69								10	145	134.40	10	2.20	GSAF69								11	132	121.33	10	2.30									12	118	106.75	10	2.40									4.2	275	201.00	6.7	0.95	GS59	6P								4.6	257	184.80	6.9		1.00	GSF59								5.4	221		158.12	7.1	1.20	GSA59								6.2	198	137.05	7.3	1.35	GSAF59								6.6	185	128.10	7.4	1.35									6.6	194	201.00	7.3	1.40									7.2	180	184.80	7.4	1.45									8.4	158	158.12	7.5	1.55	GS59	4P								9.7	140	137.05	7.6		1.60	GSF59								10	131		128.10	7.6	1.65	GSA59								12	116	110.73	7.7	1.75	GSAF59								14	100	94.08	7.8	1.85									16	91	84.00	7.8	1.95									6.6	194	201.00	4.9	0.80									7.2	178	184.80	4.9	0.85									8.4	157	158.12	5.1	1.00	GS49	4P								9.7	136	137.05	5.2		1.10	GSF49								10	129		128.10	5.2	1.20	GSA49								12	113	110.73	5.3	1.35	GSAF49								14	98	94.08	5.3	1.40									16	89	84.00	5.4	1.45																																																																																																																																																																																																																															
16	58	80.96	2.8	1.15		18	52	71.44	2.8	1.20		21	47	63.33	2.8	1.25		23	50	55.93	2.8	1.20		26	46	51.30	2.8	1.25	GS39	30	40	43.68	2.8	1.35	GSF39	35	34	37.66	2.8	1.40	GSA39	37	32	35.10	2.8	1.45	GSAF39	43	29	30.68	2.8	1.50		46	27	28.76	2.8	1.55		52	24	25.38	2.8	1.60		58	22	22.50	2.8	1.70		68	20	19.13	2.8	1.80		69	19	18.85	2.8	1.75		79	17	16.48	2.7	1.80		85	16	15.45	2.6	1.85		96	14	13.63	2.5	1.95		108	13	12.08	2.5	2.00		128	11	10.27	2.4	2.15		0.25kW							2.9	392	217.41	8.9	1.20	GS69	8P								3.4	351	190.11	9.2		1.35	GSF69								3.5	333	180.60	9.3	1.45	GSA69								4.0	297	158.45	9.5	1.55	GSAF69								3.9	315	217.41	9.4	1.50	GS69	6P								4.5	279	190.11	10		1.60	GSF69								4.7	266	180.60	10	1.65	GSA69								5.4	239	158.45	10	1.75	GSAF69								6.1	221	217.41	10	1.85									7.0	198	190.11	10	1.95	GS69	4P								7.4	189	180.60	10		2.00	GSF69								8.4	168		158.45	10	2.10	GSA69								10	145	134.40	10	2.20	GSAF69								11	132	121.33	10	2.30									12	118	106.75	10	2.40									4.2	275	201.00	6.7	0.95	GS59	6P								4.6	257	184.80	6.9		1.00	GSF59								5.4	221		158.12	7.1	1.20	GSA59								6.2	198	137.05	7.3	1.35	GSAF59								6.6	185	128.10	7.4	1.35									6.6	194	201.00	7.3	1.40									7.2	180	184.80	7.4	1.45									8.4	158	158.12	7.5	1.55	GS59	4P								9.7	140	137.05	7.6		1.60	GSF59								10	131		128.10	7.6	1.65	GSA59								12	116	110.73	7.7	1.75	GSAF59								14	100	94.08	7.8	1.85									16	91	84.00	7.8	1.95									6.6	194	201.00	4.9	0.80									7.2	178	184.80	4.9	0.85									8.4	157	158.12	5.1	1.00	GS49	4P								9.7	136	137.05	5.2		1.10	GSF49								10	129		128.10	5.2	1.20	GSA49								12	113	110.73	5.3	1.35	GSAF49								14	98	94.08	5.3	1.40									16	89	84.00	5.4	1.45																																																																																																																																																																																																																																					
18	52	71.44	2.8	1.20		21	47	63.33	2.8	1.25		23	50	55.93	2.8	1.20		26	46	51.30	2.8	1.25	GS39	30	40	43.68	2.8	1.35	GSF39	35	34	37.66	2.8	1.40	GSA39	37	32	35.10	2.8	1.45	GSAF39	43	29	30.68	2.8	1.50		46	27	28.76	2.8	1.55		52	24	25.38	2.8	1.60		58	22	22.50	2.8	1.70		68	20	19.13	2.8	1.80		69	19	18.85	2.8	1.75		79	17	16.48	2.7	1.80		85	16	15.45	2.6	1.85		96	14	13.63	2.5	1.95		108	13	12.08	2.5	2.00		128	11	10.27	2.4	2.15		0.25kW							2.9	392	217.41	8.9	1.20	GS69	8P								3.4	351	190.11	9.2		1.35	GSF69								3.5	333	180.60	9.3	1.45	GSA69								4.0	297	158.45	9.5	1.55	GSAF69								3.9	315	217.41	9.4	1.50	GS69	6P								4.5	279	190.11	10		1.60	GSF69								4.7	266	180.60	10	1.65	GSA69								5.4	239	158.45	10	1.75	GSAF69								6.1	221	217.41	10	1.85									7.0	198	190.11	10	1.95	GS69	4P								7.4	189	180.60	10		2.00	GSF69								8.4	168		158.45	10	2.10	GSA69								10	145	134.40	10	2.20	GSAF69								11	132	121.33	10	2.30									12	118	106.75	10	2.40									4.2	275	201.00	6.7	0.95	GS59	6P								4.6	257	184.80	6.9		1.00	GSF59								5.4	221		158.12	7.1	1.20	GSA59								6.2	198	137.05	7.3	1.35	GSAF59								6.6	185	128.10	7.4	1.35									6.6	194	201.00	7.3	1.40									7.2	180	184.80	7.4	1.45									8.4	158	158.12	7.5	1.55	GS59	4P								9.7	140	137.05	7.6		1.60	GSF59								10	131		128.10	7.6	1.65	GSA59								12	116	110.73	7.7	1.75	GSAF59								14	100	94.08	7.8	1.85									16	91	84.00	7.8	1.95									6.6	194	201.00	4.9	0.80									7.2	178	184.80	4.9	0.85									8.4	157	158.12	5.1	1.00	GS49	4P								9.7	136	137.05	5.2		1.10	GSF49								10	129		128.10	5.2	1.20	GSA49								12	113	110.73	5.3	1.35	GSAF49								14	98	94.08	5.3	1.40									16	89	84.00	5.4	1.45																																																																																																																																																																																																																																											
21	47	63.33	2.8	1.25		23	50	55.93	2.8	1.20		26	46	51.30	2.8	1.25	GS39	30	40	43.68	2.8	1.35	GSF39	35	34	37.66	2.8	1.40	GSA39	37	32	35.10	2.8	1.45	GSAF39	43	29	30.68	2.8	1.50		46	27	28.76	2.8	1.55		52	24	25.38	2.8	1.60		58	22	22.50	2.8	1.70		68	20	19.13	2.8	1.80		69	19	18.85	2.8	1.75		79	17	16.48	2.7	1.80		85	16	15.45	2.6	1.85		96	14	13.63	2.5	1.95		108	13	12.08	2.5	2.00		128	11	10.27	2.4	2.15		0.25kW							2.9	392	217.41	8.9	1.20	GS69	8P								3.4	351	190.11	9.2		1.35	GSF69								3.5	333	180.60	9.3	1.45	GSA69								4.0	297	158.45	9.5	1.55	GSAF69								3.9	315	217.41	9.4	1.50	GS69	6P								4.5	279	190.11	10		1.60	GSF69								4.7	266	180.60	10	1.65	GSA69								5.4	239	158.45	10	1.75	GSAF69								6.1	221	217.41	10	1.85									7.0	198	190.11	10	1.95	GS69	4P								7.4	189	180.60	10		2.00	GSF69								8.4	168		158.45	10	2.10	GSA69								10	145	134.40	10	2.20	GSAF69								11	132	121.33	10	2.30									12	118	106.75	10	2.40									4.2	275	201.00	6.7	0.95	GS59	6P								4.6	257	184.80	6.9		1.00	GSF59								5.4	221		158.12	7.1	1.20	GSA59								6.2	198	137.05	7.3	1.35	GSAF59								6.6	185	128.10	7.4	1.35									6.6	194	201.00	7.3	1.40									7.2	180	184.80	7.4	1.45									8.4	158	158.12	7.5	1.55	GS59	4P								9.7	140	137.05	7.6		1.60	GSF59								10	131		128.10	7.6	1.65	GSA59								12	116	110.73	7.7	1.75	GSAF59								14	100	94.08	7.8	1.85									16	91	84.00	7.8	1.95									6.6	194	201.00	4.9	0.80									7.2	178	184.80	4.9	0.85									8.4	157	158.12	5.1	1.00	GS49	4P								9.7	136	137.05	5.2		1.10	GSF49								10	129		128.10	5.2	1.20	GSA49								12	113	110.73	5.3	1.35	GSAF49								14	98	94.08	5.3	1.40									16	89	84.00	5.4	1.45																																																																																																																																																																																																																																																	
23	50	55.93	2.8	1.20		26	46	51.30	2.8	1.25	GS39	30	40	43.68	2.8	1.35	GSF39	35	34	37.66	2.8	1.40	GSA39	37	32	35.10	2.8	1.45	GSAF39	43	29	30.68	2.8	1.50		46	27	28.76	2.8	1.55		52	24	25.38	2.8	1.60		58	22	22.50	2.8	1.70		68	20	19.13	2.8	1.80		69	19	18.85	2.8	1.75		79	17	16.48	2.7	1.80		85	16	15.45	2.6	1.85		96	14	13.63	2.5	1.95		108	13	12.08	2.5	2.00		128	11	10.27	2.4	2.15		0.25kW							2.9	392	217.41	8.9	1.20	GS69	8P								3.4	351	190.11	9.2		1.35	GSF69								3.5	333	180.60	9.3	1.45	GSA69								4.0	297	158.45	9.5	1.55	GSAF69								3.9	315	217.41	9.4	1.50	GS69	6P								4.5	279	190.11	10		1.60	GSF69								4.7	266	180.60	10	1.65	GSA69								5.4	239	158.45	10	1.75	GSAF69								6.1	221	217.41	10	1.85									7.0	198	190.11	10	1.95	GS69	4P								7.4	189	180.60	10		2.00	GSF69								8.4	168		158.45	10	2.10	GSA69								10	145	134.40	10	2.20	GSAF69								11	132	121.33	10	2.30									12	118	106.75	10	2.40									4.2	275	201.00	6.7	0.95	GS59	6P								4.6	257	184.80	6.9		1.00	GSF59								5.4	221		158.12	7.1	1.20	GSA59								6.2	198	137.05	7.3	1.35	GSAF59								6.6	185	128.10	7.4	1.35									6.6	194	201.00	7.3	1.40									7.2	180	184.80	7.4	1.45									8.4	158	158.12	7.5	1.55	GS59	4P								9.7	140	137.05	7.6		1.60	GSF59								10	131		128.10	7.6	1.65	GSA59								12	116	110.73	7.7	1.75	GSAF59								14	100	94.08	7.8	1.85									16	91	84.00	7.8	1.95									6.6	194	201.00	4.9	0.80									7.2	178	184.80	4.9	0.85									8.4	157	158.12	5.1	1.00	GS49	4P								9.7	136	137.05	5.2		1.10	GSF49								10	129		128.10	5.2	1.20	GSA49								12	113	110.73	5.3	1.35	GSAF49								14	98	94.08	5.3	1.40									16	89	84.00	5.4	1.45																																																																																																																																																																																																																																																							
26	46	51.30	2.8	1.25	GS39	30	40	43.68	2.8	1.35	GSF39	35	34	37.66	2.8	1.40	GSA39	37	32	35.10	2.8	1.45	GSAF39	43	29	30.68	2.8	1.50		46	27	28.76	2.8	1.55		52	24	25.38	2.8	1.60		58	22	22.50	2.8	1.70		68	20	19.13	2.8	1.80		69	19	18.85	2.8	1.75		79	17	16.48	2.7	1.80		85	16	15.45	2.6	1.85		96	14	13.63	2.5	1.95		108	13	12.08	2.5	2.00		128	11	10.27	2.4	2.15		0.25kW							2.9	392	217.41	8.9	1.20	GS69	8P								3.4	351	190.11	9.2		1.35	GSF69								3.5	333	180.60	9.3	1.45	GSA69								4.0	297	158.45	9.5	1.55	GSAF69								3.9	315	217.41	9.4	1.50	GS69	6P								4.5	279	190.11	10		1.60	GSF69								4.7	266	180.60	10	1.65	GSA69								5.4	239	158.45	10	1.75	GSAF69								6.1	221	217.41	10	1.85									7.0	198	190.11	10	1.95	GS69	4P								7.4	189	180.60	10		2.00	GSF69								8.4	168		158.45	10	2.10	GSA69								10	145	134.40	10	2.20	GSAF69								11	132	121.33	10	2.30									12	118	106.75	10	2.40									4.2	275	201.00	6.7	0.95	GS59	6P								4.6	257	184.80	6.9		1.00	GSF59								5.4	221		158.12	7.1	1.20	GSA59								6.2	198	137.05	7.3	1.35	GSAF59								6.6	185	128.10	7.4	1.35									6.6	194	201.00	7.3	1.40									7.2	180	184.80	7.4	1.45									8.4	158	158.12	7.5	1.55	GS59	4P								9.7	140	137.05	7.6		1.60	GSF59								10	131		128.10	7.6	1.65	GSA59								12	116	110.73	7.7	1.75	GSAF59								14	100	94.08	7.8	1.85									16	91	84.00	7.8	1.95									6.6	194	201.00	4.9	0.80									7.2	178	184.80	4.9	0.85									8.4	157	158.12	5.1	1.00	GS49	4P								9.7	136	137.05	5.2		1.10	GSF49								10	129		128.10	5.2	1.20	GSA49								12	113	110.73	5.3	1.35	GSAF49								14	98	94.08	5.3	1.40									16	89	84.00	5.4	1.45																																																																																																																																																																																																																																																													
30	40	43.68	2.8	1.35	GSF39	35	34	37.66	2.8	1.40	GSA39	37	32	35.10	2.8	1.45	GSAF39	43	29	30.68	2.8	1.50		46	27	28.76	2.8	1.55		52	24	25.38	2.8	1.60		58	22	22.50	2.8	1.70		68	20	19.13	2.8	1.80		69	19	18.85	2.8	1.75		79	17	16.48	2.7	1.80		85	16	15.45	2.6	1.85		96	14	13.63	2.5	1.95		108	13	12.08	2.5	2.00		128	11	10.27	2.4	2.15		0.25kW							2.9	392	217.41	8.9	1.20	GS69	8P								3.4	351	190.11	9.2		1.35	GSF69								3.5	333	180.60	9.3	1.45	GSA69								4.0	297	158.45	9.5	1.55	GSAF69								3.9	315	217.41	9.4	1.50	GS69	6P								4.5	279	190.11	10		1.60	GSF69								4.7	266	180.60	10	1.65	GSA69								5.4	239	158.45	10	1.75	GSAF69								6.1	221	217.41	10	1.85									7.0	198	190.11	10	1.95	GS69	4P								7.4	189	180.60	10		2.00	GSF69								8.4	168		158.45	10	2.10	GSA69								10	145	134.40	10	2.20	GSAF69								11	132	121.33	10	2.30									12	118	106.75	10	2.40									4.2	275	201.00	6.7	0.95	GS59	6P								4.6	257	184.80	6.9		1.00	GSF59								5.4	221		158.12	7.1	1.20	GSA59								6.2	198	137.05	7.3	1.35	GSAF59								6.6	185	128.10	7.4	1.35									6.6	194	201.00	7.3	1.40									7.2	180	184.80	7.4	1.45									8.4	158	158.12	7.5	1.55	GS59	4P								9.7	140	137.05	7.6		1.60	GSF59								10	131		128.10	7.6	1.65	GSA59								12	116	110.73	7.7	1.75	GSAF59								14	100	94.08	7.8	1.85									16	91	84.00	7.8	1.95									6.6	194	201.00	4.9	0.80									7.2	178	184.80	4.9	0.85									8.4	157	158.12	5.1	1.00	GS49	4P								9.7	136	137.05	5.2		1.10	GSF49								10	129		128.10	5.2	1.20	GSA49								12	113	110.73	5.3	1.35	GSAF49								14	98	94.08	5.3	1.40									16	89	84.00	5.4	1.45																																																																																																																																																																																																																																																																			
35	34	37.66	2.8	1.40	GSA39	37	32	35.10	2.8	1.45	GSAF39	43	29	30.68	2.8	1.50		46	27	28.76	2.8	1.55		52	24	25.38	2.8	1.60		58	22	22.50	2.8	1.70		68	20	19.13	2.8	1.80		69	19	18.85	2.8	1.75		79	17	16.48	2.7	1.80		85	16	15.45	2.6	1.85		96	14	13.63	2.5	1.95		108	13	12.08	2.5	2.00		128	11	10.27	2.4	2.15		0.25kW							2.9	392	217.41	8.9	1.20	GS69	8P								3.4	351	190.11	9.2		1.35	GSF69								3.5	333	180.60	9.3	1.45	GSA69								4.0	297	158.45	9.5	1.55	GSAF69								3.9	315	217.41	9.4	1.50	GS69	6P								4.5	279	190.11	10		1.60	GSF69								4.7	266	180.60	10	1.65	GSA69								5.4	239	158.45	10	1.75	GSAF69								6.1	221	217.41	10	1.85									7.0	198	190.11	10	1.95	GS69	4P								7.4	189	180.60	10		2.00	GSF69								8.4	168		158.45	10	2.10	GSA69								10	145	134.40	10	2.20	GSAF69								11	132	121.33	10	2.30									12	118	106.75	10	2.40									4.2	275	201.00	6.7	0.95	GS59	6P								4.6	257	184.80	6.9		1.00	GSF59								5.4	221		158.12	7.1	1.20	GSA59								6.2	198	137.05	7.3	1.35	GSAF59								6.6	185	128.10	7.4	1.35									6.6	194	201.00	7.3	1.40									7.2	180	184.80	7.4	1.45									8.4	158	158.12	7.5	1.55	GS59	4P								9.7	140	137.05	7.6		1.60	GSF59								10	131		128.10	7.6	1.65	GSA59								12	116	110.73	7.7	1.75	GSAF59								14	100	94.08	7.8	1.85									16	91	84.00	7.8	1.95									6.6	194	201.00	4.9	0.80									7.2	178	184.80	4.9	0.85									8.4	157	158.12	5.1	1.00	GS49	4P								9.7	136	137.05	5.2		1.10	GSF49								10	129		128.10	5.2	1.20	GSA49								12	113	110.73	5.3	1.35	GSAF49								14	98	94.08	5.3	1.40									16	89	84.00	5.4	1.45																																																																																																																																																																																																																																																																									
37	32	35.10	2.8	1.45	GSAF39	43	29	30.68	2.8	1.50		46	27	28.76	2.8	1.55		52	24	25.38	2.8	1.60		58	22	22.50	2.8	1.70		68	20	19.13	2.8	1.80		69	19	18.85	2.8	1.75		79	17	16.48	2.7	1.80		85	16	15.45	2.6	1.85		96	14	13.63	2.5	1.95		108	13	12.08	2.5	2.00		128	11	10.27	2.4	2.15		0.25kW							2.9	392	217.41	8.9	1.20	GS69	8P								3.4	351	190.11	9.2		1.35	GSF69								3.5	333	180.60	9.3	1.45	GSA69								4.0	297	158.45	9.5	1.55	GSAF69								3.9	315	217.41	9.4	1.50	GS69	6P								4.5	279	190.11	10		1.60	GSF69								4.7	266	180.60	10	1.65	GSA69								5.4	239	158.45	10	1.75	GSAF69								6.1	221	217.41	10	1.85									7.0	198	190.11	10	1.95	GS69	4P								7.4	189	180.60	10		2.00	GSF69								8.4	168		158.45	10	2.10	GSA69								10	145	134.40	10	2.20	GSAF69								11	132	121.33	10	2.30									12	118	106.75	10	2.40									4.2	275	201.00	6.7	0.95	GS59	6P								4.6	257	184.80	6.9		1.00	GSF59								5.4	221		158.12	7.1	1.20	GSA59								6.2	198	137.05	7.3	1.35	GSAF59								6.6	185	128.10	7.4	1.35									6.6	194	201.00	7.3	1.40									7.2	180	184.80	7.4	1.45									8.4	158	158.12	7.5	1.55	GS59	4P								9.7	140	137.05	7.6		1.60	GSF59								10	131		128.10	7.6	1.65	GSA59								12	116	110.73	7.7	1.75	GSAF59								14	100	94.08	7.8	1.85									16	91	84.00	7.8	1.95									6.6	194	201.00	4.9	0.80									7.2	178	184.80	4.9	0.85									8.4	157	158.12	5.1	1.00	GS49	4P								9.7	136	137.05	5.2		1.10	GSF49								10	129		128.10	5.2	1.20	GSA49								12	113	110.73	5.3	1.35	GSAF49								14	98	94.08	5.3	1.40									16	89	84.00	5.4	1.45																																																																																																																																																																																																																																																																															
43	29	30.68	2.8	1.50		46	27	28.76	2.8	1.55		52	24	25.38	2.8	1.60		58	22	22.50	2.8	1.70		68	20	19.13	2.8	1.80		69	19	18.85	2.8	1.75		79	17	16.48	2.7	1.80		85	16	15.45	2.6	1.85		96	14	13.63	2.5	1.95		108	13	12.08	2.5	2.00		128	11	10.27	2.4	2.15		0.25kW							2.9	392	217.41	8.9	1.20	GS69	8P								3.4	351	190.11	9.2		1.35	GSF69								3.5	333	180.60	9.3	1.45	GSA69								4.0	297	158.45	9.5	1.55	GSAF69								3.9	315	217.41	9.4	1.50	GS69	6P								4.5	279	190.11	10		1.60	GSF69								4.7	266	180.60	10	1.65	GSA69								5.4	239	158.45	10	1.75	GSAF69								6.1	221	217.41	10	1.85									7.0	198	190.11	10	1.95	GS69	4P								7.4	189	180.60	10		2.00	GSF69								8.4	168		158.45	10	2.10	GSA69								10	145	134.40	10	2.20	GSAF69								11	132	121.33	10	2.30									12	118	106.75	10	2.40									4.2	275	201.00	6.7	0.95	GS59	6P								4.6	257	184.80	6.9		1.00	GSF59								5.4	221		158.12	7.1	1.20	GSA59								6.2	198	137.05	7.3	1.35	GSAF59								6.6	185	128.10	7.4	1.35									6.6	194	201.00	7.3	1.40									7.2	180	184.80	7.4	1.45									8.4	158	158.12	7.5	1.55	GS59	4P								9.7	140	137.05	7.6		1.60	GSF59								10	131		128.10	7.6	1.65	GSA59								12	116	110.73	7.7	1.75	GSAF59								14	100	94.08	7.8	1.85									16	91	84.00	7.8	1.95									6.6	194	201.00	4.9	0.80									7.2	178	184.80	4.9	0.85									8.4	157	158.12	5.1	1.00	GS49	4P								9.7	136	137.05	5.2		1.10	GSF49								10	129		128.10	5.2	1.20	GSA49								12	113	110.73	5.3	1.35	GSAF49								14	98	94.08	5.3	1.40									16	89	84.00	5.4	1.45																																																																																																																																																																																																																																																																																					
46	27	28.76	2.8	1.55		52	24	25.38	2.8	1.60		58	22	22.50	2.8	1.70		68	20	19.13	2.8	1.80		69	19	18.85	2.8	1.75		79	17	16.48	2.7	1.80		85	16	15.45	2.6	1.85		96	14	13.63	2.5	1.95		108	13	12.08	2.5	2.00		128	11	10.27	2.4	2.15		0.25kW							2.9	392	217.41	8.9	1.20	GS69	8P								3.4	351	190.11	9.2		1.35	GSF69								3.5	333	180.60	9.3	1.45	GSA69								4.0	297	158.45	9.5	1.55	GSAF69								3.9	315	217.41	9.4	1.50	GS69	6P								4.5	279	190.11	10		1.60	GSF69								4.7	266	180.60	10	1.65	GSA69								5.4	239	158.45	10	1.75	GSAF69								6.1	221	217.41	10	1.85									7.0	198	190.11	10	1.95	GS69	4P								7.4	189	180.60	10		2.00	GSF69								8.4	168		158.45	10	2.10	GSA69								10	145	134.40	10	2.20	GSAF69								11	132	121.33	10	2.30									12	118	106.75	10	2.40									4.2	275	201.00	6.7	0.95	GS59	6P								4.6	257	184.80	6.9		1.00	GSF59								5.4	221		158.12	7.1	1.20	GSA59								6.2	198	137.05	7.3	1.35	GSAF59								6.6	185	128.10	7.4	1.35									6.6	194	201.00	7.3	1.40									7.2	180	184.80	7.4	1.45									8.4	158	158.12	7.5	1.55	GS59	4P								9.7	140	137.05	7.6		1.60	GSF59								10	131		128.10	7.6	1.65	GSA59								12	116	110.73	7.7	1.75	GSAF59								14	100	94.08	7.8	1.85									16	91	84.00	7.8	1.95									6.6	194	201.00	4.9	0.80									7.2	178	184.80	4.9	0.85									8.4	157	158.12	5.1	1.00	GS49	4P								9.7	136	137.05	5.2		1.10	GSF49								10	129		128.10	5.2	1.20	GSA49								12	113	110.73	5.3	1.35	GSAF49								14	98	94.08	5.3	1.40									16	89	84.00	5.4	1.45																																																																																																																																																																																																																																																																																											
52	24	25.38	2.8	1.60		58	22	22.50	2.8	1.70		68	20	19.13	2.8	1.80		69	19	18.85	2.8	1.75		79	17	16.48	2.7	1.80		85	16	15.45	2.6	1.85		96	14	13.63	2.5	1.95		108	13	12.08	2.5	2.00		128	11	10.27	2.4	2.15		0.25kW							2.9	392	217.41	8.9	1.20	GS69	8P								3.4	351	190.11	9.2		1.35	GSF69								3.5	333	180.60	9.3	1.45	GSA69								4.0	297	158.45	9.5	1.55	GSAF69								3.9	315	217.41	9.4	1.50	GS69	6P								4.5	279	190.11	10		1.60	GSF69								4.7	266	180.60	10	1.65	GSA69								5.4	239	158.45	10	1.75	GSAF69								6.1	221	217.41	10	1.85									7.0	198	190.11	10	1.95	GS69	4P								7.4	189	180.60	10		2.00	GSF69								8.4	168		158.45	10	2.10	GSA69								10	145	134.40	10	2.20	GSAF69								11	132	121.33	10	2.30									12	118	106.75	10	2.40									4.2	275	201.00	6.7	0.95	GS59	6P								4.6	257	184.80	6.9		1.00	GSF59								5.4	221		158.12	7.1	1.20	GSA59								6.2	198	137.05	7.3	1.35	GSAF59								6.6	185	128.10	7.4	1.35									6.6	194	201.00	7.3	1.40									7.2	180	184.80	7.4	1.45									8.4	158	158.12	7.5	1.55	GS59	4P								9.7	140	137.05	7.6		1.60	GSF59								10	131		128.10	7.6	1.65	GSA59								12	116	110.73	7.7	1.75	GSAF59								14	100	94.08	7.8	1.85									16	91	84.00	7.8	1.95									6.6	194	201.00	4.9	0.80									7.2	178	184.80	4.9	0.85									8.4	157	158.12	5.1	1.00	GS49	4P								9.7	136	137.05	5.2		1.10	GSF49								10	129		128.10	5.2	1.20	GSA49								12	113	110.73	5.3	1.35	GSAF49								14	98	94.08	5.3	1.40									16	89	84.00	5.4	1.45																																																																																																																																																																																																																																																																																																	
58	22	22.50	2.8	1.70		68	20	19.13	2.8	1.80		69	19	18.85	2.8	1.75		79	17	16.48	2.7	1.80		85	16	15.45	2.6	1.85		96	14	13.63	2.5	1.95		108	13	12.08	2.5	2.00		128	11	10.27	2.4	2.15		0.25kW							2.9	392	217.41	8.9	1.20	GS69	8P								3.4	351	190.11	9.2		1.35	GSF69								3.5	333	180.60	9.3	1.45	GSA69								4.0	297	158.45	9.5	1.55	GSAF69								3.9	315	217.41	9.4	1.50	GS69	6P								4.5	279	190.11	10		1.60	GSF69								4.7	266	180.60	10	1.65	GSA69								5.4	239	158.45	10	1.75	GSAF69								6.1	221	217.41	10	1.85									7.0	198	190.11	10	1.95	GS69	4P								7.4	189	180.60	10		2.00	GSF69								8.4	168		158.45	10	2.10	GSA69								10	145	134.40	10	2.20	GSAF69								11	132	121.33	10	2.30									12	118	106.75	10	2.40									4.2	275	201.00	6.7	0.95	GS59	6P								4.6	257	184.80	6.9		1.00	GSF59								5.4	221		158.12	7.1	1.20	GSA59								6.2	198	137.05	7.3	1.35	GSAF59								6.6	185	128.10	7.4	1.35									6.6	194	201.00	7.3	1.40									7.2	180	184.80	7.4	1.45									8.4	158	158.12	7.5	1.55	GS59	4P								9.7	140	137.05	7.6		1.60	GSF59								10	131		128.10	7.6	1.65	GSA59								12	116	110.73	7.7	1.75	GSAF59								14	100	94.08	7.8	1.85									16	91	84.00	7.8	1.95									6.6	194	201.00	4.9	0.80									7.2	178	184.80	4.9	0.85									8.4	157	158.12	5.1	1.00	GS49	4P								9.7	136	137.05	5.2		1.10	GSF49								10	129		128.10	5.2	1.20	GSA49								12	113	110.73	5.3	1.35	GSAF49								14	98	94.08	5.3	1.40									16	89	84.00	5.4	1.45																																																																																																																																																																																																																																																																																																							
68	20	19.13	2.8	1.80		69	19	18.85	2.8	1.75		79	17	16.48	2.7	1.80		85	16	15.45	2.6	1.85		96	14	13.63	2.5	1.95		108	13	12.08	2.5	2.00		128	11	10.27	2.4	2.15		0.25kW							2.9	392	217.41	8.9	1.20	GS69	8P								3.4	351	190.11	9.2		1.35	GSF69								3.5	333	180.60	9.3	1.45	GSA69								4.0	297	158.45	9.5	1.55	GSAF69								3.9	315	217.41	9.4	1.50	GS69	6P								4.5	279	190.11	10		1.60	GSF69								4.7	266	180.60	10	1.65	GSA69								5.4	239	158.45	10	1.75	GSAF69								6.1	221	217.41	10	1.85									7.0	198	190.11	10	1.95	GS69	4P								7.4	189	180.60	10		2.00	GSF69								8.4	168		158.45	10	2.10	GSA69								10	145	134.40	10	2.20	GSAF69								11	132	121.33	10	2.30									12	118	106.75	10	2.40									4.2	275	201.00	6.7	0.95	GS59	6P								4.6	257	184.80	6.9		1.00	GSF59								5.4	221		158.12	7.1	1.20	GSA59								6.2	198	137.05	7.3	1.35	GSAF59								6.6	185	128.10	7.4	1.35									6.6	194	201.00	7.3	1.40									7.2	180	184.80	7.4	1.45									8.4	158	158.12	7.5	1.55	GS59	4P								9.7	140	137.05	7.6		1.60	GSF59								10	131		128.10	7.6	1.65	GSA59								12	116	110.73	7.7	1.75	GSAF59								14	100	94.08	7.8	1.85									16	91	84.00	7.8	1.95									6.6	194	201.00	4.9	0.80									7.2	178	184.80	4.9	0.85									8.4	157	158.12	5.1	1.00	GS49	4P								9.7	136	137.05	5.2		1.10	GSF49								10	129		128.10	5.2	1.20	GSA49								12	113	110.73	5.3	1.35	GSAF49								14	98	94.08	5.3	1.40									16	89	84.00	5.4	1.45																																																																																																																																																																																																																																																																																																													
69	19	18.85	2.8	1.75		79	17	16.48	2.7	1.80		85	16	15.45	2.6	1.85		96	14	13.63	2.5	1.95		108	13	12.08	2.5	2.00		128	11	10.27	2.4	2.15		0.25kW							2.9	392	217.41	8.9	1.20	GS69	8P								3.4	351	190.11	9.2		1.35	GSF69								3.5	333	180.60	9.3	1.45	GSA69								4.0	297	158.45	9.5	1.55	GSAF69								3.9	315	217.41	9.4	1.50	GS69	6P								4.5	279	190.11	10		1.60	GSF69								4.7	266	180.60	10	1.65	GSA69								5.4	239	158.45	10	1.75	GSAF69								6.1	221	217.41	10	1.85									7.0	198	190.11	10	1.95	GS69	4P								7.4	189	180.60	10		2.00	GSF69								8.4	168		158.45	10	2.10	GSA69								10	145	134.40	10	2.20	GSAF69								11	132	121.33	10	2.30									12	118	106.75	10	2.40									4.2	275	201.00	6.7	0.95	GS59	6P								4.6	257	184.80	6.9		1.00	GSF59								5.4	221		158.12	7.1	1.20	GSA59								6.2	198	137.05	7.3	1.35	GSAF59								6.6	185	128.10	7.4	1.35									6.6	194	201.00	7.3	1.40									7.2	180	184.80	7.4	1.45									8.4	158	158.12	7.5	1.55	GS59	4P								9.7	140	137.05	7.6		1.60	GSF59								10	131		128.10	7.6	1.65	GSA59								12	116	110.73	7.7	1.75	GSAF59								14	100	94.08	7.8	1.85									16	91	84.00	7.8	1.95									6.6	194	201.00	4.9	0.80									7.2	178	184.80	4.9	0.85									8.4	157	158.12	5.1	1.00	GS49	4P								9.7	136	137.05	5.2		1.10	GSF49								10	129		128.10	5.2	1.20	GSA49								12	113	110.73	5.3	1.35	GSAF49								14	98	94.08	5.3	1.40									16	89	84.00	5.4	1.45																																																																																																																																																																																																																																																																																																																			
79	17	16.48	2.7	1.80		85	16	15.45	2.6	1.85		96	14	13.63	2.5	1.95		108	13	12.08	2.5	2.00		128	11	10.27	2.4	2.15		0.25kW							2.9	392	217.41	8.9	1.20	GS69	8P								3.4	351	190.11	9.2		1.35	GSF69								3.5	333	180.60	9.3	1.45	GSA69								4.0	297	158.45	9.5	1.55	GSAF69								3.9	315	217.41	9.4	1.50	GS69	6P								4.5	279	190.11	10		1.60	GSF69								4.7	266	180.60	10	1.65	GSA69								5.4	239	158.45	10	1.75	GSAF69								6.1	221	217.41	10	1.85									7.0	198	190.11	10	1.95	GS69	4P								7.4	189	180.60	10		2.00	GSF69								8.4	168		158.45	10	2.10	GSA69								10	145	134.40	10	2.20	GSAF69								11	132	121.33	10	2.30									12	118	106.75	10	2.40									4.2	275	201.00	6.7	0.95	GS59	6P								4.6	257	184.80	6.9		1.00	GSF59								5.4	221		158.12	7.1	1.20	GSA59								6.2	198	137.05	7.3	1.35	GSAF59								6.6	185	128.10	7.4	1.35									6.6	194	201.00	7.3	1.40									7.2	180	184.80	7.4	1.45									8.4	158	158.12	7.5	1.55	GS59	4P								9.7	140	137.05	7.6		1.60	GSF59								10	131		128.10	7.6	1.65	GSA59								12	116	110.73	7.7	1.75	GSAF59								14	100	94.08	7.8	1.85									16	91	84.00	7.8	1.95									6.6	194	201.00	4.9	0.80									7.2	178	184.80	4.9	0.85									8.4	157	158.12	5.1	1.00	GS49	4P								9.7	136	137.05	5.2		1.10	GSF49								10	129		128.10	5.2	1.20	GSA49								12	113	110.73	5.3	1.35	GSAF49								14	98	94.08	5.3	1.40									16	89	84.00	5.4	1.45																																																																																																																																																																																																																																																																																																																									
85	16	15.45	2.6	1.85		96	14	13.63	2.5	1.95		108	13	12.08	2.5	2.00		128	11	10.27	2.4	2.15		0.25kW							2.9	392	217.41	8.9	1.20	GS69	8P								3.4	351	190.11	9.2		1.35	GSF69								3.5	333	180.60	9.3	1.45	GSA69								4.0	297	158.45	9.5	1.55	GSAF69								3.9	315	217.41	9.4	1.50	GS69	6P								4.5	279	190.11	10		1.60	GSF69								4.7	266	180.60	10	1.65	GSA69								5.4	239	158.45	10	1.75	GSAF69								6.1	221	217.41	10	1.85									7.0	198	190.11	10	1.95	GS69	4P								7.4	189	180.60	10		2.00	GSF69								8.4	168		158.45	10	2.10	GSA69								10	145	134.40	10	2.20	GSAF69								11	132	121.33	10	2.30									12	118	106.75	10	2.40									4.2	275	201.00	6.7	0.95	GS59	6P								4.6	257	184.80	6.9		1.00	GSF59								5.4	221		158.12	7.1	1.20	GSA59								6.2	198	137.05	7.3	1.35	GSAF59								6.6	185	128.10	7.4	1.35									6.6	194	201.00	7.3	1.40									7.2	180	184.80	7.4	1.45									8.4	158	158.12	7.5	1.55	GS59	4P								9.7	140	137.05	7.6		1.60	GSF59								10	131		128.10	7.6	1.65	GSA59								12	116	110.73	7.7	1.75	GSAF59								14	100	94.08	7.8	1.85									16	91	84.00	7.8	1.95									6.6	194	201.00	4.9	0.80									7.2	178	184.80	4.9	0.85									8.4	157	158.12	5.1	1.00	GS49	4P								9.7	136	137.05	5.2		1.10	GSF49								10	129		128.10	5.2	1.20	GSA49								12	113	110.73	5.3	1.35	GSAF49								14	98	94.08	5.3	1.40									16	89	84.00	5.4	1.45																																																																																																																																																																																																																																																																																																																															
96	14	13.63	2.5	1.95		108	13	12.08	2.5	2.00		128	11	10.27	2.4	2.15		0.25kW							2.9	392	217.41	8.9	1.20	GS69	8P								3.4	351	190.11	9.2		1.35	GSF69								3.5	333	180.60	9.3	1.45	GSA69								4.0	297	158.45	9.5	1.55	GSAF69								3.9	315	217.41	9.4	1.50	GS69	6P								4.5	279	190.11	10		1.60	GSF69								4.7	266	180.60	10	1.65	GSA69								5.4	239	158.45	10	1.75	GSAF69								6.1	221	217.41	10	1.85									7.0	198	190.11	10	1.95	GS69	4P								7.4	189	180.60	10		2.00	GSF69								8.4	168		158.45	10	2.10	GSA69								10	145	134.40	10	2.20	GSAF69								11	132	121.33	10	2.30									12	118	106.75	10	2.40									4.2	275	201.00	6.7	0.95	GS59	6P								4.6	257	184.80	6.9		1.00	GSF59								5.4	221		158.12	7.1	1.20	GSA59								6.2	198	137.05	7.3	1.35	GSAF59								6.6	185	128.10	7.4	1.35									6.6	194	201.00	7.3	1.40									7.2	180	184.80	7.4	1.45									8.4	158	158.12	7.5	1.55	GS59	4P								9.7	140	137.05	7.6		1.60	GSF59								10	131		128.10	7.6	1.65	GSA59								12	116	110.73	7.7	1.75	GSAF59								14	100	94.08	7.8	1.85									16	91	84.00	7.8	1.95									6.6	194	201.00	4.9	0.80									7.2	178	184.80	4.9	0.85									8.4	157	158.12	5.1	1.00	GS49	4P								9.7	136	137.05	5.2		1.10	GSF49								10	129		128.10	5.2	1.20	GSA49								12	113	110.73	5.3	1.35	GSAF49								14	98	94.08	5.3	1.40									16	89	84.00	5.4	1.45																																																																																																																																																																																																																																																																																																																																					
108	13	12.08	2.5	2.00		128	11	10.27	2.4	2.15		0.25kW							2.9	392	217.41	8.9	1.20	GS69	8P								3.4	351	190.11	9.2		1.35	GSF69								3.5	333	180.60	9.3	1.45	GSA69								4.0	297	158.45	9.5	1.55	GSAF69								3.9	315	217.41	9.4	1.50	GS69	6P								4.5	279	190.11	10		1.60	GSF69								4.7	266	180.60	10	1.65	GSA69								5.4	239	158.45	10	1.75	GSAF69								6.1	221	217.41	10	1.85									7.0	198	190.11	10	1.95	GS69	4P								7.4	189	180.60	10		2.00	GSF69								8.4	168		158.45	10	2.10	GSA69								10	145	134.40	10	2.20	GSAF69								11	132	121.33	10	2.30									12	118	106.75	10	2.40									4.2	275	201.00	6.7	0.95	GS59	6P								4.6	257	184.80	6.9		1.00	GSF59								5.4	221		158.12	7.1	1.20	GSA59								6.2	198	137.05	7.3	1.35	GSAF59								6.6	185	128.10	7.4	1.35									6.6	194	201.00	7.3	1.40									7.2	180	184.80	7.4	1.45									8.4	158	158.12	7.5	1.55	GS59	4P								9.7	140	137.05	7.6		1.60	GSF59								10	131		128.10	7.6	1.65	GSA59								12	116	110.73	7.7	1.75	GSAF59								14	100	94.08	7.8	1.85									16	91	84.00	7.8	1.95									6.6	194	201.00	4.9	0.80									7.2	178	184.80	4.9	0.85									8.4	157	158.12	5.1	1.00	GS49	4P								9.7	136	137.05	5.2		1.10	GSF49								10	129		128.10	5.2	1.20	GSA49								12	113	110.73	5.3	1.35	GSAF49								14	98	94.08	5.3	1.40									16	89	84.00	5.4	1.45																																																																																																																																																																																																																																																																																																																																											
128	11	10.27	2.4	2.15		0.25kW							2.9	392	217.41	8.9	1.20	GS69	8P								3.4	351	190.11	9.2		1.35	GSF69								3.5	333	180.60	9.3	1.45	GSA69								4.0	297	158.45	9.5	1.55	GSAF69								3.9	315	217.41	9.4	1.50	GS69	6P								4.5	279	190.11	10		1.60	GSF69								4.7	266	180.60	10	1.65	GSA69								5.4	239	158.45	10	1.75	GSAF69								6.1	221	217.41	10	1.85									7.0	198	190.11	10	1.95	GS69	4P								7.4	189	180.60	10		2.00	GSF69								8.4	168		158.45	10	2.10	GSA69								10	145	134.40	10	2.20	GSAF69								11	132	121.33	10	2.30									12	118	106.75	10	2.40									4.2	275	201.00	6.7	0.95	GS59	6P								4.6	257	184.80	6.9		1.00	GSF59								5.4	221		158.12	7.1	1.20	GSA59								6.2	198	137.05	7.3	1.35	GSAF59								6.6	185	128.10	7.4	1.35									6.6	194	201.00	7.3	1.40									7.2	180	184.80	7.4	1.45									8.4	158	158.12	7.5	1.55	GS59	4P								9.7	140	137.05	7.6		1.60	GSF59								10	131		128.10	7.6	1.65	GSA59								12	116	110.73	7.7	1.75	GSAF59								14	100	94.08	7.8	1.85									16	91	84.00	7.8	1.95									6.6	194	201.00	4.9	0.80									7.2	178	184.80	4.9	0.85									8.4	157	158.12	5.1	1.00	GS49	4P								9.7	136	137.05	5.2		1.10	GSF49								10	129		128.10	5.2	1.20	GSA49								12	113	110.73	5.3	1.35	GSAF49								14	98	94.08	5.3	1.40									16	89	84.00	5.4	1.45																																																																																																																																																																																																																																																																																																																																																	
0.25kW							2.9	392	217.41	8.9	1.20	GS69	8P																																																																																																																																																																																																																																																																																																																																																																																																																																																																																																																																																																																																																																																																																																																																																																																																																																												
							3.4	351	190.11	9.2	1.35	GSF69									3.5	333	180.60	9.3		1.45	GSA69								4.0	297	158.45	9.5	1.55	GSAF69								3.9	315	217.41	9.4	1.50	GS69	6P								4.5	279	190.11	10	1.60	GSF69								4.7	266	180.60	10	1.65	GSA69								5.4	239	158.45	10	1.75	GSAF69								6.1	221	217.41	10	1.85									7.0	198	190.11	10	1.95	GS69	4P								7.4	189	180.60	10	2.00	GSF69								8.4	168	158.45	10	2.10		GSA69								10	145	134.40		10	2.20	GSAF69								11	132	121.33	10	2.30									12	118	106.75	10	2.40									4.2	275	201.00	6.7	0.95	GS59	6P								4.6	257	184.80	6.9	1.00	GSF59								5.4	221	158.12	7.1	1.20		GSA59								6.2	198	137.05	7.3	1.35	GSAF59								6.6	185	128.10	7.4	1.35									6.6	194	201.00	7.3	1.40									7.2	180	184.80	7.4	1.45									8.4	158	158.12	7.5	1.55	GS59	4P								9.7	140	137.05	7.6	1.60	GSF59									10	131	128.10	7.6	1.65		GSA59								12	116	110.73		7.7	1.75	GSAF59								14	100	94.08	7.8	1.85									16	91	84.00	7.8	1.95									6.6	194	201.00	4.9	0.80									7.2	178	184.80	4.9	0.85									8.4	157	158.12	5.1	1.00	GS49	4P								9.7	136	137.05	5.2	1.10	GSF49								10	129	128.10	5.2	1.20		GSA49								12	113	110.73		5.3	1.35	GSAF49								14	98	94.08	5.3	1.40									16	89	84.00	5.4	1.45																																																																																																																																																																																																																																																																																																																																																																					
							3.5	333	180.60	9.3	1.45	GSA69									4.0	297	158.45	9.5	1.55	GSAF69								3.9	315	217.41	9.4	1.50	GS69	6P								4.5	279	190.11	10	1.60	GSF69									4.7	266	180.60	10	1.65	GSA69								5.4	239	158.45	10	1.75	GSAF69								6.1	221	217.41	10	1.85									7.0	198	190.11	10	1.95	GS69	4P								7.4	189	180.60	10	2.00		GSF69								8.4	168	158.45	10	2.10	GSA69								10	145	134.40	10		2.20	GSAF69								11	132	121.33	10	2.30									12	118	106.75	10	2.40									4.2	275	201.00	6.7	0.95	GS59	6P								4.6	257	184.80	6.9	1.00		GSF59								5.4	221	158.12	7.1	1.20	GSA59								6.2	198	137.05	7.3		1.35	GSAF59								6.6	185	128.10	7.4	1.35									6.6	194	201.00	7.3	1.40									7.2	180	184.80	7.4	1.45									8.4	158	158.12	7.5	1.55	GS59	4P								9.7	140	137.05	7.6		1.60	GSF59								10	131	128.10	7.6	1.65	GSA59								12	116	110.73	7.7		1.75	GSAF59								14	100	94.08	7.8	1.85									16	91	84.00	7.8	1.95									6.6	194	201.00	4.9	0.80									7.2	178	184.80	4.9	0.85									8.4	157	158.12	5.1	1.00	GS49	4P								9.7	136	137.05	5.2	1.10		GSF49								10	129	128.10	5.2	1.20	GSA49								12	113	110.73	5.3		1.35	GSAF49								14	98	94.08	5.3	1.40									16	89	84.00	5.4	1.45																																																																																																																																																																																																																																																																																																																																																																																		
							4.0	297	158.45	9.5	1.55	GSAF69									3.9	315	217.41	9.4	1.50	GS69	6P								4.5	279	190.11	10	1.60		GSF69								4.7	266	180.60	10	1.65		GSA69								5.4	239	158.45	10	1.75	GSAF69								6.1	221	217.41	10	1.85									7.0	198	190.11	10	1.95	GS69	4P								7.4	189	180.60	10		2.00	GSF69								8.4	168	158.45		10	2.10	GSA69								10	145	134.40	10	2.20	GSAF69								11	132		121.33	10	2.30									12	118	106.75	10	2.40									4.2	275	201.00	6.7	0.95	GS59	6P								4.6	257	184.80		6.9	1.00	GSF59								5.4	221		158.12	7.1	1.20	GSA59								6.2	198	137.05	7.3	1.35	GSAF59								6.6	185	128.10	7.4	1.35									6.6	194	201.00	7.3	1.40									7.2	180	184.80	7.4	1.45									8.4	158	158.12	7.5	1.55	GS59	4P								9.7	140	137.05		7.6	1.60	GSF59								10		131	128.10	7.6	1.65	GSA59								12	116	110.73	7.7	1.75	GSAF59								14		100	94.08	7.8	1.85									16	91	84.00	7.8	1.95									6.6	194	201.00	4.9	0.80									7.2	178	184.80	4.9	0.85									8.4	157	158.12	5.1	1.00	GS49	4P								9.7	136		137.05	5.2	1.10	GSF49								10		129	128.10	5.2	1.20	GSA49								12	113	110.73	5.3	1.35	GSAF49									14	98	94.08	5.3	1.40									16	89	84.00	5.4	1.45																																																																																																																																																																																																																																																																																																																																																																																											
							3.9	315	217.41	9.4	1.50	GS69	6P																																																																																																																																																																																																																																																																																																																																																																																																																																																																																																																																																																																																																																																																																																																																																																																																																																												
							4.5	279	190.11	10	1.60	GSF69									4.7	266	180.60	10	1.65	GSA69									5.4	239	158.45	10	1.75	GSAF69								6.1	221	217.41	10	1.85									7.0	198	190.11	10	1.95	GS69	4P								7.4	189	180.60	10	2.00	GSF69								8.4	168	158.45	10	2.10	GSA69								10	145	134.40	10	2.20	GSAF69									11	132	121.33	10	2.30										12	118	106.75	10	2.40									4.2	275	201.00	6.7	0.95	GS59	6P								4.6	257	184.80	6.9	1.00	GSF59								5.4	221	158.12	7.1	1.20	GSA59								6.2	198	137.05	7.3	1.35	GSAF59									6.6	185	128.10	7.4	1.35										6.6	194	201.00	7.3	1.40									7.2	180	184.80	7.4	1.45									8.4	158	158.12	7.5	1.55	GS59	4P								9.7	140	137.05	7.6	1.60	GSF59								10	131	128.10	7.6	1.65	GSA59								12	116	110.73	7.7	1.75	GSAF59									14	100	94.08	7.8		1.85									16	91	84.00	7.8	1.95									6.6	194	201.00	4.9	0.80									7.2	178	184.80	4.9	0.85									8.4	157	158.12	5.1	1.00	GS49	4P								9.7	136	137.05	5.2	1.10	GSF49								10	129	128.10	5.2	1.20	GSA49								12	113	110.73	5.3	1.35	GSAF49									14	98	94.08	5.3	1.40										16	89	84.00	5.4	1.45																																																																																																																																																																																																																																																																																																																																																																																																																										
							4.7	266	180.60	10	1.65	GSA69									5.4	239	158.45	10	1.75	GSAF69								6.1	221	217.41	10	1.85									7.0	198	190.11	10	1.95	GS69	4P								7.4	189	180.60	10	2.00	GSF69									8.4	168	158.45	10	2.10	GSA69								10	145	134.40	10	2.20	GSAF69								11	132	121.33	10	2.30										12	118	106.75	10	2.40										4.2	275	201.00	6.7	0.95	GS59	6P								4.6	257	184.80	6.9	1.00		GSF59								5.4	221	158.12	7.1	1.20	GSA59								6.2	198	137.05	7.3	1.35	GSAF59								6.6	185	128.10	7.4	1.35										6.6	194	201.00	7.3	1.40									7.2	180	184.80	7.4	1.45									8.4	158	158.12	7.5	1.55	GS59	4P								9.7	140	137.05	7.6	1.60		GSF59								10	131	128.10	7.6	1.65	GSA59								12	116	110.73	7.7	1.75	GSAF59								14	100	94.08	7.8	1.85										16	91	84.00		7.8	1.95									6.6	194	201.00	4.9	0.80									7.2	178	184.80	4.9	0.85									8.4	157	158.12	5.1	1.00	GS49	4P								9.7	136	137.05	5.2		1.10	GSF49								10	129	128.10	5.2	1.20	GSA49								12	113	110.73	5.3	1.35	GSAF49								14	98	94.08	5.3		1.40									16	89	84.00		5.4	1.45																																																																																																																																																																																																																																																																																																																																																																																																																																					
							5.4	239	158.45	10	1.75	GSAF69								6.1	221	217.41	10	1.85									7.0	198	190.11	10	1.95	GS69	4P								7.4	189	180.60	10	2.00	GSF69									8.4	168	158.45	10	2.10	GSA69									10	145	134.40	10	2.20	GSAF69								11	132	121.33	10	2.30									12	118	106.75	10	2.40										4.2	275	201.00	6.7	0.95	GS59	6P								4.6	257	184.80	6.9	1.00	GSF59									5.4	221	158.12	7.1	1.20		GSA59								6.2	198	137.05	7.3	1.35	GSAF59								6.6	185	128.10	7.4	1.35									6.6	194	201.00	7.3	1.40									7.2	180	184.80	7.4	1.45									8.4	158	158.12	7.5	1.55	GS59	4P								9.7	140	137.05	7.6	1.60	GSF59									10	131	128.10	7.6	1.65		GSA59								12	116	110.73	7.7	1.75	GSAF59								14	100	94.08	7.8	1.85									16	91	84.00	7.8	1.95										6.6	194	201.00	4.9	0.80									7.2	178	184.80	4.9	0.85									8.4	157	158.12	5.1	1.00	GS49	4P								9.7	136	137.05	5.2	1.10	GSF49									10	129	128.10	5.2		1.20	GSA49								12	113	110.73	5.3	1.35	GSAF49								14	98	94.08	5.3	1.40									16	89	84.00	5.4		1.45																																																																																																																																																																																																																																																																																																																																																																																																																																																			
							6.1	221	217.41	10	1.85									7.0	198	190.11	10	1.95	GS69	4P								7.4	189	180.60	10	2.00		GSF69								8.4	168	158.45	10	2.10		GSA69								10	145	134.40	10	2.20		GSAF69								11	132	121.33	10	2.30									12	118	106.75	10	2.40										4.2	275	201.00	6.7	0.95	GS59	6P								4.6	257	184.80	6.9		1.00	GSF59								5.4	221	158.12	7.1		1.20	GSA59								6.2	198	137.05		7.3	1.35	GSAF59								6.6	185	128.10	7.4	1.35									6.6	194	201.00	7.3	1.40									7.2	180	184.80	7.4	1.45									8.4	158	158.12	7.5	1.55	GS59	4P								9.7	140	137.05		7.6	1.60	GSF59								10	131	128.10		7.6	1.65	GSA59								12	116		110.73	7.7	1.75	GSAF59								14	100	94.08	7.8	1.85									16	91	84.00	7.8		1.95									6.6	194	201.00	4.9	0.80									7.2	178	184.80	4.9	0.85									8.4	157	158.12	5.1	1.00	GS49	4P								9.7	136		137.05	5.2	1.10	GSF49								10	129		128.10	5.2	1.20	GSA49									12	113	110.73	5.3	1.35	GSAF49								14	98	94.08	5.3	1.40									16	89	84.00		5.4	1.45																																																																																																																																																																																																																																																																																																																																																																																																																																																												
							7.0	198	190.11	10	1.95	GS69	4P																																																																																																																																																																																																																																																																																																																																																																																																																																																																																																																																																																																																																																																																																																																																																																																																																																												
							7.4	189	180.60	10	2.00	GSF69									8.4	168	158.45	10	2.10		GSA69								10	145	134.40	10		2.20	GSAF69								11	132	121.33	10		2.30									12	118	106.75	10		2.40									4.2	275	201.00	6.7	0.95	GS59	6P								4.6	257	184.80	6.9	1.00	GSF59								5.4	221	158.12	7.1	1.20		GSA59								6.2	198	137.05		7.3	1.35	GSAF59								6.6	185	128.10		7.4	1.35									6.6	194	201.00	7.3	1.40									7.2	180	184.80	7.4	1.45									8.4	158	158.12	7.5	1.55	GS59	4P								9.7	140	137.05	7.6	1.60	GSF59								10	131	128.10	7.6	1.65		GSA59								12	116		110.73	7.7	1.75	GSAF59								14	100		94.08	7.8	1.85									16		91	84.00	7.8	1.95									6.6	194	201.00	4.9	0.80									7.2	178	184.80	4.9	0.85									8.4	157	158.12	5.1	1.00	GS49	4P								9.7	136	137.05	5.2	1.10	GSF49								10	129	128.10	5.2	1.20		GSA49								12		113	110.73	5.3	1.35	GSAF49								14		98	94.08	5.3	1.40									16	89	84.00	5.4	1.45																																																																																																																																																																																																																																																																																																																																																																																																																																																																																							
							8.4	168	158.45	10	2.10	GSA69									10	145	134.40	10	2.20		GSAF69								11	132	121.33	10		2.30									12	118	106.75	10		2.40									4.2	275	201.00	6.7	0.95	GS59	6P								4.6	257	184.80	6.9	1.00	GSF59									5.4	221	158.12	7.1	1.20	GSA59								6.2	198	137.05	7.3	1.35		GSAF59								6.6	185	128.10		7.4	1.35									6.6	194	201.00	7.3	1.40									7.2	180	184.80	7.4	1.45									8.4	158	158.12	7.5	1.55	GS59	4P								9.7	140	137.05	7.6	1.60	GSF59									10	131	128.10	7.6	1.65	GSA59								12	116	110.73	7.7	1.75		GSAF59								14	100		94.08	7.8	1.85									16	91		84.00	7.8	1.95									6.6	194	201.00	4.9	0.80									7.2	178	184.80	4.9	0.85									8.4	157	158.12	5.1	1.00	GS49	4P								9.7	136	137.05	5.2	1.10	GSF49									10	129	128.10	5.2	1.20	GSA49								12	113	110.73	5.3	1.35		GSAF49								14		98	94.08	5.3	1.40									16		89	84.00	5.4	1.45																																																																																																																																																																																																																																																																																																																																																																																																																																																																																																				
							10	145	134.40	10	2.20	GSAF69									11	132	121.33	10	2.30										12	118	106.75	10		2.40									4.2	275	201.00	6.7	0.95	GS59	6P								4.6	257	184.80	6.9	1.00	GSF59									5.4	221	158.12	7.1	1.20	GSA59									6.2	198	137.05	7.3	1.35	GSAF59								6.6	185	128.10	7.4	1.35										6.6	194	201.00	7.3	1.40									7.2	180	184.80	7.4	1.45									8.4	158	158.12	7.5	1.55	GS59	4P								9.7	140	137.05	7.6	1.60	GSF59									10	131	128.10	7.6	1.65	GSA59									12	116	110.73	7.7	1.75	GSAF59								14	100	94.08	7.8	1.85										16	91		84.00	7.8	1.95									6.6	194	201.00	4.9	0.80									7.2	178	184.80	4.9	0.85									8.4	157	158.12	5.1	1.00	GS49	4P								9.7	136	137.05	5.2	1.10	GSF49									10	129	128.10	5.2	1.20	GSA49									12	113	110.73	5.3	1.35	GSAF49								14	98	94.08	5.3	1.40										16		89	84.00	5.4	1.45																																																																																																																																																																																																																																																																																																																																																																																																																																																																																																																		
							11	132	121.33	10	2.30										12	118	106.75	10	2.40										4.2	275	201.00	6.7	0.95	GS59	6P								4.6	257	184.80	6.9	1.00	GSF59									5.4	221	158.12	7.1	1.20	GSA59									6.2	198	137.05	7.3	1.35	GSAF59									6.6	185	128.10	7.4	1.35									6.6	194	201.00	7.3	1.40									7.2	180	184.80	7.4	1.45									8.4	158	158.12	7.5	1.55	GS59	4P								9.7	140	137.05	7.6	1.60	GSF59									10	131	128.10	7.6	1.65	GSA59									12	116	110.73	7.7	1.75	GSAF59									14	100	94.08	7.8	1.85									16	91	84.00	7.8	1.95										6.6	194	201.00	4.9	0.80									7.2	178	184.80	4.9	0.85									8.4	157	158.12	5.1	1.00	GS49	4P								9.7	136	137.05	5.2	1.10	GSF49									10	129	128.10	5.2	1.20	GSA49									12	113	110.73	5.3	1.35	GSAF49									14	98	94.08	5.3	1.40									16	89	84.00	5.4	1.45																																																																																																																																																																																																																																																																																																																																																																																																																																																																																																																																	
							12	118	106.75	10	2.40										4.2	275	201.00	6.7	0.95	GS59	6P								4.6	257	184.80	6.9	1.00	GSF59									5.4	221	158.12	7.1	1.20	GSA59									6.2	198	137.05	7.3	1.35	GSAF59									6.6	185	128.10	7.4	1.35										6.6	194	201.00	7.3	1.40									7.2	180	184.80	7.4	1.45									8.4	158	158.12	7.5	1.55	GS59	4P								9.7	140	137.05	7.6	1.60		GSF59								10	131	128.10	7.6	1.65		GSA59								12	116	110.73	7.7	1.75		GSAF59								14	100	94.08	7.8	1.85										16	91	84.00	7.8	1.95									6.6	194	201.00	4.9	0.80									7.2	178	184.80	4.9	0.85									8.4	157	158.12	5.1	1.00	GS49	4P								9.7	136	137.05	5.2	1.10		GSF49								10	129	128.10	5.2	1.20		GSA49								12	113	110.73	5.3	1.35		GSAF49								14	98	94.08	5.3	1.40										16	89	84.00	5.4	1.45																																																																																																																																																																																																																																																																																																																																																																																																																																																																																																																																													
							4.2	275	201.00	6.7	0.95	GS59	6P																																																																																																																																																																																																																																																																																																																																																																																																																																																																																																																																																																																																																																																																																																																																																																																																																																												
							4.6	257	184.80	6.9	1.00	GSF59									5.4	221	158.12	7.1	1.20	GSA59									6.2	198	137.05	7.3	1.35	GSAF59									6.6	185	128.10	7.4	1.35										6.6	194	201.00	7.3	1.40									7.2	180	184.80	7.4	1.45									8.4	158	158.12	7.5	1.55	GS59	4P								9.7	140	137.05	7.6	1.60	GSF59								10	131	128.10	7.6	1.65	GSA59								12	116	110.73	7.7	1.75	GSAF59								14	100	94.08	7.8	1.85									16	91	84.00	7.8	1.95									6.6	194	201.00	4.9	0.80									7.2	178	184.80	4.9	0.85									8.4	157	158.12	5.1	1.00	GS49	4P								9.7	136	137.05	5.2	1.10	GSF49								10	129	128.10	5.2	1.20	GSA49								12	113	110.73	5.3	1.35	GSAF49								14	98	94.08	5.3	1.40									16	89	84.00	5.4	1.45																																																																																																																																																																																																																																																																																																																																																																																																																																																																																																																																																																																	
							5.4	221	158.12	7.1	1.20	GSA59									6.2	198	137.05	7.3	1.35	GSAF59									6.6	185	128.10	7.4	1.35										6.6	194	201.00	7.3	1.40									7.2	180	184.80	7.4	1.45									8.4	158	158.12	7.5	1.55	GS59	4P								9.7	140	137.05	7.6	1.60	GSF59									10	131	128.10	7.6	1.65	GSA59								12	116	110.73	7.7	1.75	GSAF59								14	100	94.08	7.8	1.85									16	91	84.00	7.8	1.95									6.6	194	201.00	4.9	0.80									7.2	178	184.80	4.9	0.85									8.4	157	158.12	5.1	1.00	GS49	4P								9.7	136	137.05	5.2	1.10		GSF49								10	129	128.10	5.2	1.20	GSA49								12	113	110.73	5.3	1.35	GSAF49								14	98	94.08	5.3	1.40									16	89	84.00	5.4	1.45																																																																																																																																																																																																																																																																																																																																																																																																																																																																																																																																																																																													
							6.2	198	137.05	7.3	1.35	GSAF59									6.6	185	128.10	7.4	1.35										6.6	194	201.00	7.3	1.40									7.2	180	184.80	7.4	1.45									8.4	158	158.12	7.5	1.55	GS59	4P								9.7	140	137.05	7.6	1.60	GSF59									10	131	128.10	7.6	1.65	GSA59									12	116	110.73	7.7	1.75	GSAF59								14	100	94.08	7.8	1.85									16	91	84.00	7.8	1.95									6.6	194	201.00	4.9	0.80									7.2	178	184.80	4.9	0.85									8.4	157	158.12	5.1	1.00	GS49	4P								9.7	136	137.05	5.2	1.10		GSF49								10	129	128.10	5.2		1.20	GSA49								12	113	110.73	5.3	1.35	GSAF49								14	98	94.08	5.3	1.40									16	89	84.00	5.4	1.45																																																																																																																																																																																																																																																																																																																																																																																																																																																																																																																																																																																																									
							6.6	185	128.10	7.4	1.35										6.6	194	201.00	7.3	1.40									7.2	180	184.80	7.4	1.45									8.4	158	158.12	7.5	1.55	GS59	4P								9.7	140	137.05	7.6	1.60	GSF59									10	131	128.10	7.6	1.65	GSA59									12	116	110.73	7.7	1.75	GSAF59									14	100	94.08	7.8	1.85									16	91	84.00	7.8	1.95									6.6	194	201.00	4.9	0.80									7.2	178	184.80	4.9	0.85									8.4	157	158.12	5.1	1.00	GS49	4P								9.7	136	137.05	5.2	1.10		GSF49								10	129	128.10	5.2		1.20	GSA49								12	113	110.73		5.3	1.35	GSAF49								14	98	94.08	5.3	1.40									16	89	84.00	5.4	1.45																																																																																																																																																																																																																																																																																																																																																																																																																																																																																																																																																																																																																					
							6.6	194	201.00	7.3	1.40									7.2	180	184.80	7.4	1.45									8.4	158	158.12	7.5	1.55	GS59	4P								9.7	140	137.05	7.6	1.60	GSF59									10	131	128.10	7.6	1.65	GSA59									12	116	110.73	7.7	1.75	GSAF59									14	100	94.08	7.8	1.85										16	91	84.00	7.8	1.95									6.6	194	201.00	4.9	0.80									7.2	178	184.80	4.9	0.85									8.4	157	158.12	5.1	1.00	GS49	4P								9.7	136	137.05	5.2	1.10		GSF49								10	129	128.10	5.2		1.20	GSA49								12	113	110.73		5.3	1.35	GSAF49								14	98		94.08	5.3	1.40									16	89	84.00	5.4	1.45																																																																																																																																																																																																																																																																																																																																																																																																																																																																																																																																																																																																																																	
							7.2	180	184.80	7.4	1.45									8.4	158	158.12	7.5	1.55	GS59	4P								9.7	140	137.05	7.6	1.60		GSF59								10	131	128.10	7.6	1.65		GSA59								12	116	110.73	7.7	1.75		GSAF59								14	100	94.08	7.8	1.85										16	91	84.00	7.8	1.95										6.6	194	201.00	4.9	0.80									7.2	178	184.80	4.9	0.85									8.4	157	158.12	5.1	1.00	GS49	4P								9.7	136	137.05	5.2		1.10	GSF49								10	129	128.10		5.2	1.20	GSA49								12	113		110.73	5.3	1.35	GSAF49								14		98	94.08	5.3	1.40										16	89	84.00	5.4	1.45																																																																																																																																																																																																																																																																																																																																																																																																																																																																																																																																																																																																																																												
							8.4	158	158.12	7.5	1.55	GS59	4P																																																																																																																																																																																																																																																																																																																																																																																																																																																																																																																																																																																																																																																																																																																																																																																																																																												
							9.7	140	137.05	7.6	1.60	GSF59									10	131	128.10	7.6	1.65		GSA59								12	116	110.73	7.7		1.75	GSAF59								14	100	94.08	7.8		1.85									16	91	84.00	7.8		1.95									6.6	194	201.00	4.9	0.80									7.2	178	184.80	4.9	0.85									8.4	157	158.12	5.1	1.00	GS49	4P								9.7	136	137.05	5.2	1.10	GSF49								10	129	128.10	5.2	1.20	GSA49									12	113	110.73	5.3		1.35	GSAF49								14	98	94.08		5.3	1.40									16	89		84.00	5.4	1.45																																																																																																																																																																																																																																																																																																																																																																																																																																																																																																																																																																																																																																																																								
							10	131	128.10	7.6	1.65	GSA59									12	116	110.73	7.7	1.75		GSAF59								14	100	94.08	7.8		1.85									16	91	84.00	7.8		1.95									6.6	194	201.00	4.9	0.80									7.2	178	184.80	4.9	0.85									8.4	157	158.12	5.1	1.00	GS49	4P								9.7	136	137.05	5.2	1.10	GSF49									10	129	128.10	5.2	1.20	GSA49								12	113	110.73	5.3	1.35	GSAF49									14	98	94.08	5.3		1.40									16	89	84.00		5.4	1.45																																																																																																																																																																																																																																																																																																																																																																																																																																																																																																																																																																																																																																																																																						
							12	116	110.73	7.7	1.75	GSAF59									14	100	94.08	7.8	1.85										16	91	84.00	7.8		1.95									6.6	194	201.00	4.9	0.80									7.2	178	184.80	4.9	0.85									8.4	157	158.12	5.1	1.00	GS49	4P								9.7	136	137.05	5.2	1.10	GSF49									10	129	128.10	5.2	1.20	GSA49									12	113	110.73	5.3	1.35	GSAF49								14	98	94.08	5.3	1.40										16	89	84.00	5.4		1.45																																																																																																																																																																																																																																																																																																																																																																																																																																																																																																																																																																																																																																																																																																				
							14	100	94.08	7.8	1.85										16	91	84.00	7.8	1.95										6.6	194	201.00	4.9	0.80									7.2	178	184.80	4.9	0.85									8.4	157	158.12	5.1	1.00	GS49	4P								9.7	136	137.05	5.2	1.10	GSF49									10	129	128.10	5.2	1.20	GSA49									12	113	110.73	5.3	1.35	GSAF49									14	98	94.08	5.3	1.40									16	89	84.00	5.4	1.45																																																																																																																																																																																																																																																																																																																																																																																																																																																																																																																																																																																																																																																																																																																			
							16	91	84.00	7.8	1.95										6.6	194	201.00	4.9	0.80									7.2	178	184.80	4.9	0.85									8.4	157	158.12	5.1	1.00	GS49	4P								9.7	136	137.05	5.2	1.10	GSF49									10	129	128.10	5.2	1.20	GSA49									12	113	110.73	5.3	1.35	GSAF49									14	98	94.08	5.3	1.40										16	89	84.00	5.4	1.45																																																																																																																																																																																																																																																																																																																																																																																																																																																																																																																																																																																																																																																																																																																																
							6.6	194	201.00	4.9	0.80									7.2	178	184.80	4.9	0.85									8.4	157	158.12	5.1	1.00	GS49	4P								9.7	136	137.05	5.2	1.10	GSF49									10	129	128.10	5.2	1.20	GSA49									12	113	110.73	5.3	1.35	GSAF49									14	98	94.08	5.3	1.40										16	89	84.00	5.4	1.45																																																																																																																																																																																																																																																																																																																																																																																																																																																																																																																																																																																																																																																																																																																																														
							7.2	178	184.80	4.9	0.85									8.4	157	158.12	5.1	1.00	GS49	4P								9.7	136	137.05	5.2	1.10		GSF49								10	129	128.10	5.2	1.20		GSA49								12	113	110.73	5.3	1.35		GSAF49								14	98	94.08	5.3	1.40										16	89	84.00	5.4	1.45																																																																																																																																																																																																																																																																																																																																																																																																																																																																																																																																																																																																																																																																																																																																																											
							8.4	157	158.12	5.1	1.00	GS49	4P																																																																																																																																																																																																																																																																																																																																																																																																																																																																																																																																																																																																																																																																																																																																																																																																																																												
							9.7	136	137.05	5.2	1.10	GSF49									10	129	128.10	5.2	1.20		GSA49								12	113	110.73	5.3		1.35	GSAF49								14	98	94.08	5.3		1.40									16	89	84.00	5.4		1.45																																																																																																																																																																																																																																																																																																																																																																																																																																																																																																																																																																																																																																																																																																																																																																																					
							10	129	128.10	5.2	1.20	GSA49									12	113	110.73	5.3	1.35		GSAF49								14	98	94.08	5.3		1.40									16	89	84.00	5.4		1.45																																																																																																																																																																																																																																																																																																																																																																																																																																																																																																																																																																																																																																																																																																																																																																																																			
							12	113	110.73	5.3	1.35	GSAF49									14	98	94.08	5.3	1.40										16	89	84.00	5.4		1.45																																																																																																																																																																																																																																																																																																																																																																																																																																																																																																																																																																																																																																																																																																																																																																																																																	
							14	98	94.08	5.3	1.40										16	89	84.00	5.4	1.45																																																																																																																																																																																																																																																																																																																																																																																																																																																																																																																																																																																																																																																																																																																																																																																																																																
							16	89	84.00	5.4	1.45																																																																																																																																																																																																																																																																																																																																																																																																																																																																																																																																																																																																																																																																																																																																																																																																																																														

选型参数表
(恒功率)
Selection Table
(Constant Power)

n_a [r/min]	M_a [N.m]	i	F_{Ra} [kN]	f_B	机型号 Type size	极数 Pole	n_a [r/min]	M_a [N.m]	i	F_{Ra} [kN]	f_B	机型号 Type size	极数 Pole
0.25kW							0.37kW						
19	77	71.75	5.4	1.55	GS49 GSF49 GSA49 GSAF49	4P	2.9	662	225.26	14	1.65	GS79	8P
19	87	69.39	5.4	1.40			GSF79						
20	72	67.20	5.5	1.60			GSA79						
21	81	63.80	5.4	1.45			GSAF79						
24	70	54.59	5.4	1.55			GS79 GSF79 GSA79 GSAF79	6P	3.5	581	256.47	15	1.75
28	61	47.32	5.5	1.65					4.0	518	225.26	15	1.85
13	97	98.80	2.8	0.85	4.2	491			214.00	15	1.90		
15	86	86.36	2.8	0.90	GS39 GSF39 GSA39 GSAF39	4P	4.1	455	217.41	8.4	1.10	GS69	6P
16	82	80.96	2.8	0.95			4.7	405	190.11	8.8	1.25	GSF69	
19	73	71.44	2.8	1.00			4.9	387	180.60	8.9	1.35	GSA69	
21	66	63.33	2.8	1.05			5.6	342	158.45	9.2	1.45	GSAF69	
24	70	55.93	2.8	1.05			6.1	311	217.41	9.4	1.50	GS69 GSF69 GSA69 GSAF69	4P
26	65	51.30	2.8	1.05			7.0	279	190.11	10	1.60		
30	56	43.68	2.8	1.15			7.4	266	180.60	10	1.65		
35	49	37.66	2.8	1.20			8.4	234	158.45	10	1.70		
38	46	35.10	2.8	1.20			9.9	203	134.40	10	1.85	GS59 GSF59 GSA59 GSAF59	6P
43	41	30.68	2.8	1.30			11	185	121.33	10	1.90		
46	38	28.76	2.8	1.30			5.6	355	158.12	6.2	0.80		
52	33	25.38	2.8	1.40	6.5	316	137.05	6.6	0.95	GS59 GSF59 GSA59 GSAF59	6P		
59	30	22.50	2.8	1.45	6.9	296	128.10	6.7	1.00				
70	29	19.13	2.7	1.60	8.0	263	110.73	7.0	1.10				
71	26	18.85	2.7	1.50	9.4	226	94.08	7.2	1.30				
81	23	16.48	2.6	1.60	11	205	84.00	7.4	1.35	GS59 GSF59 GSA59 GSAF59	4P		
86	20	15.45	2.6	1.65	6.6	275	201.00	6.7	0.95				
98	18	13.63	2.5	1.70	7.2	257	184.80	6.9	1.05				
110	16	12.08	2.4	1.80	8.4	221	158.12	7.1	1.20				
130	15	10.27	2.3	1.85	9.7	198	137.05	7.3	1.35				
95	19	28.76	2.6	1.70	10	185	128.10	7.4	1.35				
107	17	25.38	2.5	1.75	12	162	110.73	7.5	1.45				
121	15	22.50	2.4	1.85	14	140	94.08	7.6	1.50				
142	14	19.13	2.3	1.95	16	127	84.00	7.7	1.60				
144	14	18.85	2.2	1.90	19	110	71.75	7.7	1.70				
165	12	16.48	2.2	2.00	19	125	69.39	7.7	1.60				
176	12	15.45	2.1	2.05	20	104	67.20	7.7	1.70				
200	10	13.63	2.1	2.15	21	115	63.80	7.7	1.65				
225	8	12.08	2.0	2.20	10	189	137.05	4.9	0.80				
0.37kW							10	179	128.10	4.9	0.85	GS49 GSF49 GSA49 GSAF49	4P
0.31	7586	4328	40	0.85	GS109R79 GSF109R79 GSA109R79 GSAF109R79	4P	12	158	110.73	5.1	0.95		
0.65	2574	2054	24	1.00	GS89R59								
0.73	2286	1824	26	1.10	GSF89R59								
0.82	2043	1631	27	1.20	GSA89R59								
1.4	1206	930	28	1.70	GSAF89R59								
1.6	1089	831	28	1.75									
1.9	1179	714	11	1.00	GS79R39 GSF79R39 GSA79R39 GSAF79R39	4P	21	113	63.80	5.2	1.20		
2.1	1053	637	12	1.15			24	98	54.59	5.3	1.30		
2.3	954	574	13	1.25			28	86	47.32	5.1	1.35		
2.7	819	499	14	1.35			30	81	44.23	5.1	1.40		
3.0	720	438	14	1.50			35	70	38.23	4.9	1.45		
3.4	639	389	15	1.60			41	60	32.48	4.7	1.55		
3.6	563	365	7.3	0.85	46	54	29.00	4.6	1.65	GS49 GSF49 GSA49 GSAF49	4P		
4.2	491	319	8.1	1.00	54	47	24.77	4.4	1.70				
4.7	432	281	8.6	1.10	57	44	23.20	4.3	1.75				
5.4	387	246	9.0	1.25	68	41	19.54	4.0	1.90				
2.3	882	288.00	28	2.00	GS69R39 GSF69R39 GSA69R39 GSAF69R39	4P	75	36	17.80	3.8	2.00		
2.6	801	258.18	28	2.10	88		33	15.12	3.8	2.10			
3.0	698	222.40	28	2.25	21		93	63.33	2.8	0.85			
					GS89 GSF89 GSA89 GSAF89		8P	26	91	51.30	2.8	0.85	
					30	78		43.68	2.8	0.95			
					35	68		37.66	2.8	1.00			
					38	64		35.10	2.8	1.00			

选型参数表
(恒功率)
Selection Table
(Constant Power)

n_a [r/min]	M_a [N.m]	i	F_{Ra} [kN]	f_B	机型号 Type size	极数 Pole	n_a [r/min]	M_a [N.m]	i	F_{Ra} [kN]	f_B	机型号 Type size	极数 Pole		
0.37kW							0.55kW								
43	57	30.68	2.8	1.05	GS39 GSF39 GSA39 GSAF39	4P	5.4	594	256.47	15	1.70	GS79	4P		
46	53	28.76	2.8	1.10			6.2	531	225.26	15	1.80	GSF79			
52	47	25.38	2.8	1.20			6.5	504	214.00	15	1.85	GSA79			
59	42	22.50	2.7	1.20			7.4	455	189.09	15	1.95	GSAF79			
70	40	19.13	2.5	1.30			GS39 GSF39 GSA39 GSAF39	2P	6.4	468	217.41	8.2	1.00	GS69	4P
71	37	18.85	2.4	1.25					7.3	419	190.11	8.7	1.10	GSF69	
81	32	16.48	2.4	1.30					7.7	401	180.60	8.8	1.15	GSA69	
86	27	15.45	2.4	1.35					8.8	356	158.45	9.1	1.30	GSAF69	
98	25	13.63	2.3	1.40					10	306	134.40	9.4	1.50		
110	23	12.08	2.3	1.40					11	279	121.33	10	1.55		
130	21	10.27	2.2	1.50	13	248			106.75	10	1.65	GS69	4P		
108	25	25.38	2.4	1.45	14	239			100.80	10	1.65	GSF69			
122	23	22.50	2.3	1.50	16	207			85.83	10	1.75	GSA69			
143	22	19.13	2.2	1.60	19	207			75.06	10	1.70	GSAF69			
145	20	18.85	2.1	1.55	GS39 GSF39 GSA39 GSAF39	2P	21	185	65.63	10	1.75				
166	17	16.48	2.1	1.65			9.5	306	94.08	6.4	0.85	GS59 GSF59 GSA59 GSAF59	6P		
177	14	15.45	2.1	1.65			11	275	84.00	6.7	0.95				
201	14	13.63	2.0	1.75			12	239	71.75	7.0	1.10				
227	12	12.08	1.9	1.80			13	225	67.20	7.1	1.15				
267	11	10.27	1.8	1.95			16	221	54.59	7.1	1.10				
							19	194	47.32	7.3	1.30				
							20	180	44.23	7.4	1.35				
							23	158	38.23	7.5	1.40				
							8.8	333	158.12	6.0	0.80				
					10	297	137.05	6.5	0.90						
					11	279	128.10	6.7	0.95						
					13	243	110.73	7.0	1.10						
					15	212	94.08	7.2	1.25						
					17	189	84.00	7.3	1.30						
					19	166	71.75	7.5	1.40						
					21	157	67.20	7.5	1.40						
					25	150	54.59	7.6	1.45						
					29	131	47.32	7.6	1.55						
					31	123	44.23	7.7	1.55						
					36	108	38.23	7.7	1.65						
					43	93	32.48	7.6	1.75						
					48	83	29.00	7.3	1.85						
					56	71	24.77	7.0	1.95						
					60	68	23.20	6.9	2.00						
					71	62	19.54	6.4	2.10						
					17	185	84.00	4.9	0.80						
					19	161	71.75	5.0	0.95						
					21	152	67.20	5.1	1.00						
					25	149	54.59	4.9	0.95						
					29	130	47.32	4.8	1.10						
					31	122	44.23	4.7	1.15						
					36	106	38.23	4.6	1.20						
					43	91	32.48	4.4	1.30						
					48	82	29.00	4.3	1.30						
					56	70	24.77	4.2	1.40						
					60	67	23.20	4.1	1.45						
					71	62	19.54	3.7	1.55						
					78	54	17.80	3.6	1.65						
					92	50	15.12	3.6	1.75						
					103	44	13.50	3.4	1.80						
					121	38	11.53	3.3	1.90						
					129	33	10.80	3.2	1.95						
					153	29	9.10	3.1	2.10						
					45	85	30.68	2.5	0.80						
					48	80	28.76	2.5	0.85						
					55	71	25.38	2.5	0.95						
					62	63	22.50	2.5	1.00						
										GS39	4P				
										GSF39					
										GSA39					
										GSAF39					

选型参数表
(恒功率)
Selection Table
(Constant Power)

n_a [r/min]	M_a [N.m]	i	F_{Ra} [kN]	f_B	机型号 Type size	极数 Pole	n_a [r/min]	M_a [N.m]	i	F_{Ra} [kN]	f_B	机型号 Type size	极数 Pole
0.55kW							0.75kW						
73	54	19.13	2.4	1.05			8.6	527	161.60	15	1.75	GS79	
74	53	18.85	2.4	1.05	GS39		9.4	491	148.15	15	1.80	GSF79	4P
84	48	16.48	2.2	1.10	GSF39		11	432	130.00	15	1.90	GSA79	
90	45	15.45	2.1	1.10	GSA39		11	414	123.20	15	1.95	GSAF79	
102	40	13.63	2.1	1.15	GSAF39		13	365	107.83	15	2.05		
115	36	12.08	2.1	1.20			7.3	563	190.11	7.2	0.80		
135	31	10.27	2.0	1.30			7.7	536	180.60	7.5	0.85		
95	41	28.76	2.3	1.15			8.8	477	158.45	8.1	1.00		
108	37	25.38	2.2	1.20			10	414	134.40	8.7	1.15		
122	33	22.50	2.2	1.25			11	378	121.33	9.0	1.25	GS69	4P
143	28	19.13	2.0	1.30	GS39		13	338	106.75	9.3	1.40	GSF69	
145	28	18.85	2.0	1.30	GSF39		14	320	100.80	9.4	1.40	GSA69	
166	24	16.48	1.9	1.35	GSA39		16	275	85.83	10	1.50	GSAF69	
177	23	15.45	1.9	1.35	GSAF39		19	279	75.06	10	1.50		
201	21	13.63	1.9	1.45			21	248	65.63	10	1.55		
227	18	12.08	1.7	1.50			22	234	62.35	10	1.60		
267	15	10.27	1.7	1.60			25	207	54.70	10	1.65		
							30	178	46.40	9.3	1.80		
							13	329	71.75	6.1	0.80	GS59	
0.63	8406	2208	40	0.85	GS109R79		14	311	67.20	6.3	0.85	GSF59	
0.71	6628	1950	40	1.00	GSF109R79		16	284	56.61	6.8	1.00	GSA59	
					GSA109R79		19	266	47.32	6.8	0.90	GSAF59	
					GSAF109R79		21	248	44.23	6.9	1.00		
1.1	4419	1223	20	0.85			13	329	110.73	6.1	0.80		
1.3	3870	1070	29	1.00			15	284	94.08	6.6	0.95		
1.5	3339	928	32	1.15	GS99R59		17	257	84.00	6.8	1.05	GS59	4P
1.7	2943	824	33	1.30	GSF99R59		19	225	71.75	7.1	1.15	GSF59	
1.9	2097	714	34	1.75	GSA99R59		21	212	67.20	7.2	1.20	GSA59	
2.2	2232	626	34	1.70	GSAF99R59		25	203	54.59	7.3	1.25	GSAF59	
2.6	1917	538	34	1.85			29	177	47.32	7.4	1.30		
2.9	1737	484	34	1.95			31	167	44.23	7.5	1.35		
1.3	2754	1032	18	0.90			36	145	38.23	7.6	1.40		
1.5	2538	930	25	1.00			43	124	32.48	7.3	1.50		
1.7	2286	831	26	1.10	GS89R59		48	112	29.00	7.1	1.55		
1.9	1998	719	27	1.25	GSF89R59		56	96	24.77	6.8	1.65	GS59	4P
2.2	1746	624	27	1.40	GSA89R59		60	90	23.20	6.7	1.70	GSF59	
2.5	1575	558	27	1.45	GSAF89R59		71	84	19.54	6.2	1.80	GSA59	
3.2	1260	435	28	1.60			78	73	17.80	5.9	1.85	GSAF59	
4.3	963	323	28	1.85			92	68	15.12	5.9	2.00		
4.3	1125	327	11	1.05	GS79R39		103	59	13.50	5.6	2.05		
4.8	1008	289	12	1.15	GSF79R39		29	175	47.32	4.3	0.80		
5.6	873	250	13	1.30	GSA79R39		31	164	44.23	4.3	0.85		
6.3	774	219	14	1.40	GSAF79R39		36	143	38.23	4.2	1.00		
2.4	1836	286.40	34	1.90	GS99		43	122	32.48	4.1	1.10		
2.6	1701	262.22	34	1.95	GSF99		48	110	29.00	4.0	1.15	GS49	4P
3.0	1521	231.67	35	2.05	GSA99		56	95	24.77	3.9	1.20	GSF49	
					GSAF99		60	89	23.20	3.9	1.25	GSA49	
3.2	1386	288.00	28	1.60	GS89		71	84	19.54	3.4	1.30	GSAF49	
3.5	1260	258.18	28	1.65	GSF89		78	73	17.80	3.4	1.40		
4.1	1098	222.40	28	1.80	GSA89		92	68	15.12	3.3	1.50		
4.5	1008	202.96	28	1.85	GSAF89		103	59	13.50	3.2	1.55		
4.8	945	288.00	28	1.90	GS89		121	50	11.53	3.1	1.65		
5.4	855	258.18	28	2.00	GSF89		129	45	10.80	3.1	1.70		
6.3	747	222.40	28	2.10	GSA89		153	39	9.10	3.0	1.80		
6.8	689	202.96	28	2.20	GSAF89		73	73	19.13	2.2	0.85	GS39	4P
4.0	1044	225.26	12	1.10	GS79		102	52	13.63	1.9	0.85	GSF39	
4.3	999	214.00	12	1.15	GSF79		115	47	12.08	1.8	0.95	GSA39	
4.8	891	189.09	13	1.30	GSA79		135	40	10.27	1.8	1.00	GSAF39	
5.6	774	161.60	14	1.45	GSAF79		148	39	19.13	2.0	1.10	GS39	
5.4	801	256.47	14	1.45	GS79		208	28	13.63	1.7	1.25	GSF39	
6.2	711	225.26	14	1.55	GSF79		234	24	12.08	1.7	1.30	GSA39	
6.5	680	214.00	14	1.60	GSA79		276	21	10.27	1.7	1.35	GSAF39	
7.4	608	189.09	15	1.65	GSAF79								

选型参数表
(恒功率)
Selection Table
(Constant Power)

n_a [r/min]	M_a [N.m]	i	F_{Ra} [kN]	f_B	机型号 Type size	极数 Pole	n_a [r/min]	M_a [N.m]	i	F_{Ra} [kN]	f_B	机型号 Type size	极数 Pole				
1.1kW							1.1kW										
0.9	7529	1521	40	0.85	GS109R79	4P	22	342	62.35	9.2	1.30	GS69 GSF69 GSA69 GSAF69	4P				
1.1	6571	1327	40	1.00	GSF109R79		26	302	54.70	9.1	1.40						
1.7	4203	824	22	0.95	GSA109R79		30	257	46.40	8.8	1.45						
2.0	3069	714	33	1.35	GSAF109R79		33	234	41.89	8.6	1.55						
2.2	3267	626	32	1.25	GS99R59	4P	38	207	36.85	8.3	1.60			GS59 GSF59 GSA59 GSAF59	4P		
2.6	2808	538	33	1.45	GSF99R59		40	198	34.80	8.2	1.65						
2.9	2538	484	33	1.60	GSA99R59		47	168	29.63	7.9	1.75						
3.3	2205	420	34	1.70	GSAF99R59		20	324	71.75	6.2	1.00						
2.2	2556	624	24	0.95	GS89R59 GSF89R59 GSA89R59 GSAF89R59		21	306	67.20	6.4	1.00						
2.5	2313	558	26	1.10			25	282	56.61	6.8	1.05						
2.9	2034	485	27	1.35		30	257	47.32	6.9	1.10							
3.2	1854	435	27	1.35		32	239	44.23	7.0	1.10							
3.7	1629	378	27	1.45		37	212	38.23	7.0	1.20							
4.3	1413	323	28	1.60		43	180	32.48	6.8	1.25							
5.0	1242	281	28	1.45		48	161	29.00	6.7	1.30							
5.5	1332	255	28	1.45		57	139	24.77	6.4	1.40							
6.3	1170	222	28	1.55		60	131	23.20	6.3	1.40							
6.8	1089	205	28	1.60		72	111	19.54	6.1	1.50							
6.4	1125	219	11	1.05	GS79R39	4P	79	105	17.80	5.6	1.55	GS49 GSF49 GSA49 GSAF49	4P				
2.5	2647	271.63	40	1.90	GSF79R39		93	99	15.12	5.5	1.65						
3.0	2206	229.96	38	2.00	GSA79R39		104	86	13.50	5.3	1.70						
3.2	2068	212.81	37	2.10	GSAF79R39		121	74	11.53	5.1	1.80						
3.6	1839	190.74	36	2.20	GS109	8P	130	66	10.80	5.0	1.85			GS39 GSF39 GSA39 GSAF39	2P		
2.4	2772	286.40	33	1.40	GSF109		154	57	9.10	4.8	2.00						
2.6	2556	262.22	33	1.50	GSA109		48	159	29.00	3.5	0.95						
3.0	2286	231.67	34	1.70	GSAF109		57	138	24.77	3.5	1.00						
3.5	1971	196.52	34	1.80	GS99		60	129	23.20	3.5	1.05						
3.2	2079	286.40	34	1.75	GSF99		72	110	19.54	3.4	1.10						
3.5	1917	262.22	34	1.80	GSA99	79	105	17.80	2.9	1.15							
3.9	1710	231.67	34	1.90	GSAF99	93	98	15.12	2.9	1.25							
3.2	1998	288.00	27	1.10	GS99	6P	104	86	13.50	2.9	1.30	GS29 GSF29 GSA29 GSAF29	4P				
3.5	1809	258.18	27	1.20	GSF99		121	73	11.53	2.8	1.35						
4.1	1584	222.40	27	1.35	GSA99		130	66	10.80	2.8	1.40						
4.5	1458	202.96	28	1.45	GSAF99	154	57	9.10	2.7	1.45							
4.9	1368	288.00	28	1.55	GS89	6P	208	44	13.63	1.5	0.85			GS19 GSF19 GSA19 GSAF19	8P		
5.4	1233	258.18	28	1.65	GSF89		234	36	12.08	1.5	0.90						
6.3	1080	222.40	28	1.75	GSA89		276	31	10.27	1.5	1.00						
6.9	990	202.96	28	1.80	GSAF89		1.5kW										
7.8	891	180.00	28	1.90	GS89 GSF89 GSA89 GSAF89		1.2	7600	1126	40	0.85					GS109R79 GSF109R79 GSA109R79 GSAF109R79	4P
9.3	756	151.30	28	2.00			1.4	6643	984	40	1.00						
6.2	1035	225.26	12	1.10		GS79 GSF79 GSA79 GSAF79	2.0	4176	714	28	0.90	GS99R59 GSF99R59 GSA99R59 GSAF99R59	4P				
6.5	990	214.00	13	1.15			2.2	4455	626	18	0.85						
7.4	882	189.09	13	1.35			2.6	3834	538	30	1.00						
8.7	765	161.60	14	1.45			2.9	3465	484	32	1.10						
9.4	707	148.15	14	1.50	3.3		3015	420	33	1.25							
11	626	130.00	15	1.60	3.7		2727	376	33	1.40							
11	599	123.20	15	1.60	4.3	2394	327	34	1.65								
13	527	107.83	15	1.70	2.9	2781	485	16	0.80	GS89R59 GSF89R59 GSA89R59 GSAF89R59	4P						
14	482	97.14	15	1.75	3.2	2529	435	25	0.90								
16	423	85.22	15	1.85	3.7	2223	378	26	1.00								
12	545	121.33	7.4	0.85	4.3	1935	323	27	1.15								
13	486	106.75	8.1	0.95	5.0	1701	281	27	1.10								
14	464	100.80	8.3	1.00	5.5	1818	255	27	1.25								
16	401	85.83	8.8	1.15	6.3	1593	222	27	1.35								
18	365	78.00	9.1	1.30	6.8	1485	205	28	1.40								
21	360	65.63	9.1	1.30	2.5	3610	271.63	40	1.60	GS109 GSF109 GSA109 GSAF109	8P						
					3.0	3008	229.96	38	1.70								
					3.2	2820	212.81	37	1.75								

选型参数表
(恒功率)
Selection Table
(Constant Power)

n_a [r/min]	M_a [N.m]	i	F_{Ra} [kN]	f_B	机型号 Type size	极数 Pole	n_a [r/min]	M_a [N.m]	i	F_{Ra} [kN]	f_B	机型号 Type size	极数 Pole
1.5kW							1.5kW						
3.5	2579	271.63	36	1.85	GS109	6P	43	243	32.48	6.3	0.90		
4.1	2201	229.96	34	2.00	GSF109		48	221	29.00	6.2	1.00		
4.4	2051	212.81	34	2.05	GSA109		57	189	24.77	6.0	1.15		
4.9	1841	190.74	32	2.15	GSAF109		60	176	23.20	6.0	1.25	GS59	4P
2.4	3627	286.40	31	1.05	GS99	72	150	19.54	5.8	1.30	GSF59		
2.6	3348	262.22	32	1.15	GSF99	79	143	17.80	5.2	1.35	GSA59		
2.9	2997	231.67	33	1.25	GSA99	93	134	15.12	5.1	1.40	GSAF59		
3.5	2583	196.52	33	1.45	GSAF99	104	116	13.50	5.0	1.45			
3.3	2835	286.40	33	1.35	GS99	121	99	11.53	4.8	1.55			
3.6	2619	262.22	33	1.45	GSF99	130	89	10.80	4.7	1.60			
4.1	2340	231.67	34	1.65	GSA99	154	77	9.10	4.6	1.70			
4.8	2007	196.52	34	1.75	GSAF99	104	117	13.50	2.5	0.85	GS49	4P	
4.9	1917	286.40	34	1.80	GS99	121	101	11.53	2.5	1.00	GSF49		
5.3	1773	262.22	34	1.85	GSF99	130	94	10.80	2.5	1.10	GSA49		
6.0	1584	231.67	35	1.95	GSA99	154	79	9.10	2.5	1.25	GSAF49		
7.1	1359	196.52	35	2.10	GSAF99	2.2kW							
3.6	2466	258.18	25	0.90	GS89	2.1	6672	688	40	1.00	GS109R79	4P	
4.2	2151	222.40	26	1.00	GSF89	2.4	5832	602	40	1.10	GSF109R79		
4.6	1980	202.96	27	1.10	GSA89						GSA109R79		
5.2	1782	180.00	27	1.20	GSAF89						GSAF109R79		
4.9	1854	288.00	27	1.10	GS89 GSF89 GSA89 GSAF89	3.4	4455	420	18	0.90	GS99R59	4P	
5.4	1674	258.18	27	1.20		3.8	4014	376	27	1.00	GSF99R59		
6.3	1467	222.40	28	1.40		4.4	3519	327	32	1.20	GSA99R59		
6.9	1350	202.96	28	1.55		5.0	3114	287	33	1.35	GSAF99R59		
7.8	1206	180.00	28	1.60		5.7	2727	252	33	1.50			
9.3	1026	151.30	28	1.75		3.5	3782	271.63	35	1.50	GS109		6P
10	954	139.05	28	1.80		4.1	3228	229.96	33	1.65	GSA109		
11	855	123.48	28	1.85		4.4	3008	212.81	33	1.70	GSAF109		
13	765	110.40	28	1.95		4.9	2701	190.74	32	1.75	GSF109		
14	693	99.26	28	2.00		5.3	2498	271.63	31	1.80		4P	
7.4	1197	189.09	10	1.10	6.2	2135	229.96	30	1.95	GS109			
8.7	1035	161.60	12	1.15	6.7	2117	212.81	29	2.00	GSF109			
9.4	954	148.15	13	1.30	7.5	1891	190.74	28	2.10	GSA109			
11	846	130.00	13	1.35	8.3	1708	172.20	27	2.15	GSAF109			
11	810	123.20	14	1.40	9.1	1558	156.41	26	2.20				
13	716	107.83	14	1.45	3.3	4077	286.40	29	1.00	GS99	6P		
14	653	97.14	15	1.50	3.6	3762	262.22	31	1.30	GSF99			
16	576	85.22	15	1.60	4.1	3357	231.67	32	1.35	GSA99			
19	585	75.09	13	1.50	4.8	2889	196.52	33	1.45	GSAF99			
20	558	71.33	13	1.55	5.0	2817	286.40	33	1.45		4P		
21	459	66.67	14	1.70	5.5	2601	262.22	33	1.55				
22	495	63.03	13	1.65	6.2	2313	231.67	34	1.65				
25	396	56.92	13	1.80	7.3	1989	196.52	34	1.75	GS99			
26	423	53.87	13	1.75	7.9	1845	180.95	34	1.80	GSF99			
28	392	49.38	12	1.80	8.8	1656	161.74	34	1.85	GSA99			
32	347	43.33	12	1.90	9.8	1503	145.60	35	1.95	GSAF99			
16	540	85.83	7.5	0.85	11	1368	131.85	35	2.05				
18	495	78.00	8.0	0.95	12	1224	116.92	35	2.10				
21	486	65.63	8.1	0.95	14	1116	105.71	35	2.20				
22	464	62.35	8.3	0.95	16	954	89.60	35	2.35				
26	410	54.70	8.4	1.05	5.5	2457	258.18	25	1.00				
30	351	46.40	8.2	1.25	6.4	2142	222.40	26	1.10				
33	320	41.89	8.0	1.30	7.0	1971	202.96	27	1.25				
38	279	36.85	7.8	1.40	7.9	1773	180.00	27	1.35				
40	266	34.80	7.8	1.40	9.5	1512	151.30	27	1.45	GS89	4P		
47	230	29.63	7.5	1.50	10	1395	139.05	28	1.50	GSF89			
52	207	26.93	7.4	1.55	12	1251	123.48	28	1.55	GSA89			
58	198	24.00	6.7	1.60	13	1125	110.40	28	1.60	GSAF89			
65	189	21.67	6.6	1.70	14	1017	99.26	28	1.70				
73	166	19.06	6.5	1.75	17	891	86.15	28	1.75				
78	158	18.00	6.3	1.80	17	954	81.76	28	1.65				
91	135	15.33	6.1	1.90	19	801	77.14	28	1.80				
101	124	13.93	5.9	1.95									

选型参数表
(恒功率)
Selection Table
(Constant Power)

n_a [r/min]	M_a [N.m]	i	F_{Ra} [kN]	f_B	机型号 Type size	极数 Pole	n_a [r/min]	M_a [N.m]	i	F_{Ra} [kN]	f_B	机型号 Type size	极数 Pole		
2.2kW							3kW								
20	828	70.43	28	1.75	GS89	4P	5.0	3861	286.40	31	1.05	GS99 GSF99 GSA99 GSAF99	4P		
22	756	64.27	28	1.80	GSF89		5.5	3564	262.22	32	1.15				
25	675	57.00	28	1.90	GSA89		6.2	3177	231.67	32	1.30				
					GSAF89		7.3	2736	196.52	33	1.45				
11	1251	130.00	6	1.00	GS79 GSF79 GSA79 GSAF79	4P	7.9	2529	180.95	33	1.55			GS99 GSF99 GSA99 GSAF99	4P
12	1188	123.20	11	1.05			8.8	2277	161.74	34	1.60				
13	1053	107.83	12	1.20			9.8	2070	145.60	34	1.65				
15	954	97.14	13	1.25			11	1881	131.85	34	1.75				
17	846	85.22	13	1.30			12	1683	116.92	34	1.80				
19	756	75.20	13	1.35			14	1530	105.71	35	1.90				
21	671	66.67	13	1.40	GS79 GSF79 GSA79 GSAF79	4P	16	1305	89.60	35	2.00	GS99 GSF99 GSA99 GSAF99	4P		
23	729	63.03	12	1.35			18	1323	80.85	35	2.00				
25	581	56.92	12	1.50			7.9	2430	180.00	26	1.00				
27	626	53.87	11	1.45			9.5	2070	151.30	27	1.15				
29	572	49.38	11	1.50			10	1917	139.05	27	1.25				
33	504	43.33	11	1.55			12	1710	123.48	27	1.30				
35	482	41.07	11	1.60	GS79 GSF79 GSA79 GSAF79	4P	13	1548	110.40	27	1.40	GS89 GSF89 GSA89 GSAF89	4P		
40	423	35.94	11	1.65			14	1395	99.26	28	1.45				
44	383	32.38	10	1.75			17	1224	86.15	28	1.50				
50	338	28.41	10	1.80			17	1314	81.76	28	1.40				
57	297	25.07	10	1.90			19	1107	77.14	28	1.55				
60	279	23.87	9.0	1.95			20	1134	70.43	28	1.50				
68	257	20.89	8.9	2.05			22	1044	64.27	28	1.55				
31	513	46.40	7.1	0.95			25	927	57.00	28	1.65				
34	464	41.89	7.1	1.05			30	783	47.91	28	1.75				
39	414	36.85	7.0	1.15			32	720	44.03	28	1.80				
41	392	34.80	7.0	1.20	37	644	39.10	28	1.90						
48	333	29.63	6.8	1.25	41	576	34.96	28	1.95						
53	306	26.93	6.7	1.30	GS69 GSF69 GSA69 GSAF69	4P	17	1161	85.22	11	1.05	GS79 GSF79 GSA79 GSAF79	4P		
61	266	23.33	6.6	1.35			19	1035	75.20	12	1.15				
66	243	21.67	5.8	1.40			21	918	66.67	12	1.20				
75	214	19.06	5.7	1.45			23	999	63.03	10	1.15				
79	208	18.00	5.7	1.50			25	792	56.92	11	1.30				
93	183	15.33	5.6	1.60			27	855	53.87	10	1.25				
103	165	13.93	5.5	1.65			29	792	49.38	10	1.25				
118	144	12.07	5.4	1.70			33	693	43.33	10	1.35				
136	125	10.50	5.3	1.80			35	662	41.07	10	1.35				
106	166	13.50	4.4	1.00			40	581	35.94	10	1.45				
124	141	11.53	4.4	1.15	GS59 GSF59 GSA59 GSAF59	4P	44	527	32.38	10	1.50	GS79 GSF79 GSA79 GSAF79	4P		
132	131	10.80	4.3	1.20			50	464	28.41	10	1.55				
157	112	9.10	4.2	1.40			57	410	25.07	9.3	1.65				
							60	386	23.87	8.2	1.65				
							68	341	20.89	8.2	1.75				
							76	306	18.82	8.0	1.80				
							87	266	16.51	8.0	1.90				
							98	237	14.57	7.8	2.00				
							111	209	12.92	7.7	2.10				
							130	179	11.03	7.5	2.20				
3kW							3kW								
2.6	7192	544	40	0.90	GS109R79	4P	41	536	34.80	6.0	0.85	GS69 GSF69 GSA69 GSAF69	4P		
3.0	6286	476	40	1.05	GSF109R79		48	459	29.63	6.0	1.00				
3.5	6349	409	40	1.05	GSA109R79		53	419	26.93	6.0	1.10				
					GSAF109R79		61	365	23.33	6.0	1.15				
5.0	4284	287	23	1.00	GS99R59	4P	66	344	21.67	5.2	1.20			GS69 GSF69 GSA69 GSAF69	4P
5.7	3762	252	31	1.10	GSF99R59		75	302	19.06	5.0	1.25				
6.5	3285	219	32	1.30	GSA99R59		79	287	18.00	5.0	1.30				
7.0	3096	205	33	1.35	GSAF99R59		93	244	15.33	5.0	1.35				
3.5	4788	271.63	33	1.30	GS109	6P	103	221	13.93	4.9	1.40			GS69 GSF69 GSA69 GSAF69	4P
4.2	3990	229.96	32	1.40	GSF109		118	196	12.07	4.9	1.50				
4.5	3724	212.81	31	1.45	GSA109		136	170	10.50	4.8	1.55				
5.0	3352	190.74	30	1.50	GSAF109										
5.3	3406	271.63	30	1.55	GS109 GSF109 GSA109 GSAF109	4P	132	179	10.80	3.8	0.90	GS59 GSF59 GSA59 GSAF59	4P		
6.2	2912	229.96	29	1.65			157	154	9.10	3.8	1.00				
6.7	2694	212.81	28	1.70											
7.5	2407	190.74	27	1.75											
8.3	2174	172.20	26	1.85											
9.1	1984	156.41	26	1.90											

选型参数表
(恒功率)
Selection Table
(Constant Power)

n_a [r/min]	M_a [N.m]	i	F_{Ra} [kN]	f_B	机型号 Type size	极数 Pole	n_a [r/min]	M_a [N.m]	i	F_{Ra} [kN]	f_B	机型号 Type size	极数 Pole
4kW							4kW						
6.6	4320	219	21	0.95	GS99R59	4P	99	306	14.57	7.1	1.75	GS79	4P
					GSF99R59		111	273	12.92	7.0	1.85	GSF79	
7.0	4043	205	26	1.05	GSA99R59		131	231	11.03	6.8	2.00	GSA79	
					GSAF99R59							GSAF79	
3.5	6728	271.63	31	1.00	GS109	6P	80	378	18.00	3.6	0.80	GS69	4P
4.2	5729	229.96	30	1.15	GSF109		94	322	15.33	4.0	0.95	GSF69	
4.5	5315	212.81	30	1.20	GSA109		103	293	13.93	4.3	1.05	GSA69	
5.0	4809	190.74	29	1.30	GSAF109		119	254	12.07	4.3	1.20	GSAF69	
							137	221	10.50	4.3	1.35	GSAF69	
5.3	4592	271.63	29	1.35	GS109 GSF109 GSA109 GSAF109	4P	5.5kW						
6.3	3981	229.96	28	1.45			5.3	6314	271.63	27	1.00	GS109 GSF109 GSA109 GSAF109	4P
6.8	3729	212.81	27	1.50			6.3	5474	229.96	26	1.20		
7.5	3384	190.74	26	1.55			6.8	5128	212.81	26	1.25		
8.4	3093	172.20	26	1.60			7.5	4653	190.74	25	1.30		
9.2	2845	156.41	25	1.65			8.4	4253	172.20	24	1.35		
10	2557	138.77	24	1.75			9.2	3912	156.41	24	1.40		
11	2350	125.93	23	1.80			10	3515	138.77	23	1.45		
13	2058	108.24	22	1.90			11	3231	125.93	23	1.55		
15	1783	94.48	21	2.00			13	2833	108.24	22	1.60		
18	1710	80.13	21	2.10			15	2424	94.48	21	1.70		
21	1552	70.04	20	2.20			18	2352	80.13	20	1.80		
22	1409	65.10	19	2.25	21	2133	70.04	20	1.85				
6.2	4185	231.67	27	1.00	GS99 GSF99 GSA99 GSAF99	4P	22	1937	65.10	19	1.90	GS99 GSF99 GSA99 GSAF99	4P
7.3	3591	196.52	32	1.10			24	1766	59.13	18	2.00		
8.0	3300	180.95	32	1.20			27	1583	52.46	18	2.10		
8.9	2971	161.74	33	1.35			30	1447	47.61	17	2.15		
9.9	2718	145.60	33	1.45			35	1262	40.92	17	2.30		
11	2475	131.85	34	1.50			8.9	4095	161.74	28	0.95		
12	2214	116.92	34	1.60			9.9	3717	145.60	31	1.00		
14	2007	105.71	34	1.65			11	3384	131.85	32	1.10		
16	1719	89.60	34	1.75			12	3024	116.92	33	1.15		
18	1746	80.85	34	1.75			14	2745	105.71	33	1.25		
20	1548	71.43	35	1.85	16	2349	89.60	34	1.35				
24	1323	60.59	35	1.95	18	2061	78.26	34	1.45				
26	1215	55.79	35	2.00	20	2115	71.43	34	1.55				
12	2259	123.48	26	0.95	GS89 GSF89 GSA89 GSAF89	4P	22	1737	65.45	34	1.65	GS89 GSF89 GSA89 GSAF89	4P
13	2034	110.40	27	1.00			24	1800	60.59	34	1.65		
15	1836	99.26	27	1.10			26	1665	55.79	34	1.70		
17	1611	86.15	27	1.20			29	1494	49.87	35	1.80		
19	1449	77.14	28	1.25			32	1350	44.89	35	1.85		
20	1494	70.43	27	1.05			35	1224	40.65	35	1.95		
22	1368	64.27	28	1.14			19	1980	77.14	27	0.90		
25	1215	57.00	28	1.30			23	1665	64.00	27	0.95		
30	1035	47.91	28	1.50			25	1665	57.00	27	0.95		
33	954	44.03	28	1.55			30	1404	47.91	28	1.10		
37	846	39.10	28	1.65			33	1296	44.03	28	1.20		
41	756	34.96	28	1.70			37	1152	39.10	28	1.35		
46	684	31.43	28	1.80			41	1035	34.96	27	1.50		
53	599	27.28	27	1.85			46	936	31.43	27	1.55		
60	572	23.92	25	1.95	53	819	27.28	26	1.60				
25	1044	56.92	10	0.90	GS79 GSF79 GSA79 GSAF79	4P	60	693	23.92	24	1.70	GS79 GSF79 GSA79 GSAF79	4P
27	1125	53.87	8.8	0.95			67	621	21.39	23	1.75		
29	1035	49.38	8.9	1.05			75	555	19.23	23	1.80		
33	918	43.33	8.9	1.15			86	484	16.69	22	1.90		
35	864	41.07	8.9	1.20			96	433	14.95	22	2.00		
40	765	35.94	8.9	1.25			116	359	12.40	21	2.10		
44	689	32.38	8.8	1.30			134	310	10.78	20	2.25		
51	608	28.41	8.7	1.35			35	1188	41.07	7.2	0.90		
57	540	25.07	8.6	1.40			40	1044	35.94	7.4	1.05		
60	504	23.87	7.3	1.30			44	945	32.38	7.5	1.10		
69	438	20.89	7.3	1.55	51	828	28.41	7.5	1.15				
77	392	18.82	7.2	1.60									
87	347	16.51	7.2	1.65									

选型参数表
(恒功率)
Selection Table
(Constant Power)

n_a [r/min]	M_a [N.m]	i	F_{Ra} [kN]	f_B	机型号 Type size	极数 Pole	n_a [r/min]	M_a [N.m]	i	F_{Ra} [kN]	f_B	机型号 Type size	极数 Pole																																																																																																																																																																																																																																																																																																																																																																																																																																																																																																																																																																																								
5.5kW							7.5kW																																																																																																																																																																																																																																																																																																																																																																																																																																																																																																																																																																																														
57	738	25.07	7.5	1.20	GS79 GSF79 GSA79 GSAF79	4P	51	1134	28.41	5.9	0.90	GS79 GSF79 GSA79 GSAF79	4P																																																																																																																																																																																																																																																																																																																																																																																																																																																																																																																																																																																								
60	670	23.87	7.5	1.25			69	582	20.89	7.5	1.30			77	522	18.82	5.6	1.35	87	462	16.51	5.9	1.40	99	406	14.57	6.2	1.50	111	362	12.92	6.2	1.55	131	307	11.03	6.1	1.65	119	348	12.07	2.8	0.90	GS69 GSF69 GSA69 GSAF69	4P	137	302	10.50	2.8	1.00	7.5kW							11kW							6.3	7465	229.96	24	0.85	GS109 GSF109 GSA109 GSAF109	4P	9.3	7717	156.41	20	0.85	GS109 GSF109 GSA109 GSAF109	4P	6.8	6993	212.81	24	0.90	7.5	6345	190.74	23	1.00	8.4	5800	172.20	23	1.10	9.2	5335	156.41	22	1.20	10	4794	138.77	22	1.25	11	4407	125.93	21	1.30	13	3863	108.24	21	1.40	15	3306	94.48	20	1.50	18	3207	80.13	19	1.55	21	2909	70.04	19	1.60	22	2641	65.10	18	1.65	24	2408	59.13	18	1.70	27	2159	52.46	17	1.80	30	1974	47.61	17	1.85	35	1721	40.92	16	1.95	40	1503	35.72	15	2.00	48	1284	30.29	15	2.20	14	3744	105.71	31	0.90	GS99 GSF99 GSA99 GSAF99	4P	16	3204	89.60	32	1.00	18	2817	78.26	33	1.10	20	2880	71.43	33	1.15	22	2367	65.45	34	1.20	24	2457	60.59	34	1.35	26	2268	55.79	34	1.45	29	2034	49.87	34	1.55	32	1836	44.89	34	1.60	35	1665	40.65	34	1.65	40	1485	36.05	34	1.75	GS99 GSF99 GSA99 GSAF99	4P	44	1341	32.60	34	1.80	52	1054	27.63	30	1.90	64	856	22.65	30	2.15	70	783	20.48	29	2.25	83	660	17.36	29	2.40	33	1773	44.03	26	0.90	GS89 GSF89 GSA89 GSAF89	4P	37	1575	39.10	26	1.00	41	1413	34.96	26	1.10	46	1278	31.43	25	1.20	53	1107	27.28	25	1.40	60	913	23.92	22	1.45	67	818	21.39	22	1.50	75	731	19.23	22	1.60	86	637	16.69	21	1.65	96	571	14.95	21	1.75	GS89 GSF89 GSA89 GSAF89	4P	116	472	12.40	20	1.85	134	409	10.78	19	1.95	26	3303	55.79	32	1.00	GS99 GSF99 GSA99 GSAF99	4P	29	2961	49.87	33	1.10	33	2673	44.89	33	1.20	36	2430	40.65	33	1.35	40	2160	36.05	32	1.45	45	1953	32.60	32	1.50	53	1641	27.63	28	1.60	64	1330	22.65	28	1.80	71	1198	20.48	27	1.85	84	1013	17.36	26	2.00	96	886	15.16	26	2.05	115	740	12.68	25	2.20	133	640	10.98	24	2.35	54	1620	27.28	23	0.95	GS89 GSF89 GSA89 GSAF89	4P	60	1449	24.43	22	1.05	72	1206	20.27	22	1.25	76	1120	19.23	19	1.30	87	978	16.69	19	1.35	98	868	14.95	19	1.45	118	721	12.40	18	1.55	135	630	10.78	18	1.60	15kW							15kW							13	7670	108.24	17	0.85	GS109 GSF109 GSA109 GSAF109	4P	13	7670	108.24	17	0.85	15	6878	94.48	16	0.95	18	5833	80.13	16	1.10	21	5739	70.04	16	1.15	22	5210	65.10	16	1.20	25	4749	59.13	16	1.20	28	4259	52.46	15	1.30	31	3893	47.61	15	1.30	36	3395	40.92	15	1.40	41	2964	35.72	14	1.45	48	2532	30.29	14	1.55	55	2247	26.48	13	1.65	65	1899	22.39	13	1.75																																																																											
69	582	20.89	7.5	1.30			77	522	18.82	5.6	1.35			87	462	16.51	5.9	1.40	99	406	14.57	6.2	1.50	111	362	12.92	6.2	1.55	131	307	11.03	6.1	1.65	119	348	12.07	2.8	0.90	GS69 GSF69 GSA69 GSAF69	4P	137	302	10.50			2.8	1.00	7.5kW							11kW							6.3	7465	229.96	24	0.85	GS109 GSF109 GSA109 GSAF109	4P	9.3			7717	156.41	20	0.85	GS109 GSF109 GSA109 GSAF109			4P	6.8	6993	212.81	24	0.90	7.5	6345	190.74	23	1.00	8.4	5800	172.20	23	1.10	9.2	5335	156.41	22	1.20	10	4794	138.77	22	1.25	11	4407	125.93	21	1.30	13	3863	108.24	21	1.40	15	3306	94.48	20	1.50	18	3207	80.13	19	1.55	21	2909	70.04	19	1.60	22	2641	65.10	18	1.65	24	2408	59.13	18	1.70	27	2159	52.46	17	1.80	30	1974	47.61	17	1.85	35	1721	40.92	16	1.95	40	1503	35.72	15	2.00	48	1284	30.29	15	2.20	14	3744	105.71	31			0.90	GS99 GSF99 GSA99 GSAF99	4P	16	3204	89.60	32	1.00	18	2817	78.26	33	1.10	20	2880	71.43	33	1.15	22	2367	65.45	34	1.20	24	2457	60.59	34	1.35	26	2268	55.79	34	1.45	29	2034	49.87	34	1.55	32	1836	44.89	34	1.60	35	1665	40.65	34	1.65	40	1485			36.05	34	1.75	GS99 GSF99 GSA99 GSAF99	4P	44	1341	32.60	34	1.80	52	1054	27.63	30	1.90	64	856	22.65	30	2.15	70	783	20.48	29	2.25	83	660	17.36	29	2.40			33	1773	44.03	26	0.90	GS89 GSF89 GSA89 GSAF89	4P	37	1575	39.10	26	1.00	41	1413	34.96	26	1.10	46	1278	31.43	25	1.20	53	1107	27.28	25	1.40	60	913	23.92	22	1.45	67	818	21.39	22	1.50	75	731	19.23	22	1.60	86	637	16.69			21	1.65	96	571	14.95	21	1.75	GS89 GSF89 GSA89 GSAF89	4P	116	472	12.40	20	1.85	134			409	10.78	19	1.95	26	3303	55.79	32	1.00	GS99 GSF99 GSA99 GSAF99	4P	29	2961	49.87	33	1.10	33	2673	44.89	33	1.20	36	2430	40.65	33	1.35	40	2160	36.05	32	1.45	45	1953	32.60	32	1.50	53	1641	27.63	28	1.60	64	1330	22.65	28	1.80	71	1198	20.48	27	1.85	84	1013	17.36	26	2.00	96	886	15.16	26	2.05	115	740	12.68	25			2.20	133	640	10.98	24	2.35	54	1620	27.28	23	0.95	GS89 GSF89 GSA89 GSAF89	4P	60	1449	24.43	22	1.05	72	1206	20.27	22	1.25	76	1120	19.23	19	1.30	87	978	16.69	19	1.35	98	868	14.95	19	1.45	118	721	12.40	18	1.55	135	630	10.78	18	1.60	15kW								15kW							13	7670	108.24	17	0.85	GS109 GSF109 GSA109 GSAF109	4P	13	7670	108.24	17	0.85	15	6878	94.48	16	0.95	18	5833	80.13	16	1.10	21	5739	70.04	16	1.15	22	5210	65.10	16	1.20	25	4749	59.13	16	1.20	28	4259	52.46	15	1.30	31	3893	47.61	15	1.30	36	3395	40.92	15	1.40	41	2964	35.72	14	1.45	48	2532	30.29	14	1.55	55	2247	26.48	13	1.65	65	1899	22.39	13	1.75																																																													
77	522	18.82	5.6	1.35			87	462	16.51	5.9	1.40			99	406	14.57	6.2	1.50	111	362	12.92	6.2	1.55	131	307	11.03	6.1	1.65	119	348	12.07	2.8	0.90	GS69 GSF69 GSA69 GSAF69	4P	137	302	10.50			2.8	1.00	7.5kW							11kW							6.3	7465	229.96	24	0.85	GS109 GSF109 GSA109 GSAF109	4P	9.3	7717	156.41			20			0.85	GS109 GSF109 GSA109 GSAF109	4P	6.8					6993	212.81	24	0.90	7.5	6345	190.74	23	1.00	8.4	5800	172.20	23	1.10	9.2	5335	156.41	22	1.20	10	4794	138.77	22	1.25	11	4407	125.93	21	1.30	13	3863	108.24	21	1.40	15	3306	94.48	20	1.50	18	3207	80.13	19	1.55	21	2909	70.04	19	1.60	22	2641	65.10	18	1.65	24	2408	59.13	18	1.70	27	2159	52.46	17	1.80	30	1974	47.61	17	1.85	35	1721	40.92	16	1.95	40	1503	35.72	15	2.00	48	1284	30.29	15	2.20	14	3744	105.71	31	0.90			GS99 GSF99 GSA99 GSAF99			4P	16	3204	89.60	32	1.00	18	2817	78.26	33	1.10	20	2880	71.43	33	1.15	22	2367	65.45	34	1.20	24	2457	60.59	34	1.35	26	2268	55.79	34	1.45	29	2034	49.87	34	1.55	32	1836	44.89	34	1.60	35	1665	40.65	34	1.65	40			1485	36.05	34			1.75	GS99 GSF99 GSA99 GSAF99	4P	44	1341	32.60	34	1.80	52	1054	27.63	30	1.90	64	856	22.65	30	2.15	70	783	20.48	29	2.25	83	660			17.36	29	2.40	33	1773			44.03	26	0.90	GS89 GSF89 GSA89 GSAF89	4P	37	1575	39.10	26	1.00	41	1413	34.96	26	1.10	46	1278	31.43	25	1.20	53	1107	27.28	25	1.40	60	913	23.92	22	1.45	67	818	21.39	22	1.50	75	731	19.23			22	1.60	86	637	16.69	21	1.65			96	571	14.95	21	1.75	GS89 GSF89 GSA89 GSAF89			4P	116	472	12.40	20	1.85	134	409	10.78			19	1.95	26	3303	55.79	32	1.00	GS99 GSF99 GSA99 GSAF99	4P	29	2961	49.87	33	1.10	33	2673	44.89	33	1.20	36	2430	40.65	33	1.35	40	2160	36.05	32	1.45	45	1953	32.60	32	1.50	53	1641	27.63	28	1.60	64	1330	22.65	28	1.80	71	1198	20.48	27	1.85	84	1013	17.36	26	2.00			96	886	15.16	26	2.05	115	740	12.68	25	2.20	133			640	10.98	24	2.35	54	1620	27.28	23	0.95	GS89 GSF89 GSA89 GSAF89	4P	60	1449	24.43	22	1.05	72	1206	20.27	22	1.25	76	1120	19.23	19	1.30	87	978	16.69	19	1.35	98	868	14.95	19	1.45	118	721	12.40	18	1.55			135	630	10.78	18	1.60	15kW									15kW							13	7670	108.24	17	0.85	GS109 GSF109 GSA109 GSAF109	4P	13	7670	108.24	17	0.85	15	6878	94.48	16	0.95	18	5833	80.13	16	1.10	21	5739	70.04	16	1.15	22	5210	65.10	16	1.20	25	4749	59.13	16	1.20	28	4259	52.46	15	1.30	31	3893	47.61	15	1.30	36	3395	40.92	15	1.40	41	2964	35.72	14	1.45	48	2532	30.29	14	1.55	55	2247	26.48	13	1.65	65	1899	22.39	13	1.75																																															
87	462	16.51	5.9	1.40			99	406	14.57	6.2	1.50			111	362	12.92	6.2	1.55	131	307	11.03	6.1	1.65	119	348	12.07	2.8	0.90	GS69 GSF69 GSA69 GSAF69	4P	137	302	10.50			2.8	1.00	7.5kW							11kW							6.3	7465	229.96	24	0.85	GS109 GSF109 GSA109 GSAF109	4P	9.3	7717	156.41			20	0.85	GS109 GSF109 GSA109 GSAF109			4P			6.8			6993					212.81	24	0.90	7.5	6345	190.74	23	1.00	8.4	5800	172.20	23	1.10	9.2	5335	156.41	22	1.20	10	4794	138.77	22	1.25	11	4407	125.93	21	1.30	13	3863	108.24	21	1.40	15	3306	94.48	20	1.50	18	3207	80.13	19	1.55	21	2909	70.04	19	1.60	22	2641	65.10	18	1.65	24	2408	59.13	18	1.70	27	2159	52.46	17	1.80	30	1974	47.61	17	1.85	35	1721	40.92	16	1.95	40	1503	35.72	15	2.00	48	1284	30.29	15	2.20	14	3744	105.71	31	0.90	GS99 GSF99 GSA99 GSAF99							4P	16	3204	89.60	32	1.00	18	2817	78.26	33	1.10	20	2880	71.43	33	1.15	22	2367	65.45	34	1.20	24	2457	60.59	34	1.35	26	2268	55.79	34	1.45	29	2034	49.87	34	1.55	32	1836	44.89	34	1.60	35	1665	40.65	34	1.65			40	1485	36.05			34			1.75	GS99 GSF99 GSA99 GSAF99	4P	44	1341	32.60	34	1.80	52	1054	27.63	30	1.90	64	856	22.65	30	2.15	70	783	20.48	29			2.25	83	660	17.36	29			2.40	33	1773			44.03	26	0.90	GS89 GSF89 GSA89 GSAF89	4P	37	1575	39.10	26	1.00	41	1413	34.96	26	1.10	46	1278	31.43	25	1.20	53	1107	27.28	25	1.40	60	913	23.92	22	1.45	67	818	21.39			22	1.50	75	731	19.23	22	1.60			86	637	16.69	21	1.65					96	571	14.95	21	1.75	GS89 GSF89 GSA89 GSAF89	4P	116			472	12.40	20	1.85	134	409	10.78			19	1.95	26	3303	55.79	32	1.00	GS99 GSF99 GSA99 GSAF99	4P	29	2961	49.87	33	1.10	33	2673	44.89	33	1.20	36	2430	40.65	33	1.35	40	2160	36.05	32	1.45	45	1953	32.60	32	1.50	53	1641	27.63	28	1.60	64	1330	22.65	28	1.80	71			1198	20.48	27	1.85	84	1013	17.36	26	2.00	96	886			15.16	26	2.05	115	740	12.68	25	2.20	133			640	10.98	24	2.35	54	1620	27.28	23	0.95	GS89 GSF89 GSA89 GSAF89	4P	60	1449	24.43	22	1.05	72	1206	20.27	22	1.25	76	1120	19.23	19	1.30	87	978	16.69	19			1.35	98	868	14.95	19	1.45	118	721	12.40	18	1.55	135			630	10.78	18	1.60	15kW							15kW							13	7670	108.24	17	0.85	GS109 GSF109 GSA109 GSAF109	4P	13	7670	108.24	17	0.85	15	6878	94.48	16	0.95	18	5833	80.13	16	1.10	21	5739	70.04	16	1.15	22	5210	65.10	16	1.20	25	4749	59.13	16	1.20	28	4259	52.46	15	1.30	31	3893	47.61	15	1.30	36	3395	40.92	15	1.40	41	2964	35.72	14	1.45	48	2532	30.29	14	1.55	55	2247	26.48	13	1.65	65	1899	22.39	13	1.75																																				
99	406	14.57	6.2	1.50			111	362	12.92	6.2	1.55			131	307	11.03	6.1	1.65	119	348	12.07	2.8	0.90	GS69 GSF69 GSA69 GSAF69	4P	137	302	10.50			2.8	1.00	7.5kW							11kW							6.3	7465	229.96	24	0.85	GS109 GSF109 GSA109 GSAF109	4P	9.3	7717	156.41			20	0.85	GS109 GSF109 GSA109 GSAF109			4P	6.8							6993			212.81					24	0.90	7.5	6345	190.74	23	1.00	8.4	5800	172.20	23	1.10	9.2	5335	156.41	22	1.20	10	4794	138.77	22	1.25	11	4407	125.93	21	1.30	13	3863	108.24	21	1.40	15	3306	94.48	20	1.50	18	3207	80.13	19	1.55	21	2909	70.04	19	1.60	22	2641	65.10	18	1.65	24	2408	59.13	18	1.70	27	2159	52.46	17	1.80	30	1974	47.61	17	1.85	35	1721	40.92	16	1.95	40	1503	35.72	15	2.00	48	1284	30.29	15	2.20	14	3744	105.71	31	0.90	GS99 GSF99 GSA99 GSAF99									4P	16	3204	89.60	32	1.00	18	2817	78.26	33	1.10	20	2880	71.43	33	1.15	22	2367	65.45	34	1.20	24	2457	60.59	34	1.35	26	2268	55.79	34	1.45	29	2034	49.87	34	1.55	32	1836	44.89	34	1.60	35	1665	40.65	34			1.65	40	1485			36.05			34			1.75	GS99 GSF99 GSA99 GSAF99	4P	44	1341	32.60	34	1.80	52	1054	27.63	30	1.90	64	856	22.65	30	2.15	70			783	20.48	29	2.25	83			660	17.36	29			2.40	33	1773			44.03	26	0.90	GS89 GSF89 GSA89 GSAF89	4P	37	1575	39.10	26	1.00	41	1413	34.96	26	1.10	46	1278	31.43	25	1.20	53	1107	27.28	25	1.40	60	913	23.92			22	1.45	67	818	21.39	22	1.50			75	731	19.23	22	1.60					86	637	16.69	21	1.65			96			571	14.95	21	1.75	GS89 GSF89 GSA89 GSAF89	4P	116			472	12.40	20	1.85	134	409	10.78			19	1.95	26	3303	55.79	32	1.00	GS99 GSF99 GSA99 GSAF99	4P	29	2961	49.87	33	1.10	33	2673	44.89	33	1.20	36	2430	40.65	33	1.35	40	2160	36.05	32	1.45	45	1953	32.60	32	1.50	53	1641			27.63	28	1.60	64	1330	22.65	28	1.80	71	1198	20.48			27	1.85	84	1013	17.36	26	2.00	96	886			15.16	26	2.05	115	740	12.68	25	2.20	133			640	10.98	24	2.35	54	1620	27.28	23	0.95	GS89 GSF89 GSA89 GSAF89	4P	60	1449	24.43	22	1.05	72	1206	20.27			22	1.25	76	1120	19.23	19	1.30	87	978	16.69	19	1.35			98	868	14.95	19	1.45	118	721	12.40	18	1.55	135	630			10.78	18	1.60	15kW								15kW							13	7670	108.24	17	0.85	GS109 GSF109 GSA109 GSAF109	4P	13	7670	108.24	17	0.85	15	6878	94.48	16	0.95	18	5833	80.13	16	1.10	21	5739	70.04	16	1.15	22	5210	65.10	16	1.20	25	4749	59.13	16	1.20	28	4259	52.46	15	1.30	31	3893	47.61	15	1.30	36	3395	40.92	15	1.40	41	2964	35.72	14	1.45	48	2532	30.29	14	1.55	55	2247	26.48	13	1.65	65	1899	22.39	13	1.75																						
111	362	12.92	6.2	1.55			131	307	11.03	6.1	1.65			119	348	12.07	2.8	0.90	GS69 GSF69 GSA69 GSAF69	4P	137	302	10.50			2.8	1.00	7.5kW							11kW							6.3	7465	229.96	24	0.85	GS109 GSF109 GSA109 GSAF109	4P	9.3	7717	156.41			20	0.85	GS109 GSF109 GSA109 GSAF109			4P	6.8					6993							212.81			24					0.90	7.5	6345	190.74	23	1.00	8.4	5800	172.20	23	1.10	9.2	5335	156.41	22	1.20	10	4794	138.77	22	1.25	11	4407	125.93	21	1.30	13	3863	108.24	21	1.40	15	3306	94.48	20	1.50	18	3207	80.13	19	1.55	21	2909	70.04	19	1.60	22	2641	65.10	18	1.65	24	2408	59.13	18	1.70	27	2159	52.46	17	1.80	30	1974	47.61	17	1.85	35	1721	40.92	16	1.95	40	1503	35.72	15	2.00	48	1284	30.29	15	2.20	14	3744	105.71	31	0.90	GS99 GSF99 GSA99 GSAF99											4P	16	3204	89.60	32	1.00	18	2817	78.26	33	1.10	20	2880	71.43	33	1.15	22	2367	65.45	34	1.20	24	2457	60.59	34	1.35	26	2268	55.79	34	1.45	29	2034	49.87	34	1.55	32	1836	44.89	34	1.60	35	1665	40.65			34	1.65	40			1485			36.05			34			1.75	GS99 GSF99 GSA99 GSAF99	4P	44	1341	32.60	34	1.80	52	1054	27.63	30	1.90	64	856	22.65			30	2.15	70	783	20.48			29	2.25	83			660	17.36	29			2.40	33	1773			44.03	26	0.90	GS89 GSF89 GSA89 GSAF89	4P	37	1575	39.10	26	1.00	41	1413	34.96	26	1.10	46	1278	31.43	25	1.20	53	1107	27.28			25	1.40	60	913	23.92	22	1.45			67	818	21.39	22	1.50					75	731	19.23	22	1.60			86			637	16.69	21	1.65			96			571	14.95	21	1.75	GS89 GSF89 GSA89 GSAF89	4P	116			472	12.40	20	1.85	134	409	10.78			19	1.95	26	3303	55.79	32	1.00	GS99 GSF99 GSA99 GSAF99	4P	29	2961	49.87	33	1.10	33	2673	44.89	33	1.20	36	2430	40.65	33	1.35	40	2160	36.05			32	1.45	45	1953	32.60	32	1.50	53	1641	27.63	28			1.60	64	1330	22.65	28	1.80	71	1198	20.48			27	1.85	84	1013	17.36	26	2.00	96	886			15.16	26	2.05	115	740	12.68	25	2.20	133			640	10.98	24	2.35	54	1620	27.28	23			0.95	GS89 GSF89 GSA89 GSAF89	4P	60	1449	24.43	22	1.05	72	1206	20.27	22			1.25	76	1120	19.23	19	1.30	87	978	16.69	19	1.35	98			868	14.95	19	1.45	118	721	12.40	18	1.55			135	630	10.78	18	1.60	15kW									15kW							13	7670	108.24	17	0.85	GS109 GSF109 GSA109 GSAF109	4P	13	7670	108.24	17	0.85	15	6878	94.48	16	0.95	18	5833	80.13	16	1.10	21	5739	70.04	16	1.15	22	5210	65.10	16	1.20	25	4749	59.13	16	1.20	28	4259	52.46	15	1.30	31	3893	47.61	15	1.30	36	3395	40.92	15	1.40	41	2964	35.72	14	1.45	48	2532	30.29	14	1.55	55	2247	26.48	13	1.65	65	1899	22.39	13	1.75								
131	307	11.03	6.1	1.65	119	348	12.07	2.8	0.90	GS69 GSF69 GSA69 GSAF69	4P	137	302	10.50	2.8	1.00	7.5kW							11kW							6.3	7465	229.96	24	0.85	GS109 GSF109 GSA109 GSAF109	4P	9.3	7717	156.41	20	0.85	GS109 GSF109 GSA109 GSAF109	4P	6.8	6993			212.81	24	0.90			7.5	6345					190.74					23							1.00			8.4					5800	172.20	23	1.10	9.2	5335	156.41	22	1.20	10	4794	138.77	22	1.25	11	4407	125.93	21	1.30	13	3863	108.24	21	1.40	15	3306	94.48	20	1.50	18	3207	80.13	19	1.55	21	2909	70.04	19	1.60	22	2641	65.10	18	1.65	24	2408	59.13	18	1.70	27	2159	52.46	17	1.80	30	1974	47.61	17	1.85	35	1721	40.92	16	1.95	40	1503	35.72	15	2.00	48	1284	30.29	15	2.20	14	3744	105.71	31	0.90	GS99 GSF99 GSA99 GSAF99	4P	16	3204	89.60	32	1.00													18	2817	78.26	33	1.10	20	2880	71.43	33	1.15	22	2367	65.45	34	1.20	24	2457	60.59	34	1.35	26	2268	55.79	34	1.45	29	2034	49.87	34	1.55	32	1836	44.89	34	1.60	35	1665	40.65	34	1.65	40	1485	36.05			34	1.75	GS99 GSF99 GSA99 GSAF99			4P			44			1341			32.60			34	1.80	52	1054	27.63	30	1.90	64	856	22.65	30	2.15	70			783	20.48	29	2.25	83			660	17.36	29			2.40	33	1773			44.03	26	0.90			GS89 GSF89 GSA89 GSAF89	4P	37			1575	39.10	26	1.00	41	1413	34.96	26	1.10	46	1278	31.43	25	1.20	53	1107	27.28	25			1.40	60	913	23.92	22	1.45	67			818	21.39	22	1.50	75					731	19.23	22	1.60	86			637			16.69	21	1.65	96			571			14.95	21	1.75	GS89 GSF89 GSA89 GSAF89			4P			116	472	12.40	20	1.85	134	409			10.78	19	1.95	26	3303	55.79	32			1.00	GS99 GSF99 GSA99 GSAF99	4P	29	2961	49.87	33	1.10	33	2673	44.89	33	1.20	36	2430	40.65	33	1.35			40	2160	36.05	32	1.45	45	1953	32.60	32	1.50	53			1641	27.63	28	1.60	64	1330	22.65	28	1.80			71	1198	20.48	27	1.85	84	1013	17.36	26			2.00	96	886	15.16	26	2.05	115	740	12.68			25	2.20	133	640	10.98	24	2.35	54			1620			27.28	23	0.95	GS89 GSF89 GSA89 GSAF89	4P	60	1449	24.43	22			1.05	72	1206	20.27	22	1.25	76	1120	19.23	19	1.30	87			978	16.69	19	1.35	98	868	14.95	19	1.45			118	721	12.40	18	1.55	135	630	10.78	18	1.60	15kW							15kW							13	7670			108.24	17	0.85	GS109 GSF109 GSA109 GSAF109	4P	13	7670	108.24	17	0.85	15	6878	94.48	16	0.95	18	5833	80.13	16	1.10	21	5739	70.04	16	1.15	22	5210	65.10	16	1.20	25	4749	59.13	16	1.20	28	4259	52.46	15	1.30	31	3893	47.61	15	1.30	36	3395	40.92	15	1.40	41	2964	35.72	14	1.45	48	2532	30.29	14	1.55	55	2247	26.48	13	1.65	65	1899	22.39	13	1.75			
119	348	12.07	2.8	0.90	GS69 GSF69 GSA69 GSAF69	4P	137	302	10.50			2.8	1.00	7.5kW							11kW							6.3	7465	229.96	24	0.85	GS109 GSF109 GSA109 GSAF109	4P	9.3			7717	156.41	20	0.85	GS109 GSF109 GSA109 GSAF109			4P	6.8			6993	212.81	24			0.90	7.5					6345					190.74							23			1.00					8.4	5800	172.20	23	1.10	9.2	5335	156.41	22	1.20	10	4794	138.77	22	1.25	11	4407	125.93	21	1.30	13	3863	108.24	21	1.40	15	3306	94.48	20	1.50	18	3207	80.13	19	1.55	21	2909	70.04	19	1.60	22	2641	65.10	18	1.65	24	2408	59.13	18	1.70	27	2159	52.46	17	1.80	30	1974	47.61	17	1.85	35	1721	40.92	16	1.95	40	1503	35.72	15	2.00	48	1284	30.29	15	2.20	14	3744	105.71	31			0.90	GS99 GSF99 GSA99 GSAF99	4P	16	3204													89.60	32	1.00	18	2817	78.26	33	1.10	20	2880	71.43	33	1.15	22	2367	65.45	34	1.20	24	2457	60.59	34	1.35	26	2268	55.79	34	1.45	29	2034	49.87	34	1.55	32	1836	44.89	34	1.60	35	1665	40.65	34	1.65	40	1485	36.05	34							1.75			GS99 GSF99 GSA99 GSAF99			4P			44	1341	32.60	34	1.80	52	1054	27.63	30	1.90	64	856	22.65			30	2.15	70	783	20.48			29	2.25	83			660	17.36	29			2.40	33	1773					44.03			26	0.90	GS89 GSF89 GSA89 GSAF89	4P	37	1575	39.10	26	1.00	41	1413	34.96	26	1.10	46	1278	31.43	25	1.20	53	1107	27.28	25	1.40	60	913	23.92			22	1.45	67	818	21.39					22	1.50	75	731	19.23			22			1.60	86	637	16.69			21			1.65	96	571							14.95	21	1.75	GS89 GSF89 GSA89 GSAF89	4P	116	472			12.40	20	1.85	134	409	10.78	19			1.95			26	3303	55.79	32	1.00	GS99 GSF99 GSA99 GSAF99	4P	29	2961	49.87	33	1.10	33	2673	44.89	33	1.20	36	2430	40.65	33	1.35	40	2160	36.05	32	1.45	45			1953	32.60	32	1.50	53	1641	27.63	28	1.60			64	1330	22.65	28	1.80	71	1198	20.48	27			1.85	84	1013	17.36	26	2.00	96	886	15.16			26	2.05	115	740	12.68	25	2.20	133			640			10.98	24	2.35			54	1620	27.28	23			0.95	GS89 GSF89 GSA89 GSAF89	4P	60	1449	24.43	22	1.05	72	1206	20.27	22			1.25	76	1120	19.23	19	1.30	87	978	16.69			19	1.35	98	868	14.95	19	1.45	118	721	12.40	18	1.55			135	630	10.78	18	1.60	15kW									15kW							13	7670	108.24	17	0.85	GS109 GSF109 GSA109 GSAF109	4P	13	7670	108.24	17	0.85	15	6878	94.48	16	0.95	18	5833	80.13	16	1.10	21	5739	70.04	16	1.15	22	5210	65.10	16	1.20	25	4749	59.13	16	1.20	28	4259	52.46	15	1.30	31	3893	47.61	15	1.30	36	3395	40.92	15	1.40	41	2964	35.72	14	1.45	48	2532	30.29	14	1.55	55	2247	26.48	13
137	302	10.50	2.8	1.00																																																																																																																																																																																																																																																																																																																																																																																																																																																																																																																																																																																																	
7.5kW							11kW																																																																																																																																																																																																																																																																																																																																																																																																																																																																																																																																																																																														
6.3	7465	229.96	24	0.85	GS109 GSF109 GSA109 GSAF109	4P	9.3	7717	156.41	20	0.85	GS109 GSF109 GSA109 GSAF109	4P																																																																																																																																																																																																																																																																																																																																																																																																																																																																																																																																																																																								
6.8	6993	212.81	24	0.90			7.5	6345	190.74	23	1.00			8.4	5800	172.20	23	1.10	9.2	5335	156.41	22	1.20	10	4794	138.77	22	1.25	11	4407	125.93	21			1.30			13	3863	108.24	21					1.40			15	3306	94.48			20	1.50					18					3207							80.13			19					1.55	21	2909	70.04	19	1.60	22	2641	65.10	18	1.65	24	2408	59.13	18	1.70	27	2159	52.46	17	1.80	30	1974	47.61	17	1.85	35	1721	40.92	16	1.95	40	1503	35.72	15	2.00	48	1284	30.29	15	2.20	14	3744	105.71	31	0.90	GS99 GSF99 GSA99 GSAF99	4P	16	3204	89.60	32	1.00	18	2817	78.26	33	1.10	20	2880	71.43	33	1.15	22	2367	65.45	34	1.20	24	2457	60.59	34	1.35	26	2268	55.79	34	1.45	29			2034			49.87	34				1.55	32		1836	44.89					34	1.60	35	1665	40.65	34	1.65	40	1485	36.05	34	1.75	GS99 GSF99 GSA99 GSAF99	4P	44	1341	32.60	34	1.80	52	1054	27.63	30	1.90	64	856	22.65	30	2.15	70	783	20.48	29	2.25	83	660	17.36	29	2.40	33	1773	44.03	26	0.90	GS89 GSF89 GSA89 GSAF89	4P	37		1575	39.10		26	1.00	41	1413	34.96		26	1.10				46	1278	31.43	25	1.20	53	1107	27.28	25	1.40	60	913	23.92	22	1.45	67	818	21.39	22	1.50	75	731	19.23	22	1.60			86	637	16.69			21	1.65	96					571			14.95	21			1.75	GS89 GSF89 GSA89 GSAF89	4P	116	472	12.40	20	1.85	134	409	10.78	19	1.95	26	3303	55.79	32	1.00	GS99 GSF99 GSA99 GSAF99	4P	29	2961	49.87	33	1.10	33	2673	44.89	33	1.20	36	2430	40.65	33	1.35	40	2160	36.05	32	1.45	45	1953	32.60	32	1.50	53	1641	27.63	28	1.60	64			1330	22.65	28							1.80	71	1198			20.48	27			1.85	84	1013	17.36	26	2.00	96			886			15.16	26	2.05	115	740			12.68	25	2.20	133	640	10.98	24	2.35	54	1620	27.28	23	0.95	GS89 GSF89 GSA89 GSAF89	4P	60	1449	24.43	22	1.05	72	1206	20.27	22	1.25	76	1120	19.23	19	1.30	87	978	16.69	19	1.35	98	868	14.95	19	1.45	118	721	12.40	18	1.55	135	630	10.78	18	1.60	15kW							15kW									13			7670	108.24	17			0.85	GS109 GSF109 GSA109 GSAF109	4P	13			7670			108.24	17	0.85	15	6878	94.48	16	0.95	18			5833	80.13	16	1.10	21	5739	70.04	16	1.15			22	5210	65.10	16	1.20	25	4749	59.13	16	1.20	28	4259			52.46	15	1.30	31	3893	47.61	15	1.30	36	3395	40.92	15			1.40	41	2964			35.72	14	1.45	48	2532	30.29	14			1.55	55	2247	26.48	13	1.65	65	1899	22.39	13	1.75																																																
7.5	6345	190.74	23	1.00			8.4	5800	172.20	23	1.10			9.2	5335	156.41	22	1.20	10	4794	138.77	22	1.25	11	4407	125.93	21	1.30	13	3863	108.24	21			1.40			15	3306	94.48	20					1.50			18	3207	80.13			19	1.55					21					2909							70.04			19					1.60	22	2641	65.10	18	1.65	24	2408	59.13	18	1.70	27	2159	52.46	17	1.80	30	1974	47.61	17	1.85	35	1721	40.92	16	1.95	40	1503	35.72	15	2.00	48	1284	30.29	15	2.20	14	3744	105.71	31	0.90	GS99 GSF99 GSA99 GSAF99	4P	16	3204	89.60			32	1.00	18	2817	78.26	33	1.10	20	2880	71.43	33	1.15	22	2367	65.45	34	1.20	24	2457	60.59	34	1.35	26	2268	55.79	34	1.45	29	2034	49.87	34			1.55			32	1836				44.89	34	1.60	35	1665	40.65				34	1.65	40	1485	36.05	34	1.75	GS99 GSF99 GSA99 GSAF99	4P	44	1341	32.60			34	1.80	52	1054	27.63	30	1.90	64	856	22.65	30	2.15	70	783	20.48	29	2.25	83	660	17.36	29	2.40	33	1773	44.03	26	0.90	GS89 GSF89 GSA89 GSAF89	4P	37			1575		39.10	26		1.00	41	1413	34.96	26		1.10	46		1278	31.43	25	1.20	53	1107	27.28	25	1.40	60	913	23.92	22	1.45	67	818	21.39	22	1.50	75	731	19.23	22	1.60	86	637	16.69	21	1.65	96	571	14.95			21	1.75	GS89 GSF89 GSA89 GSAF89					4P			116	472			12.40			20	1.85	134	409	10.78	19	1.95	26	3303	55.79	32	1.00	GS99 GSF99 GSA99 GSAF99	4P	29			2961	49.87	33	1.10	33	2673	44.89	33	1.20	36	2430	40.65	33	1.35	40	2160	36.05	32	1.45	45	1953	32.60	32	1.50	53	1641	27.63	28	1.60	64	1330	22.65	28	1.80	71	1198		20.48	27				1.85	84	1013			17.36	26			2.00	96	886	15.16	26	2.05	115			740			12.68	25	2.20	133	640			10.98	24	2.35	54	1620	27.28	23	0.95	GS89 GSF89 GSA89 GSAF89	4P	60	1449	24.43			22	1.05	72	1206	20.27	22	1.25	76	1120	19.23	19	1.30	87	978	16.69	19	1.35	98	868	14.95	19	1.45	118	721	12.40	18	1.55	135	630	10.78	18	1.60	15kW							15kW							13	7670	108.24			17	0.85	GS109 GSF109 GSA109 GSAF109	4P	13	7670			108.24			17			0.85			15	6878	94.48	16	0.95	18	5833	80.13	16			1.10	21	5739	70.04	16	1.15	22	5210	65.10			16	1.20	25	4749	59.13	16	1.20	28	4259	52.46	15	1.30			31	3893	47.61	15	1.30	36	3395	40.92	15	1.40	41	2964			35.72	14	1.45			48	2532	30.29	14	1.55	55	2247			26.48	13	1.65	65	1899	22.39	13	1.75																																																			
8.4	5800	172.20	23	1.10			9.2	5335	156.41	22	1.20			10	4794	138.77	22	1.25	11	4407	125.93	21	1.30	13	3863	108.24	21	1.40	15	3306	94.48	20			1.50			18	3207	80.13	19					1.55			21	2909	70.04			19	1.60					22					2641							65.10			18					1.65	24	2408	59.13	18	1.70	27	2159	52.46	17	1.80	30	1974	47.61	17	1.85	35	1721	40.92	16	1.95	40	1503	35.72	15	2.00	48	1284	30.29	15	2.20	14	3744	105.71	31	0.90	GS99 GSF99 GSA99 GSAF99	4P	16	3204	89.60			32	1.00	18			2817	78.26	33	1.10	20	2880	71.43	33	1.15	22	2367	65.45	34	1.20	24	2457	60.59	34	1.35	26	2268	55.79	34	1.45	29	2034	49.87	34	1.55	32	1836			44.89			34	1.60			35	1665	40.65	34	1.65	40	1485	36.05			34	1.75	GS99 GSF99 GSA99 GSAF99	4P	44	1341	32.60			34	1.80	52			1054	27.63	30	1.90	64	856	22.65	30	2.15	70	783	20.48	29	2.25	83	660	17.36	29	2.40	33	1773	44.03	26	0.90	GS89 GSF89 GSA89 GSAF89	4P	37			1575			39.10	26	1.00	41	1413	34.96	26	1.10	46	1278		31.43	25		1.20	53	1107	27.28	25	1.40	60	913	23.92	22	1.45	67	818	21.39	22	1.50	75	731	19.23	22	1.60	86	637	16.69	21	1.65	96	571	14.95	21	1.75	GS89 GSF89 GSA89 GSAF89	4P	116	472	12.40									20	1.85			134			409	10.78	19	1.95	26	3303	55.79	32	1.00	GS99 GSF99 GSA99 GSAF99	4P	29			2961			49.87	33	1.10	33	2673	44.89	33	1.20	36	2430	40.65	33	1.35	40	2160	36.05	32	1.45	45	1953	32.60	32	1.50	53	1641	27.63	28	1.60	64	1330	22.65	28	1.80	71	1198	20.48	27	1.85	84	1013	17.36	26	2.00	96	886			15.16	26			2.05	115	740	12.68	25	2.20	133			640			10.98	24	2.35	54	1620			27.28	23	0.95	GS89 GSF89 GSA89 GSAF89	4P	60	1449	24.43			22	1.05	72			1206	20.27	22	1.25	76	1120	19.23	19	1.30	87	978	16.69	19	1.35	98	868	14.95	19	1.45	118	721	12.40	18	1.55	135	630	10.78	18	1.60	15kW							15kW							13	7670	108.24	17	0.85	GS109 GSF109 GSA109 GSAF109			4P	13			7670	108.24	17	0.85	15			6878			94.48			16	0.95	18	5833	80.13	16	1.10	21	5739			70.04	16	1.15	22	5210	65.10	16	1.20	25			4749	59.13	16	1.20	28	4259	52.46	15	1.30	31	3893	47.61			15	1.30	36	3395	40.92	15	1.40	41	2964	35.72	14	1.45			48	2532	30.29			14	1.55	55	2247	26.48	13	1.65			65	1899	22.39	13	1.75																																																						
9.2	5335	156.41	22	1.20			10	4794	138.77	22	1.25			11	4407	125.93	21	1.30	13	3863	108.24	21	1.40	15	3306	94.48	20	1.50	18	3207	80.13	19			1.55			21	2909	70.04	19					1.60			22	2641	65.10			18	1.65					24					2408							59.13			18					1.70	27	2159	52.46	17	1.80	30	1974	47.61	17	1.85	35	1721	40.92	16	1.95	40	1503	35.72	15	2.00	48	1284	30.29	15	2.20	14	3744	105.71	31	0.90	GS99 GSF99 GSA99 GSAF99	4P	16	3204	89.60			32	1.00	18			2817	78.26	33			1.10	20	2880	71.43	33	1.15	22	2367	65.45	34	1.20	24	2457	60.59	34	1.35	26	2268	55.79	34	1.45	29	2034	49.87	34	1.55	32	1836	44.89	34	1.60			35			1665	40.65		34	1.65	40	1485	36.05	34	1.75	GS99 GSF99 GSA99 GSAF99	4P	44		1341	32.60			34	1.80	52			1054	27.63	30			1.90	64	856	22.65	30	2.15	70	783	20.48	29	2.25	83	660	17.36	29	2.40	33	1773	44.03	26	0.90	GS89 GSF89 GSA89 GSAF89	4P	37			1575			39.10			26	1.00	41	1413	34.96	26	1.10	46	1278	31.43	25	1.20	53	1107	27.28	25	1.40	60	913	23.92	22	1.45	67	818	21.39	22	1.50	75	731	19.23	22	1.60	86	637	16.69	21	1.65	96	571	14.95	21	1.75	GS89 GSF89 GSA89 GSAF89	4P	116			472	12.40	20		1.85	134						409	10.78			19			1.95	26	3303	55.79	32	1.00	GS99 GSF99 GSA99 GSAF99	4P	29			2961			49.87			33	1.10	33	2673	44.89	33	1.20	36	2430	40.65	33	1.35	40	2160	36.05	32	1.45	45	1953	32.60	32	1.50	53	1641	27.63	28	1.60	64	1330	22.65	28	1.80	71	1198	20.48	27	1.85	84	1013	17.36	26	2.00	96	886	15.16	26	2.05	115	740	12.68	25	2.20	133	640	10.98	24	2.35	54			1620			27.28	23	0.95	GS89 GSF89 GSA89 GSAF89	4P			60	1449	24.43			22	1.05	72			1206	20.27	22			1.25	76	1120	19.23	19	1.30	87	978	16.69	19	1.35	98	868	14.95	19	1.45	118	721	12.40	18	1.55	135	630	10.78	18	1.60	15kW							15kW							13	7670	108.24	17	0.85	GS109 GSF109 GSA109 GSAF109	4P	13					7670			108.24	17	0.85	15	6878			94.48			16	0.95	18	5833	80.13	16	1.10	21	5739	70.04	16	1.15			22	5210	65.10	16	1.20	25	4749	59.13	16			1.20	28	4259	52.46	15	1.30	31	3893	47.61	15	1.30	36			3395	40.92	15	1.40	41	2964	35.72	14	1.45	48	2532	30.29			14	1.55	55			2247	26.48	13	1.65	65	1899	22.39			13	1.75																																																									
10	4794	138.77	22	1.25			11	4407	125.93	21	1.30			13	3863	108.24	21	1.40	15	3306	94.48	20	1.50	18	3207	80.13	19	1.55	21	2909	70.04	19			1.60			22	2641	65.10	18					1.65			24	2408	59.13			18	1.70					27					2159							52.46			17					1.80	30	1974	47.61	17	1.85	35	1721	40.92	16	1.95	40	1503	35.72	15	2.00	48	1284	30.29	15	2.20	14	3744	105.71	31	0.90	GS99 GSF99 GSA99 GSAF99	4P	16	3204	89.60			32	1.00	18			2817	78.26	33			1.10	20	2880			71.43	33	1.15	22	2367	65.45	34	1.20	24	2457	60.59	34	1.35	26	2268	55.79	34	1.45	29	2034	49.87	34	1.55	32	1836	44.89	34	1.60	35	1665	40.65			34			1.65	40	1485	36.05	34	1.75	GS99 GSF99 GSA99 GSAF99	4P	44	1341			32.60	34	1.80	52			1054	27.63	30			1.90	64	856			22.65	30	2.15	70	783	20.48	29	2.25	83	660	17.36	29	2.40	33	1773	44.03	26	0.90	GS89 GSF89 GSA89 GSAF89	4P	37			1575			39.10			26			1.00	41	1413	34.96	26	1.10	46	1278	31.43	25	1.20	53	1107	27.28	25	1.40	60	913	23.92	22	1.45	67	818	21.39	22	1.50	75	731	19.23	22	1.60	86	637	16.69	21	1.65	96	571	14.95	21	1.75	GS89 GSF89 GSA89 GSAF89			4P			116	472	12.40		20	1.85				134	409	10.78	19			1.95			26	3303	55.79	32	1.00	GS99 GSF99 GSA99 GSAF99			4P			29			2961			49.87	33	1.10	33	2673	44.89	33	1.20	36	2430	40.65	33	1.35	40	2160	36.05	32	1.45	45	1953	32.60	32	1.50	53	1641	27.63	28	1.60	64	1330	22.65	28	1.80	71	1198	20.48	27	1.85	84	1013	17.36	26	2.00	96	886	15.16	26	2.05	115	740	12.68	25	2.20	133	640	10.98	24	2.35	54	1620	27.28			23	0.95	GS89 GSF89 GSA89 GSAF89					4P	60	1449			24.43	22	1.05			72	1206	20.27			22	1.25	76	1120	19.23	19	1.30	87	978	16.69	19	1.35	98	868	14.95	19	1.45	118	721	12.40	18	1.55	135	630	10.78	18	1.60	15kW							15kW							13	7670	108.24	17			0.85					GS109 GSF109 GSA109 GSAF109			4P	13	7670	108.24	17			0.85			15	6878	94.48	16	0.95	18	5833	80.13	16	1.10	21	5739			70.04	16	1.15	22	5210	65.10	16	1.20	25			4749	59.13	16	1.20	28	4259	52.46	15	1.30	31	3893	47.61			15	1.30	36	3395	40.92	15	1.40	41	2964	35.72	14	1.45			48	2532	30.29			14	1.55	55	2247	26.48	13	1.65			65	1899	22.39	13	1.75																																																						
11	4407	125.93	21	1.30			13	3863	108.24	21	1.40			15	3306	94.48	20	1.50	18	3207	80.13	19	1.55	21	2909	70.04	19	1.60	22	2641	65.10	18			1.65			24	2408	59.13	18					1.70			27	2159	52.46			17	1.80					30					1974							47.61			17					1.85	35	1721	40.92	16	1.95	40	1503	35.72	15	2.00	48	1284	30.29	15	2.20	14	3744	105.71	31	0.90	GS99 GSF99 GSA99 GSAF99	4P	16	3204	89.60			32	1.00	18			2817	78.26	33			1.10	20	2880			71.43	33	1.15			22	2367	65.45	34	1.20	24	2457	60.59	34	1.35	26	2268	55.79	34	1.45	29	2034	49.87	34	1.55	32	1836	44.89	34	1.60	35	1665	40.65	34	1.65	40	1485	36.05	34			1.75	GS99 GSF99 GSA99 GSAF99	4P	44	1341	32.60			34	1.80			52	1054	27.63	30			1.90	64	856			22.65	30	2.15			70	783	20.48	29	2.25	83	660	17.36	29	2.40	33	1773	44.03	26	0.90	GS89 GSF89 GSA89 GSAF89	4P	37			1575			39.10			26			1.00			41	1413	34.96	26	1.10	46	1278	31.43	25	1.20	53	1107	27.28	25	1.40	60	913	23.92	22	1.45	67	818	21.39	22	1.50	75	731	19.23	22	1.60	86	637	16.69	21	1.65	96	571	14.95	21	1.75	GS89 GSF89 GSA89 GSAF89							4P	116	472		12.40	20	1.85	134		409	10.78	19	1.95			26			3303	55.79	32	1.00	GS99 GSF99 GSA99 GSAF99							4P			29			2961	49.87	33	1.10	33	2673	44.89	33	1.20	36	2430	40.65	33	1.35	40	2160	36.05	32	1.45	45	1953	32.60	32	1.50	53	1641	27.63	28	1.60	64	1330	22.65	28	1.80	71	1198	20.48	27	1.85	84	1013	17.36	26	2.00	96	886	15.16	26	2.05	115	740	12.68	25	2.20	133	640	10.98	24	2.35	54	1620	27.28	23	0.95	GS89 GSF89 GSA89 GSAF89							4P	60			1449	24.43	22			1.05	72	1206			20.27	22	1.25	76	1120	19.23	19	1.30	87	978	16.69	19	1.35	98	868	14.95	19	1.45	118	721	12.40	18	1.55	135	630	10.78	18	1.60	15kW							15kW							13	7670	108.24			17									0.85	GS109 GSF109 GSA109 GSAF109	4P	13			7670			108.24	17	0.85	15	6878	94.48	16	0.95	18	5833	80.13	16			1.10	21	5739	70.04	16	1.15	22	5210	65.10			16	1.20	25	4749	59.13	16	1.20	28	4259	52.46	15	1.30			31	3893	47.61	15	1.30	36	3395	40.92	15	1.40	41	2964			35.72	14	1.45			48	2532	30.29	14	1.55	55	2247			26.48	13	1.65	65	1899	22.39	13	1.75																																																			
13	3863	108.24	21	1.40			15	3306	94.48	20	1.50			18	3207	80.13	19	1.55	21	2909	70.04	19	1.60	22	2641	65.10	18	1.65	24	2408	59.13	18			1.70			27	2159	52.46	17					1.80			30	1974	47.61			17	1.85					35					1721					40.92	16	1.95			40		1503	35.72		15	2.00	48	1284	30.29	15	2.20	14	3744	105.71	31	0.90	GS99 GSF99 GSA99 GSAF99	4P	16	3204	89.60	32	1.00	18	2817			78.26	33	1.10			20	2880	71.43			33	1.15	22			2367	65.45	34			1.20	24	2457			60.59	34	1.35	26	2268	55.79	34	1.45	29	2034	49.87	34	1.55	32	1836	44.89	34	1.60	35	1665	40.65	34	1.65	40	1485	36.05	34	1.75	GS99 GSF99 GSA99 GSAF99	4P	44	1341	32.60	34	1.80	52	1054			27.63	30	1.90			64	856			22.65	30	2.15	70			783	20.48	29			2.25	83	660			17.36	29	2.40	33	1773	44.03	26	0.90	GS89 GSF89 GSA89 GSAF89	4P	37	1575	39.10	26	1.00			41			1413			34.96			26			1.10			46	1278	31.43	25	1.20	53	1107	27.28	25	1.40	60	913	23.92	22	1.45	67	818	21.39	22	1.50	75	731	19.23	22	1.60	86	637	16.69	21	1.65	96	571	14.95	21	1.75	GS89 GSF89 GSA89 GSAF89	4P	116	472	12.40									20	1.85		134	409	10.78	19		1.95	26	3303	55.79	32	1.00	GS99 GSF99 GSA99 GSAF99			4P	29	2961	49.87											33			1.10	33	2673	44.89	33	1.20	36	2430	40.65	33	1.35	40	2160	36.05	32	1.45	45	1953	32.60	32	1.50	53	1641	27.63	28	1.60	64	1330	22.65	28	1.80	71	1198	20.48	27	1.85	84	1013	17.36	26	2.00	96	886	15.16	26	2.05	115	740	12.68	25	2.20	133	640	10.98	24	2.35	54	1620	27.28	23	0.95	GS89 GSF89 GSA89 GSAF89	4P	60					1449	24.43			22			1.05	72	1206			20.27	22	1.25			76	1120	19.23	19	1.30	87	978	16.69	19	1.35	98	868	14.95	19	1.45	118	721	12.40	18	1.55	135	630	10.78	18	1.60	15kW							15kW							13	7670	108.24	17	0.85	GS109 GSF109 GSA109 GSAF109			4P		13	7670						108.24			17			0.85			15	6878	94.48	16	0.95	18	5833	80.13	16	1.10	21	5739			70.04	16	1.15	22	5210	65.10	16	1.20	25			4749	59.13	16	1.20	28	4259	52.46	15	1.30	31	3893	47.61			15	1.30	36	3395	40.92	15	1.40	41	2964	35.72	14	1.45			48	2532	30.29			14	1.55	55	2247	26.48	13	1.65			65	1899	22.39	13	1.75																																																						
15	3306	94.48	20	1.50			18	3207	80.13	19	1.55			21	2909	70.04	19	1.60	22	2641	65.10	18	1.65	24	2408	59.13	18	1.70	27	2159	52.46	17			1.80			30	1974	47.61	17					1.85			35	1721	40.92			16	1.95					40					1503		35.72	15		2.00	48	1284			30.29	15	2.20	14	3744	105.71	31	0.90	GS99 GSF99 GSA99 GSAF99	4P	16	3204	89.60	32	1.00	18	2817			78.26	33	1.10	20	2880	71.43	33			1.15	22	2367			65.45	34	1.20			24	2457	60.59			34	1.35	26			2268	55.79	34			1.45	29	2034	49.87	34	1.55	32	1836	44.89	34	1.60	35	1665	40.65	34	1.65	40	1485	36.05	34	1.75	GS99 GSF99 GSA99 GSAF99	4P	44	1341	32.60	34	1.80			52	1054	27.63	30	1.90	64	856			22.65	30	2.15			70	783			20.48	29	2.25	83			660	17.36	29			2.40	33	1773	44.03	26	0.90	GS89 GSF89 GSA89 GSAF89	4P	37	1575	39.10	26	1.00			41	1413	34.96	26	1.10			46			1278			31.43			25			1.20			53	1107	27.28	25	1.40	60	913	23.92	22	1.45	67	818	21.39	22	1.50	75	731	19.23	22	1.60	86	637	16.69	21	1.65	96	571	14.95	21	1.75	GS89 GSF89 GSA89 GSAF89	4P	116	472	12.40			20	1.85	134									409	10.78		19	1.95	26	3303		55.79	32	1.00	GS99 GSF99 GSA99 GSAF99	4P	29		2961	49.87		33	1.10	33											2673			44.89	33	1.20	36	2430	40.65	33	1.35	40	2160	36.05	32	1.45	45	1953	32.60	32	1.50	53	1641	27.63	28	1.60	64	1330	22.65	28	1.80	71	1198	20.48	27	1.85	84	1013	17.36	26	2.00	96	886	15.16	26	2.05	115	740	12.68	25	2.20	133	640	10.98	24	2.35	54	1620	27.28	23	0.95	GS89 GSF89 GSA89 GSAF89	4P	60			1449					24.43	22			1.05			72	1206	20.27			22	1.25	76	1120	19.23	19	1.30	87	978	16.69	19	1.35	98	868	14.95	19	1.45	118	721	12.40	18	1.55	135	630	10.78	18	1.60	15kW							15kW							13	7670	108.24	17	0.85	GS109 GSF109 GSA109 GSAF109	4P	13						7670	108.24						17			0.85			15	6878	94.48	16	0.95	18	5833	80.13	16	1.10	21	5739	70.04	16	1.15			22	5210	65.10	16	1.20	25	4749	59.13	16			1.20	28	4259	52.46	15	1.30	31	3893	47.61	15	1.30	36			3395	40.92	15	1.40	41	2964	35.72	14	1.45	48	2532	30.29			14	1.55	55			2247	26.48	13	1.65	65	1899	22.39			13	1.75																																																									
18	3207	80.13	19	1.55			21	2909	70.04	19	1.60			22	2641	65.10	18	1.65	24	2408	59.13	18	1.70	27	2159	52.46	17	1.80	30	1974	47.61	17			1.85			35	1721	40.92	16					1.95			40	1503	35.72			15	2.00					48		1284	30.29		15		2.20	14		3744	105.71	31	0.90	GS99 GSF99 GSA99 GSAF99	4P	16	3204	89.60	32	1.00	18	2817			78.26	33	1.10	20	2880	71.43	33			1.15	22	2367	65.45	34	1.20	24			2457	60.59	34			1.35	26	2268			55.79	34	1.45			29	2034	49.87			34	1.55	32			1836	44.89	34	1.60	35	1665	40.65	34	1.65	40	1485	36.05	34	1.75	GS99 GSF99 GSA99 GSAF99	4P	44	1341	32.60	34	1.80			52	1054	27.63	30	1.90			64	856	22.65	30	2.15	70	783			20.48	29	2.25			83	660			17.36	29	2.40	33			1773	44.03	26	0.90	GS89 GSF89 GSA89 GSAF89	4P	37	1575	39.10	26	1.00			41	1413	34.96	26	1.10			46	1278	31.43	25	1.20			53			1107			27.28			25			1.40			60	913	23.92	22	1.45	67	818	21.39	22	1.50	75	731	19.23	22	1.60	86	637	16.69	21	1.65	96	571	14.95	21	1.75	GS89 GSF89 GSA89 GSAF89	4P	116	472	12.40			20	1.85	134			409	10.78	19									1.95	26	3303	55.79	32	1.00	GS99 GSF99 GSA99 GSAF99	4P	29	2961	49.87			33		1.10	33		2673	44.89	33											1.20			36	2430	40.65	33	1.35	40	2160	36.05	32	1.45	45	1953	32.60	32	1.50	53	1641	27.63	28	1.60	64	1330	22.65	28	1.80	71	1198	20.48	27	1.85	84	1013	17.36	26	2.00	96	886	15.16	26	2.05	115	740	12.68	25	2.20	133	640	10.98	24	2.35	54	1620	27.28	23	0.95	GS89 GSF89 GSA89 GSAF89	4P	60			1449			24.43					22	1.05			72			1206	20.27	22	1.25	76	1120	19.23	19	1.30	87	978	16.69	19	1.35	98	868	14.95	19	1.45	118	721	12.40	18	1.55	135	630	10.78	18	1.60	15kW							15kW							13	7670	108.24	17	0.85	GS109 GSF109 GSA109 GSAF109	4P	13			7670						108.24	17						0.85			15			6878	94.48	16	0.95	18	5833	80.13	16	1.10	21	5739	70.04	16	1.15	22	5210	65.10	16	1.20	25	4749	59.13	16	1.20	28	4259			52.46	15	1.30	31	3893	47.61	15	1.30	36	3395	40.92	15			1.40	41	2964	35.72	14	1.45	48	2532	30.29	14	1.55	55			2247	26.48	13			1.65	65	1899	22.39	13	1.75																																																														
21	2909	70.04	19	1.60			22	2641	65.10	18	1.65			24	2408	59.13	18	1.70	27	2159	52.46	17	1.80	30	1974	47.61	17	1.85	35	1721	40.92	16			1.95			40	1503	35.72	15					2.00			48	1284	30.29			15	2.20		14	3744		105.71		31	0.90		GS99 GSF99 GSA99 GSAF99	4P	16	3204	89.60	32	1.00	18	2817			78.26	33	1.10	20	2880	71.43	33			1.15	22	2367	65.45	34	1.20	24			2457	60.59	34	1.35	26	2268	55.79			34	1.45	29			2034	49.87	34			1.55	32	1836			44.89	34	1.60			35	1665	40.65			34	1.65	40	1485	36.05	34	1.75	GS99 GSF99 GSA99 GSAF99	4P	44	1341	32.60	34	1.80			52	1054	27.63	30	1.90			64	856	22.65	30	2.15			70	783	20.48	29	2.25	83	660			17.36	29	2.40			33	1773			44.03	26	0.90	GS89 GSF89 GSA89 GSAF89	4P	37	1575	39.10	26	1.00			41	1413	34.96	26	1.10			46	1278	31.43	25	1.20			53	1107	27.28	25	1.40			60			913			23.92			22			1.45			67	818	21.39	22	1.50	75	731	19.23	22	1.60	86	637	16.69	21	1.65	96	571	14.95	21	1.75	GS89 GSF89 GSA89 GSAF89	4P	116	472	12.40			20	1.85	134			409	10.78	19			1.95	26	3303						55.79	32		1.00	GS99 GSF99 GSA99 GSAF99	4P	29	2961	49.87			33	1.10	33			2673		44.89	33		1.20	36	2430											40.65			33	1.35	40	2160	36.05	32	1.45	45	1953	32.60	32	1.50	53	1641	27.63	28	1.60	64	1330	22.65	28	1.80	71	1198	20.48	27	1.85	84	1013	17.36	26	2.00	96	886	15.16	26	2.05	115	740	12.68	25	2.20	133	640	10.98	24	2.35	54	1620	27.28	23	0.95	GS89 GSF89 GSA89 GSAF89	4P	60			1449			24.43			22					1.05	72			1206	20.27	22	1.25	76	1120	19.23	19	1.30	87	978	16.69	19	1.35	98	868	14.95	19	1.45	118	721	12.40	18	1.55	135	630	10.78	18	1.60	15kW							15kW							13	7670	108.24	17	0.85	GS109 GSF109 GSA109 GSAF109	4P	13			7670			108.24						17	0.85						15			6878			94.48	16	0.95	18	5833	80.13	16	1.10	21	5739	70.04	16	1.15	22	5210	65.10	16	1.20	25	4749	59.13	16	1.20	28	4259	52.46	15	1.30	31	3893	47.61	15	1.30	36	3395	40.92	15	1.40	41	2964			35.72	14	1.45	48	2532	30.29	14	1.55	55	2247	26.48	13			1.65	65	1899			22.39	13	1.75																																																																	
22	2641	65.10	18	1.65			24	2408	59.13	18	1.70			27	2159	52.46	17	1.80	30	1974	47.61	17	1.85	35	1721	40.92	16	1.95	40	1503	35.72	15			2.00			48	1284	30.29	15					2.20			14	3744	105.71	31	0.90	GS99 GSF99 GSA99 GSAF99	4P		16	3204		89.60	32	1.00	18	2817			78.26	33	1.10	20	2880	71.43	33			1.15	22	2367	65.45	34	1.20	24			2457	60.59	34	1.35	26	2268	55.79			34	1.45	29	2034	49.87	34	1.55			32	1836	44.89			34	1.60	35			1665	40.65	34			1.65	40	1485			36.05	34	1.75	GS99 GSF99 GSA99 GSAF99	4P	44	1341	32.60	34	1.80	52	1054			27.63	30	1.90	64	856			22.65	30	2.15	70	783			20.48	29	2.25	83	660			17.36	29	2.40	33	1773	44.03	26			0.90	GS89 GSF89 GSA89 GSAF89	4P			37	1575	39.10	26	1.00	41	1413			34.96	26	1.10	46	1278			31.43	25	1.20	53	1107			27.28	25	1.40	60	913			23.92	22	1.45	67	818			21.39			22			1.50			75			731	19.23	22	1.60	86	637	16.69	21	1.65	96	571	14.95	21	1.75	GS89 GSF89 GSA89 GSAF89	4P	116	472	12.40	20	1.85	134	409			10.78	19	1.95			26	3303	55.79			32	1.00	GS99 GSF99 GSA99 GSAF99			4P	29	2961			49.87	33		1.10	33		2673			44.89	33	1.20			36	2430	40.65			33		1.35	40		2160	36.05	32											1.45	45	1953	32.60	32	1.50	53	1641	27.63	28	1.60	64	1330	22.65	28	1.80	71	1198	20.48	27	1.85	84	1013	17.36	26	2.00	96	886	15.16	26	2.05	115	740	12.68	25	2.20	133	640	10.98	24	2.35	54	1620	27.28	23	0.95	GS89 GSF89 GSA89 GSAF89	4P	60	1449	24.43	22	1.05	72	1206			20.27			22			1.25			76			1120	19.23	19	1.30			87	978	16.69	19	1.35	98	868	14.95	19	1.45	118	721	12.40	18	1.55	135	630	10.78	18	1.60	15kW							15kW							13	7670	108.24	17	0.85	GS109 GSF109 GSA109 GSAF109	4P	13	7670	108.24	17	0.85	15	6878			94.48			16			0.95						18	5833						80.13			16			1.10	21	5739	70.04	16	1.15	22	5210	65.10	16	1.20	25	4749	59.13	16	1.20	28	4259	52.46	15	1.30	31	3893	47.61	15	1.30	36	3395	40.92	15	1.40	41	2964	35.72	14	1.45	48	2532	30.29	14	1.55	55	2247	26.48	13	1.65	65	1899	22.39	13	1.75																																																																														
24	2408	59.13	18	1.70			27	2159	52.46	17	1.80			30	1974	47.61	17	1.85	35	1721	40.92	16	1.95	40	1503	35.72	15	2.00	48	1284	30.29	15			2.20			14	3744	105.71	31					0.90	GS99 GSF99 GSA99 GSAF99	4P	16	3204	89.60	32	1.00			18	2817	78.26	33	1.10	20	2880	71.43	33			1.15	22	2367	65.45	34	1.20	24			2457	60.59	34	1.35	26	2268	55.79			34	1.45	29	2034	49.87	34	1.55			32	1836	44.89	34	1.60	35	1665			40.65	34	1.65			40	1485	36.05			34	1.75	GS99 GSF99 GSA99 GSAF99			4P	44	1341	32.60	34	1.80	52	1054			27.63	30	1.90	64	856	22.65	30			2.15	70	783	20.48	29			2.25	83	660	17.36	29			2.40	33	1773	44.03	26			0.90	GS89 GSF89 GSA89 GSAF89	4P	37	1575	39.10	26			1.00			41	1413	34.96	26	1.10	46	1278	31.43	25			1.20	53	1107	27.28	25			1.40	60	913	23.92	22			1.45	67	818	21.39	22			1.50	75	731	19.23	22			1.60			86			637			16.69	21	1.65	96	571	14.95	21	1.75	GS89 GSF89 GSA89 GSAF89	4P	116	472	12.40	20	1.85	134	409			10.78	19	1.95	26	3303	55.79	32			1.00	GS99 GSF99 GSA99 GSAF99	4P			29	2961	49.87			33	1.10					33	2673		44.89	33	1.20	36	2430	40.65		33			1.35	40	2160			36.05	32	1.45			45		1953	32.60		32	1.50	53									1641	27.63	28	1.60	64	1330	22.65	28	1.80	71	1198	20.48	27	1.85	84	1013	17.36	26	2.00	96	886	15.16	26	2.05	115	740	12.68	25	2.20	133	640	10.98	24	2.35	54	1620	27.28	23	0.95	GS89 GSF89 GSA89 GSAF89	4P	60	1449	24.43	22	1.05	72	1206			20.27	22	1.25	76	1120	19.23	19			1.30			87			978			16.69		19	1.35	98	868	14.95	19		1.45	118	721	12.40	18	1.55	135	630	10.78	18	1.60	15kW							15kW							13	7670	108.24	17	0.85	GS109 GSF109 GSA109 GSAF109	4P	13	7670	108.24	17	0.85	15	6878			94.48	16	0.95	18	5833	80.13	16			1.10			21			5739						70.04	16						1.15			22			5210	65.10	16	1.20	25	4749	59.13	16	1.20	28	4259	52.46	15	1.30	31	3893	47.61	15	1.30	36	3395	40.92	15	1.40	41	2964	35.72	14	1.45	48	2532	30.29	14	1.55	55	2247	26.48	13	1.65	65	1899	22.39	13	1.75																																																																																					
27	2159	52.46	17	1.80			30	1974	47.61	17	1.85			35	1721	40.92	16	1.95	40	1503	35.72	15	2.00	48	1284	30.29	15	2.20	14	3744	105.71	31			0.90	GS99 GSF99 GSA99 GSAF99	4P	16	3204	89.60	32		1.00	18		2817			78.26	33	1.10	20	2880			71.43	33	1.15	22	2367	65.45	34	1.20	24			2457	60.59	34	1.35	26	2268	55.79			34	1.45	29	2034	49.87	34	1.55			32	1836	44.89	34	1.60	35	1665			40.65	34	1.65	40	1485	36.05	34			1.75	GS99 GSF99 GSA99 GSAF99	4P			44	1341	32.60			34	1.80		52	1054		27.63	30	1.90	64	856	22.65	30			2.15	70	783	20.48	29	2.25	83			660	17.36	29	2.40	33			1773	44.03	26	0.90	GS89 GSF89 GSA89 GSAF89			4P	37	1575	39.10	26			1.00			41	1413	34.96	26	1.10	46	1278			31.43	25	1.20	53	1107	27.28	25	1.40	60			913	23.92	22	1.45	67			818	21.39	22	1.50	75			731	19.23	22	1.60	86			637	16.69	21	1.65	96			571			14.95			21	1.75	GS89 GSF89 GSA89 GSAF89	4P	116	472	12.40	20	1.85	134	409			10.78	19	1.95	26	3303	55.79	32			1.00	GS99 GSF99 GSA99 GSAF99	4P	29	2961	49.87	33			1.10					33	2673	44.89			33	1.20					36	2430	40.65	33	1.35	40	2160	36.05	32	1.45	45			1953	32.60	32			1.50	53	1641			27.63		28	1.60		64	1330	22.65						28	1.80		71	1198	20.48	27	1.85	84	1013	17.36	26	2.00	96	886	15.16	26	2.05	115	740	12.68	25	2.20	133	640	10.98	24	2.35	54	1620	27.28	23	0.95	GS89 GSF89 GSA89 GSAF89	4P	60	1449	24.43	22	1.05	72	1206			20.27	22	1.25	76	1120	19.23	19			1.30	87	978	16.69	19	1.35	98			868			14.95			19			1.45	118	721	12.40	18	1.55	135	630	10.78	18	1.60	15kW							15kW							13	7670	108.24	17	0.85	GS109 GSF109 GSA109 GSAF109	4P	13	7670	108.24	17	0.85	15	6878			94.48	16	0.95	18	5833	80.13	16			1.10	21	5739	70.04	16	1.15	22			5210			65.10			16						1.20	25						4749			59.13			16	1.20	28	4259	52.46	15	1.30	31	3893	47.61	15	1.30	36	3395	40.92	15	1.40	41	2964	35.72	14	1.45	48	2532	30.29	14	1.55	55	2247	26.48	13	1.65	65	1899	22.39	13	1.75																																																																																												
30	1974	47.61	17	1.85			35	1721	40.92	16	1.95			40	1503	35.72	15	2.00	48	1284	30.29	15	2.20	14	3744	105.71	31	0.90	GS99 GSF99 GSA99 GSAF99	4P	16	3204	89.60	32	1.00			18	2817	78.26	33	1.10	20	2880	71.43	33			1.15	22	2367	65.45	34			1.20	24	2457	60.59	34	1.35	26	2268	55.79			34	1.45	29	2034	49.87	34	1.55			32	1836	44.89	34	1.60	35	1665			40.65	34	1.65	40	1485	36.05	34			1.75	GS99 GSF99 GSA99 GSAF99	4P	44	1341	32.60	34			1.80					52	1054	27.63	30	1.90	64	856		22.65	30		2.15	70	783	20.48	29	2.25	83			660	17.36	29	2.40	33	1773	44.03			26	0.90	GS89 GSF89 GSA89 GSAF89	4P	37			1575	39.10	26	1.00					41	1413	34.96	26	1.10	46	1278			31.43	25	1.20	53	1107	27.28	25			1.40	60	913	23.92	22	1.45	67	818	21.39			22	1.50	75	731	19.23			22	1.60	86	637	16.69			21	1.65	96	571	14.95			21	1.75	GS89 GSF89 GSA89 GSAF89	4P	116			472			12.40	20	1.85	134	409			10.78	19	1.95	26	3303	55.79	32			1.00	GS99 GSF99 GSA99 GSAF99	4P	29	2961	49.87	33			1.10			33	2673	44.89	33			1.20					36	2430	40.65			33	1.35		40	2160		36.05	32	1.45	45	1953	32.60	32	1.50	53	1641	27.63			28	1.60	64			1330	22.65	28			1.80		71	1198		20.48	27	1.85			84	1013		17.36	26		2.00	96	886	15.16	26	2.05	115	740	12.68	25	2.20	133	640	10.98	24	2.35	54	1620	27.28	23	0.95	GS89 GSF89 GSA89 GSAF89	4P	60	1449	24.43	22	1.05	72	1206			20.27	22	1.25	76	1120	19.23	19			1.30	87	978	16.69	19	1.35	98			868	14.95	19	1.45	118	721	12.40			18			1.55			135	630	10.78	18	1.60	15kW							15kW							13	7670	108.24	17	0.85	GS109 GSF109 GSA109 GSAF109	4P	13	7670	108.24	17	0.85	15	6878			94.48	16	0.95	18	5833	80.13	16			1.10	21	5739	70.04	16	1.15	22			5210	65.10	16	1.20	25	4749	59.13			16			1.20			28						4259	52.46						15			1.30			31	3893	47.61	15	1.30	36	3395	40.92	15	1.40	41	2964	35.72	14	1.45	48	2532	30.29	14	1.55	55	2247	26.48	13	1.65	65	1899	22.39	13	1.75																																																																																																			
35	1721	40.92	16	1.95			40	1503	35.72	15	2.00			48	1284	30.29	15	2.20	14	3744	105.71	31	0.90	GS99 GSF99 GSA99 GSAF99	4P	16	3204	89.60			32	1.00	18	2817	78.26			33	1.10	20	2880	71.43	33	1.15	22	2367			65.45	34	1.20	24	2457			60.59	34	1.35	26	2268	55.79	34	1.45	29			2034	49.87	34	1.55	32	1836	44.89			34	1.60	35	1665	40.65	34	1.65			40	1485	36.05	34	1.75	GS99 GSF99 GSA99 GSAF99	4P			44			1341	32.60	34	1.80			52			1054	27.63	30	1.90	64	856	22.65	30	2.15		70	783		20.48	29	2.25	83	660	17.36	29			2.40	33	1773	44.03	26	0.90	GS89 GSF89 GSA89 GSAF89			4P	37			1575			39.10	26	1.00	41		1413	34.96		26	1.10	46	1278	31.43	25	1.20			53	1107	27.28	25	1.40	60	913			23.92	22	1.45	67	818	21.39	22	1.50	75			731	19.23	22	1.60	86			637	16.69	21	1.65	96			571	14.95	21	1.75	GS89 GSF89 GSA89 GSAF89			4P	116			472			12.40	20	1.85	134	409	10.78	19	1.95			26	3303	55.79	32	1.00	GS99 GSF99 GSA99 GSAF99	4P			29			2961	49.87	33	1.10			33			2673	44.89	33	1.20			36					2430	40.65	33	1.35	40	2160	36.05		32	1.45		45	1953	32.60	32	1.50	53	1641	27.63	28	1.60	64			1330	22.65	28			1.80	71	1198			20.48		27	1.85		84	1013	17.36		26	2.00	96	886	15.16	26		2.05	115	740	12.68	25	2.20	133	640	10.98	24	2.35	54	1620	27.28	23	0.95	GS89 GSF89 GSA89 GSAF89	4P	60	1449	24.43			22	1.05	72	1206	20.27	22	1.25			76	1120	19.23	19	1.30	87	978			16.69	19	1.35	98	868	14.95	19			1.45	118	721	12.40	18	1.55	135			630			10.78	18	1.60	15kW							15kW							13	7670	108.24	17	0.85	GS109 GSF109 GSA109 GSAF109	4P	13	7670	108.24			17	0.85	15	6878	94.48	16	0.95			18	5833	80.13	16	1.10	21	5739			70.04	16	1.15	22	5210	65.10	16			1.20	25	4749	59.13	16	1.20	28			4259			52.46			15						1.30	31						3893			47.61			15	1.30	36	3395	40.92	15	1.40	41	2964	35.72	14	1.45	48	2532	30.29	14	1.55	55	2247	26.48	13	1.65	65	1899	22.39	13	1.75																																																																																																						
40	1503	35.72	15	2.00			48	1284	30.29	15	2.20			14	3744	105.71	31	0.90	GS99 GSF99 GSA99 GSAF99	4P	16	3204	89.60			32	1.00	18			2817	78.26	33	1.10	20			2880	71.43	33	1.15	22	2367	65.45	34	1.20			24	2457	60.59	34	1.35			26	2268	55.79	34	1.45	29	2034	49.87	34			1.55	32	1836	44.89	34	1.60	35			1665	40.65	34	1.65	40	1485	36.05			34	1.75	GS99 GSF99 GSA99 GSAF99	4P	44					1341			32.60	34	1.80	52	1054	27.63	30			1.90	64	856	22.65	30	2.15	70	783	20.48		29	2.25		83	660	17.36	29	2.40	33	1773			44.03	26	0.90	GS89 GSF89 GSA89 GSAF89	4P	37					1575			39.10	26	1.00	41	1413	34.96	26		1.10	46		1278	31.43	25	1.20	53	1107	27.28			25	1.40	60	913	23.92	22	1.45			67	818	21.39	22	1.50	75	731	19.23	22			1.60	86	637	16.69	21			1.65	96	571	14.95	21			1.75	GS89 GSF89 GSA89 GSAF89	4P	116					472			12.40	20	1.85	134	409	10.78	19	1.95	26	3303	55.79			32	1.00	GS99 GSF99 GSA99 GSAF99	4P	29					2961			49.87	33	1.10	33			2673			44.89	33	1.20	36			2430			40.65	33	1.35	40	2160	36.05	32	1.45	45		1953	32.60		32	1.50	53	1641	27.63	28	1.60	64	1330	22.65	28			1.80	71	1198			20.48	27	1.85			84		1013	17.36		26	2.00	96	886	15.16	26	2.05	115	740	12.68	25	2.20	133	640	10.98	24	2.35	54	1620	27.28	23	0.95	GS89 GSF89 GSA89 GSAF89	4P	60	1449	24.43			22	1.05	72			1206	20.27	22	1.25	76	1120	19.23			19	1.30	87	978	16.69	19	1.35			98	868	14.95	19	1.45	118	721			12.40	18	1.55	135	630	10.78	18			1.60	15kW							15kW							13	7670	108.24	17	0.85	GS109 GSF109 GSA109 GSAF109	4P	13	7670	108.24			17	0.85	15			6878	94.48	16	0.95	18	5833	80.13			16	1.10	21	5739	70.04	16	1.15			22	5210	65.10	16	1.20	25	4749			59.13	16	1.20	28	4259	52.46	15			1.30			31			3893						47.61	15						1.30			36			3395	40.92	15	1.40	41	2964	35.72	14	1.45	48	2532	30.29	14	1.55	55	2247	26.48	13	1.65	65	1899	22.39	13	1.75																																																																																																									
48	1284	30.29	15	2.20	14	3744	105.71	31	0.90	GS99 GSF99 GSA99 GSAF99	4P	16	3204	89.60	32	1.00	18	2817			78.26	33	1.10			20	2880	71.43			33	1.15	22	2367	65.45			34	1.20	24	2457	60.59	34	1.35	26	2268			55.79	34	1.45	29	2034			49.87	34	1.55	32	1836	44.89	34	1.60	35			1665	40.65	34	1.65	40	1485	36.05			34	1.75	GS99 GSF99 GSA99 GSAF99	4P	44	1341	32.60			34	1.80			52			1054	27.63	30			1.90	64	856	22.65	30	2.15	70			783	20.48	29	2.25	83	660	17.36	29	2.40		33	1773		44.03	26	0.90	GS89 GSF89 GSA89 GSAF89	4P	37	1575			39.10	26	1.00			41		1413	34.96		26			1.10	46	1278	31.43	25	1.20	53		1107	27.28		25	1.40	60	913	23.92	22	1.45			67	818	21.39	22	1.50	75	731			19.23	22	1.60	86	637	16.69	21	1.65	96			571	14.95	21	1.75	GS89 GSF89 GSA89 GSAF89			4P	116	472	12.40	20			1.85			134		409	10.78		19			1.95	26	3303	55.79	32	1.00	GS99 GSF99 GSA99 GSAF99	4P	29	2961	49.87			33	1.10			33					2673			44.89	33	1.20	36			2430			40.65	33	1.35	40	2160	36.05	32			1.45	45	1953	32.60	32	1.50	53	1641	27.63		28	1.60		64	1330	22.65	28	1.80	71	1198	20.48	27	1.85	84			1013	17.36	26			2.00	96	886			15.16	26	2.05	115	740	12.68	25	2.20	133	640	10.98	24	2.35	54	1620	27.28	23	0.95	GS89 GSF89 GSA89 GSAF89	4P	60	1449	24.43	22	1.05	72	1206			20.27	22	1.25			76	1120	19.23			19	1.30	87	978	16.69	19	1.35			98	868	14.95	19	1.45	118	721			12.40	18	1.55	135	630	10.78	18			1.60	15kW							15kW							13	7670	108.24	17	0.85	GS109 GSF109 GSA109 GSAF109	4P	13	7670	108.24	17	0.85	15	6878			94.48	16	0.95			18	5833	80.13			16	1.10	21	5739	70.04	16	1.15			22	5210	65.10	16	1.20	25	4749			59.13	16	1.20	28	4259	52.46	15			1.30	31	3893	47.61	15	1.30	36			3395			40.92			15						1.40	41						2964			35.72			14	1.45	48	2532	30.29	14	1.55	55	2247	26.48	13	1.65	65	1899	22.39	13	1.75																																																																																																																
14	3744	105.71	31	0.90	GS99 GSF99 GSA99 GSAF99	4P	16	3204	89.60			32	1.00	18	2817	78.26	33	1.10			20	2880	71.43			33	1.15	22			2367	65.45	34	1.20	24			2457	60.59	34	1.35	26	2268	55.79	34	1.45			29	2034	49.87	34	1.55			32	1836	44.89	34	1.60	35	1665	40.65	34			1.65	40	1485	36.05	34	1.75	GS99 GSF99 GSA99 GSAF99			4P	44			1341	32.60	34	1.80	52	1054	27.63			30			1.90	64	856			22.65	30	2.15	70	783	20.48	29			2.25	83	660	17.36	29	2.40	33	1773	44.03		26	0.90		GS89 GSF89 GSA89 GSAF89	4P	37			1575	39.10	26	1.00	41	1413	34.96			26		1.10	46		1278			31.43	25	1.20	53	1107	27.28	25		1.40	60		913	23.92	22	1.45	67	818	21.39			22	1.50	75	731	19.23	22	1.60			86	637	16.69	21	1.65	96	571	14.95	21			1.75	GS89 GSF89 GSA89 GSAF89	4P	116					472	12.40	20	1.85	134	409	10.78			19		1.95	26		3303			55.79	32	1.00	GS99 GSF99 GSA99 GSAF99	4P	29			2961	49.87	33			1.10	33			2673					44.89			33	1.20	36	2430	40.65	33	1.35			40	2160	36.05	32	1.45	45	1953			32.60	32	1.50	53	1641	27.63	28	1.60	64		1330	22.65		28	1.80	71	1198	20.48	27	1.85	84	1013	17.36	26			2.00	96	886			15.16	26	2.05	115	740	12.68	25	2.20	133	640	10.98	24	2.35	54	1620	27.28	23	0.95	GS89 GSF89 GSA89 GSAF89	4P	60	1449	24.43			22	1.05	72	1206	20.27	22	1.25			76	1120	19.23			19	1.30	87			978	16.69	19	1.35	98	868	14.95			19	1.45	118	721	12.40	18	1.55			135	630	10.78	18	1.60	15kW							15kW							13	7670	108.24	17	0.85	GS109 GSF109 GSA109 GSAF109	4P	13	7670	108.24			17	0.85	15	6878	94.48	16	0.95			18	5833	80.13			16	1.10	21			5739	70.04	16	1.15	22	5210	65.10			16	1.20	25	4749	59.13	16	1.20			28	4259	52.46	15	1.30	31	3893			47.61	15	1.30	36	3395	40.92	15			1.40			41			2964						35.72	14						1.45			48	2532	30.29	14	1.55	55	2247	26.48	13	1.65	65	1899	22.39	13	1.75																																																																																																																					
16	3204	89.60	32	1.00																																																																																																																																																																																																																																																																																																																																																																																																																																																																																																																																																																																																	
18	2817	78.26	33	1.10																																																																																																																																																																																																																																																																																																																																																																																																																																																																																																																																																																																																	
20	2880	71.43	33	1.15																																																																																																																																																																																																																																																																																																																																																																																																																																																																																																																																																																																																	
22	2367	65.45	34	1.20																																																																																																																																																																																																																																																																																																																																																																																																																																																																																																																																																																																																	
24	2457	60.59	34	1.35																																																																																																																																																																																																																																																																																																																																																																																																																																																																																																																																																																																																	
26	2268	55.79	34	1.45																																																																																																																																																																																																																																																																																																																																																																																																																																																																																																																																																																																																	
29	2034	49.87	34	1.55																																																																																																																																																																																																																																																																																																																																																																																																																																																																																																																																																																																																	
32	1836	44.89	34	1.60																																																																																																																																																																																																																																																																																																																																																																																																																																																																																																																																																																																																	
35	1665	40.65	34	1.65																																																																																																																																																																																																																																																																																																																																																																																																																																																																																																																																																																																																	
40	1485	36.05	34	1.75	GS99 GSF99 GSA99 GSAF99	4P																																																																																																																																																																																																																																																																																																																																																																																																																																																																																																																																																																																															
44	1341	32.60	34	1.80																																																																																																																																																																																																																																																																																																																																																																																																																																																																																																																																																																																																	
52	1054	27.63	30	1.90																																																																																																																																																																																																																																																																																																																																																																																																																																																																																																																																																																																																	
64	856	22.65	30	2.15																																																																																																																																																																																																																																																																																																																																																																																																																																																																																																																																																																																																	
70	783	20.48	29	2.25																																																																																																																																																																																																																																																																																																																																																																																																																																																																																																																																																																																																	
83	660	17.36	29	2.40																																																																																																																																																																																																																																																																																																																																																																																																																																																																																																																																																																																																	
33	1773	44.03	26	0.90			GS89 GSF89 GSA89 GSAF89	4P																																																																																																																																																																																																																																																																																																																																																																																																																																																																																																																																																																																													
37	1575	39.10	26	1.00																																																																																																																																																																																																																																																																																																																																																																																																																																																																																																																																																																																																	
41	1413	34.96	26	1.10																																																																																																																																																																																																																																																																																																																																																																																																																																																																																																																																																																																																	
46	1278	31.43	25	1.20																																																																																																																																																																																																																																																																																																																																																																																																																																																																																																																																																																																																	
53	1107	27.28	25	1.40																																																																																																																																																																																																																																																																																																																																																																																																																																																																																																																																																																																																	
60	913	23.92	22	1.45																																																																																																																																																																																																																																																																																																																																																																																																																																																																																																																																																																																																	
67	818	21.39	22	1.50																																																																																																																																																																																																																																																																																																																																																																																																																																																																																																																																																																																																	
75	731	19.23	22	1.60																																																																																																																																																																																																																																																																																																																																																																																																																																																																																																																																																																																																	
86	637	16.69	21	1.65																																																																																																																																																																																																																																																																																																																																																																																																																																																																																																																																																																																																	
96	571	14.95	21	1.75	GS89 GSF89 GSA89 GSAF89	4P																																																																																																																																																																																																																																																																																																																																																																																																																																																																																																																																																																																															
116	472	12.40	20	1.85																																																																																																																																																																																																																																																																																																																																																																																																																																																																																																																																																																																																	
134	409	10.78	19	1.95																																																																																																																																																																																																																																																																																																																																																																																																																																																																																																																																																																																																	
26	3303	55.79	32	1.00			GS99 GSF99 GSA99 GSAF99	4P																																																																																																																																																																																																																																																																																																																																																																																																																																																																																																																																																																																													
29	2961	49.87	33	1.10																																																																																																																																																																																																																																																																																																																																																																																																																																																																																																																																																																																																	
33	2673	44.89	33	1.20																																																																																																																																																																																																																																																																																																																																																																																																																																																																																																																																																																																																	
36	2430	40.65	33	1.35																																																																																																																																																																																																																																																																																																																																																																																																																																																																																																																																																																																																	
40	2160	36.05	32	1.45																																																																																																																																																																																																																																																																																																																																																																																																																																																																																																																																																																																																	
45	1953	32.60	32	1.50																																																																																																																																																																																																																																																																																																																																																																																																																																																																																																																																																																																																	
53	1641	27.63	28	1.60																																																																																																																																																																																																																																																																																																																																																																																																																																																																																																																																																																																																	
64	1330	22.65	28	1.80																																																																																																																																																																																																																																																																																																																																																																																																																																																																																																																																																																																																	
71	1198	20.48	27	1.85																																																																																																																																																																																																																																																																																																																																																																																																																																																																																																																																																																																																	
84	1013	17.36	26	2.00																																																																																																																																																																																																																																																																																																																																																																																																																																																																																																																																																																																																	
96	886	15.16	26	2.05																																																																																																																																																																																																																																																																																																																																																																																																																																																																																																																																																																																																	
115	740	12.68	25	2.20																																																																																																																																																																																																																																																																																																																																																																																																																																																																																																																																																																																																	
133	640	10.98	24	2.35																																																																																																																																																																																																																																																																																																																																																																																																																																																																																																																																																																																																	
54	1620	27.28	23	0.95	GS89 GSF89 GSA89 GSAF89	4P																																																																																																																																																																																																																																																																																																																																																																																																																																																																																																																																																																																															
60	1449	24.43	22	1.05																																																																																																																																																																																																																																																																																																																																																																																																																																																																																																																																																																																																	
72	1206	20.27	22	1.25																																																																																																																																																																																																																																																																																																																																																																																																																																																																																																																																																																																																	
76	1120	19.23	19	1.30																																																																																																																																																																																																																																																																																																																																																																																																																																																																																																																																																																																																	
87	978	16.69	19	1.35																																																																																																																																																																																																																																																																																																																																																																																																																																																																																																																																																																																																	
98	868	14.95	19	1.45																																																																																																																																																																																																																																																																																																																																																																																																																																																																																																																																																																																																	
118	721	12.40	18	1.55																																																																																																																																																																																																																																																																																																																																																																																																																																																																																																																																																																																																	
135	630	10.78	18	1.60																																																																																																																																																																																																																																																																																																																																																																																																																																																																																																																																																																																																	
15kW							15kW																																																																																																																																																																																																																																																																																																																																																																																																																																																																																																																																																																																														
13	7670	108.24	17	0.85	GS109 GSF109 GSA109 GSAF109	4P	13	7670	108.24	17	0.85																																																																																																																																																																																																																																																																																																																																																																																																																																																																																																																																																																																										
15	6878	94.48	16	0.95																																																																																																																																																																																																																																																																																																																																																																																																																																																																																																																																																																																																	
18	5833	80.13	16	1.10																																																																																																																																																																																																																																																																																																																																																																																																																																																																																																																																																																																																	
21	5739	70.04	16	1.15																																																																																																																																																																																																																																																																																																																																																																																																																																																																																																																																																																																																	
22	5210	65.10	16	1.20																																																																																																																																																																																																																																																																																																																																																																																																																																																																																																																																																																																																	
25	4749	59.13	16	1.20																																																																																																																																																																																																																																																																																																																																																																																																																																																																																																																																																																																																	
28	4259	52.46	15	1.30																																																																																																																																																																																																																																																																																																																																																																																																																																																																																																																																																																																																	
31	3893	47.61	15	1.30																																																																																																																																																																																																																																																																																																																																																																																																																																																																																																																																																																																																	
36	3395	40.92	15	1.40																																																																																																																																																																																																																																																																																																																																																																																																																																																																																																																																																																																																	
41	2964	35.72	14	1.45																																																																																																																																																																																																																																																																																																																																																																																																																																																																																																																																																																																																	
48	2532	30.29	14	1.55																																																																																																																																																																																																																																																																																																																																																																																																																																																																																																																																																																																																	
55	2247	26.48	13	1.65																																																																																																																																																																																																																																																																																																																																																																																																																																																																																																																																																																																																	
65	1899	22.39	13	1.75																																																																																																																																																																																																																																																																																																																																																																																																																																																																																																																																																																																																	

选型参数表
(恒功率)
Selection Table
(Constant Power)

n_a [r/min]	M_a [N.m]	i	F_{Ra} [kN]	f_B	机型号 Type size	极数 Pole	n_a [r/min]	M_a [N.m]	i	F_{Ra} [kN]	f_B	机型号 Type size	极数 Pole																																																																																																																																																																																																																																																													
15kW							22kW																																																																																																																																																																																																																																																																			
33	3600	44.89	30	0.90	GS99 GSF99 GSA99 GSAF99	4P	23	7590	65.10	14	0.85	GS109 GSF109 GSA109 GSAF109	4P																																																																																																																																																																																																																																																													
36	3267	40.65	30	1.00			40	2907	36.05	29	1.10			45	2579	32.60	29	1.15	53	2189	27.63	25	1.35	64	1813	22.65	25	1.55	71	1634	20.48	25	1.60	84	1381	17.36	24	1.70	96	1209	15.16	24	1.75	115	1009	12.68	24	1.90	133	872	10.98	23	2.00	98	1184	14.95	17	0.95	GS89 GSF89 GSA89 GSAF89	4P	53	3267	27.63	25	0.90	GS99 GSF99 GSA99 GSAF99	4P	118	983	12.40	17	1.15	135	860	10.78	17	1.30	72	2405	20.48	19	1.00	85	2037	17.36	21	1.15	97	1785	15.16	21	1.30	116	1493	12.68	21	1.50	134	1292	10.98	21	1.65	18.5kW							30kW							16	8425	94.48	15	0.80	GS109 GSF109 GSA109 GSAF109	4P	31	7734	47.61	12	0.85	GS109 GSF109 GSA109 GSAF109	4P	18	7145	80.13	15	0.90	21	6991	70.04	15	0.90	23	6383	65.10	15	1.00	25	5818	59.13	15	1.10	28	5217	52.46	14	1.15	31	4769	47.61	14	1.20	36	4159	40.92	14	1.25	41	3631	35.72	13	1.35	49	3101	30.29	13	1.40	56	2752	26.48	13	1.50	66	2327	22.39	12	1.55	41	3573	36.05	27	0.90	GS99 GSF99 GSA99 GSAF99	4P	36	6745	40.92	12	0.95	45	3231	32.60	27	0.95	53	2754	27.63	27	1.05	65	2246	22.65	27	1.20	72	2027	20.48	23	1.20	85	1717	17.36	23	1.40	97	1505	15.16	23	1.60	116	1258	12.68	22	1.70	134	1089	10.98	22	1.80																													
40	2907	36.05	29	1.10			45	2579	32.60	29	1.15			53	2189	27.63	25	1.35	64	1813	22.65	25	1.55	71	1634	20.48	25	1.60	84	1381	17.36	24	1.70	96	1209	15.16	24	1.75	115	1009	12.68	24	1.90	133	872	10.98	23	2.00	98	1184	14.95	17	0.95	GS89 GSF89 GSA89 GSAF89	4P	53	3267	27.63			25	0.90	GS99 GSF99 GSA99 GSAF99	4P	118			983	12.40	17	1.15	135	860	10.78	17	1.30	72	2405	20.48	19	1.00	85	2037	17.36	21	1.15	97	1785	15.16	21	1.30	116	1493	12.68	21	1.50	134	1292	10.98	21	1.65	18.5kW							30kW							16	8425	94.48	15	0.80	GS109 GSF109 GSA109 GSAF109			4P	31	7734	47.61	12			0.85	GS109 GSF109 GSA109 GSAF109	4P	18	7145	80.13	15	0.90	21	6991	70.04	15	0.90	23	6383	65.10	15	1.00	25	5818	59.13	15	1.10	28	5217	52.46	14	1.15	31	4769	47.61	14	1.20	36	4159	40.92	14	1.25	41	3631	35.72	13	1.35	49	3101	30.29	13	1.40	56	2752	26.48	13	1.50	66	2327	22.39	12	1.55	41	3573			36.05	27	0.90	GS99 GSF99 GSA99 GSAF99	4P	36	6745	40.92	12	0.95	45	3231	32.60	27	0.95	53	2754	27.63	27	1.05	65	2246	22.65	27	1.20	72	2027	20.48	23	1.20	85	1717	17.36	23	1.40	97	1505	15.16	23	1.60	116	1258	12.68	22	1.70	134	1089	10.98	22	1.80																								
45	2579	32.60	29	1.15			53	2189	27.63	25	1.35			64	1813	22.65	25	1.55	71	1634	20.48	25	1.60	84	1381	17.36	24	1.70	96	1209	15.16	24	1.75	115	1009	12.68	24	1.90	133	872	10.98	23	2.00	98	1184	14.95	17	0.95	GS89 GSF89 GSA89 GSAF89	4P	53	3267	27.63			25	0.90	GS99 GSF99 GSA99 GSAF99			4P	118			983			12.40	17	1.15	135	860	10.78	17	1.30	72	2405	20.48	19	1.00	85	2037	17.36	21	1.15	97	1785	15.16	21	1.30	116	1493	12.68	21	1.50	134	1292	10.98	21	1.65	18.5kW							30kW							16	8425	94.48	15	0.80	GS109 GSF109 GSA109 GSAF109					4P	31	7734	47.61			12			0.85	GS109 GSF109 GSA109 GSAF109	4P	18	7145	80.13	15	0.90	21	6991	70.04	15	0.90	23	6383	65.10	15	1.00	25	5818	59.13	15	1.10	28	5217	52.46	14	1.15	31	4769	47.61	14	1.20	36	4159	40.92	14	1.25	41	3631	35.72	13	1.35	49	3101	30.29	13	1.40	56	2752	26.48	13	1.50	66	2327	22.39	12			1.55	41	3573			36.05	27	0.90	GS99 GSF99 GSA99 GSAF99	4P	36	6745	40.92	12	0.95	45	3231	32.60	27	0.95	53	2754	27.63	27	1.05	65	2246	22.65	27	1.20	72	2027	20.48	23	1.20	85	1717	17.36	23	1.40	97	1505	15.16	23	1.60	116	1258	12.68	22	1.70	134	1089	10.98	22	1.80																			
53	2189	27.63	25	1.35			64	1813	22.65	25	1.55			71	1634	20.48	25	1.60	84	1381	17.36	24	1.70	96	1209	15.16	24	1.75	115	1009	12.68	24	1.90	133	872	10.98	23	2.00	98	1184	14.95	17	0.95	GS89 GSF89 GSA89 GSAF89	4P	53	3267	27.63			25	0.90	GS99 GSF99 GSA99 GSAF99			4P	118					983			12.40			17	1.15	135	860	10.78	17	1.30	72	2405	20.48	19	1.00	85	2037	17.36	21	1.15	97	1785	15.16	21	1.30	116	1493	12.68	21	1.50	134	1292	10.98	21	1.65	18.5kW							30kW							16	8425	94.48	15	0.80	GS109 GSF109 GSA109 GSAF109							4P	31	7734			47.61			12			0.85	GS109 GSF109 GSA109 GSAF109	4P	18	7145	80.13	15	0.90	21	6991	70.04	15	0.90	23	6383	65.10	15	1.00	25	5818	59.13	15	1.10	28	5217	52.46	14	1.15	31	4769	47.61	14	1.20	36	4159	40.92	14	1.25	41	3631	35.72	13	1.35	49	3101	30.29	13	1.40	56	2752	26.48	13	1.50	66			2327	22.39	12			1.55	41	3573			36.05	27	0.90	GS99 GSF99 GSA99 GSAF99	4P	36	6745	40.92	12	0.95	45	3231	32.60	27	0.95	53	2754	27.63	27	1.05	65	2246	22.65	27	1.20	72	2027	20.48	23	1.20	85	1717	17.36	23	1.40	97	1505	15.16	23	1.60	116	1258	12.68	22	1.70	134	1089	10.98	22	1.80														
64	1813	22.65	25	1.55			71	1634	20.48	25	1.60			84	1381	17.36	24	1.70	96	1209	15.16	24	1.75	115	1009	12.68	24	1.90	133	872	10.98	23	2.00	98	1184	14.95	17	0.95	GS89 GSF89 GSA89 GSAF89	4P	53	3267	27.63			25	0.90	GS99 GSF99 GSA99 GSAF99			4P	118					983					12.40			17			1.15	135	860	10.78	17	1.30	72	2405	20.48	19	1.00	85	2037	17.36	21	1.15	97	1785	15.16	21	1.30	116	1493	12.68	21	1.50	134	1292	10.98	21	1.65	18.5kW							30kW							16	8425	94.48	15	0.80	GS109 GSF109 GSA109 GSAF109									4P	31			7734			47.61			12			0.85	GS109 GSF109 GSA109 GSAF109	4P	18	7145	80.13	15	0.90	21	6991	70.04	15	0.90	23	6383	65.10	15	1.00	25	5818	59.13	15	1.10	28	5217	52.46	14	1.15	31	4769	47.61	14	1.20	36	4159	40.92	14	1.25	41	3631	35.72	13	1.35	49	3101	30.29	13	1.40	56	2752	26.48			13	1.50	66			2327	22.39	12			1.55	41	3573			36.05	27	0.90	GS99 GSF99 GSA99 GSAF99	4P	36	6745	40.92	12	0.95	45	3231	32.60	27	0.95	53	2754	27.63	27	1.05	65	2246	22.65	27	1.20	72	2027	20.48	23	1.20	85	1717	17.36	23	1.40	97	1505	15.16	23	1.60	116	1258	12.68	22	1.70	134	1089	10.98	22	1.80									
71	1634	20.48	25	1.60			84	1381	17.36	24	1.70			96	1209	15.16	24	1.75	115	1009	12.68	24	1.90	133	872	10.98	23	2.00	98	1184	14.95	17	0.95	GS89 GSF89 GSA89 GSAF89	4P	53	3267	27.63			25	0.90	GS99 GSF99 GSA99 GSAF99			4P	118					983					12.40					17			1.15			135	860	10.78	17	1.30	72	2405	20.48	19	1.00	85	2037	17.36	21	1.15	97	1785	15.16	21	1.30	116	1493	12.68	21	1.50	134	1292	10.98	21	1.65	18.5kW							30kW							16	8425	94.48	15	0.80	GS109 GSF109 GSA109 GSAF109											4P			31			7734			47.61			12			0.85	GS109 GSF109 GSA109 GSAF109	4P	18	7145	80.13	15	0.90	21	6991	70.04	15	0.90	23	6383	65.10	15	1.00	25	5818	59.13	15	1.10	28	5217	52.46	14	1.15	31	4769	47.61	14	1.20	36	4159	40.92	14	1.25	41	3631	35.72	13	1.35	49	3101	30.29	13	1.40			56	2752	26.48			13	1.50	66			2327	22.39	12			1.55	41	3573			36.05	27	0.90	GS99 GSF99 GSA99 GSAF99	4P	36	6745	40.92	12	0.95	45	3231	32.60	27	0.95	53	2754	27.63	27	1.05	65	2246	22.65	27	1.20	72	2027	20.48	23	1.20	85	1717	17.36	23	1.40	97	1505	15.16	23	1.60	116	1258	12.68	22	1.70	134	1089	10.98	22	1.80				
84	1381	17.36	24	1.70			96	1209	15.16	24	1.75			115	1009	12.68	24	1.90	133	872	10.98	23	2.00	98	1184	14.95	17	0.95	GS89 GSF89 GSA89 GSAF89	4P	53	3267	27.63			25	0.90	GS99 GSF99 GSA99 GSAF99			4P	118					983					12.40					17		1.15	135		860			10.78			17	1.30	72	2405	20.48	19	1.00	85	2037	17.36	21	1.15	97	1785	15.16	21	1.30	116	1493	12.68	21	1.50	134	1292	10.98	21	1.65	18.5kW							30kW							16	8425	94.48	15	0.80	GS109 GSF109 GSA109 GSAF109	4P	31															7734			47.61			12			0.85			GS109 GSF109 GSA109 GSAF109			4P	18	7145	80.13	15	0.90	21	6991	70.04	15	0.90	23	6383	65.10	15	1.00	25	5818	59.13	15	1.10	28	5217	52.46	14	1.15	31	4769	47.61	14	1.20	36	4159	40.92	14	1.25	41	3631	35.72	13	1.35	49	3101	30.29	13			1.40	56	2752			26.48	13	1.50			66	2327	22.39			12	1.55	41			3573	36.05	27			0.90	GS99 GSF99 GSA99 GSAF99	4P	36	6745	40.92	12	0.95	45	3231	32.60	27	0.95	53	2754	27.63	27	1.05	65	2246	22.65	27	1.20	72	2027	20.48	23	1.20	85	1717	17.36	23	1.40	97	1505	15.16	23	1.60	116	1258	12.68	22	1.70	134	1089	10.98	22	1.80	
96	1209	15.16	24	1.75			115	1009	12.68	24	1.90			133	872	10.98	23	2.00	98	1184	14.95	17	0.95	GS89 GSF89 GSA89 GSAF89	4P	53	3267	27.63			25	0.90	GS99 GSF99 GSA99 GSAF99			4P	118					983					12.40					17		1.15	135		860		10.78	17		1.30			72			2405	20.48	19	1.00	85	2037	17.36	21	1.15	97	1785	15.16	21	1.30	116	1493	12.68	21	1.50	134	1292	10.98	21	1.65	18.5kW							30kW							16	8425	94.48	15	0.80	GS109 GSF109 GSA109 GSAF109	4P	31			7734															47.61			12			0.85			GS109 GSF109 GSA109 GSAF109							4P	18	7145	80.13	15	0.90	21	6991	70.04	15	0.90	23	6383	65.10	15	1.00	25	5818	59.13	15	1.10	28	5217	52.46	14	1.15	31	4769	47.61	14	1.20	36	4159	40.92	14	1.25	41	3631	35.72	13	1.35	49	3101	30.29			13	1.40	56			2752	26.48	13			1.50	66	2327			22.39	12	1.55			41	3573	36.05			27			0.90	GS99 GSF99 GSA99 GSAF99	4P	36	6745	40.92	12	0.95	45	3231	32.60	27	0.95	53	2754	27.63	27	1.05	65	2246	22.65	27	1.20	72	2027	20.48	23	1.20	85	1717	17.36	23	1.40	97	1505	15.16	23	1.60	116	1258	12.68	22	1.70	134	1089	10.98
115	1009	12.68	24	1.90			133	872	10.98	23	2.00			98	1184	14.95	17	0.95	GS89 GSF89 GSA89 GSAF89	4P	53	3267	27.63			25	0.90	GS99 GSF99 GSA99 GSAF99			4P	118					983					12.40					17		1.15	135		860		10.78	17		1.30		72	2405		20.48			19			1.00	85	2037	17.36	21	1.15	97	1785	15.16	21	1.30	116	1493	12.68	21	1.50	134	1292	10.98	21	1.65	18.5kW							30kW							16	8425	94.48	15	0.80	GS109 GSF109 GSA109 GSAF109	4P	31			7734			47.61															12			0.85			GS109 GSF109 GSA109 GSAF109											4P	18	7145	80.13	15	0.90	21	6991	70.04	15	0.90	23	6383	65.10	15	1.00	25	5818	59.13	15	1.10	28	5217	52.46	14	1.15	31	4769	47.61	14	1.20	36	4159	40.92	14	1.25	41	3631	35.72	13	1.35	49	3101			30.29	13	1.40			56	2752	26.48			13	1.50	66			2327	22.39	12			1.55	41	3573			36.05			27			0.90	GS99 GSF99 GSA99 GSAF99	4P	36	6745	40.92	12	0.95	45	3231	32.60	27	0.95	53	2754	27.63	27	1.05	65	2246	22.65	27	1.20	72	2027	20.48	23	1.20	85	1717	17.36	23	1.40	97	1505	15.16	23	1.60	116	1258	12.68	22	1.70
133	872	10.98	23	2.00	98	1184	14.95	17	0.95	GS89 GSF89 GSA89 GSAF89	4P	53	3267	27.63	25	0.90	GS99 GSF99 GSA99 GSAF99	4P			118	983	12.40			17	1.15					135					860					10.78		17	1.30		72		2405	20.48		19		1.00	85		2037		17.36	21		1.15			97			1785	15.16	21	1.30	116	1493	12.68	21	1.50	134	1292	10.98	21	1.65	18.5kW							30kW							16	8425	94.48	15	0.80	GS109 GSF109 GSA109 GSAF109	4P	31	7734	47.61	12	0.85			GS109 GSF109 GSA109 GSAF109			4P			18															7145			80.13															15	0.90	21	6991	70.04	15	0.90	23	6383	65.10	15	1.00	25	5818	59.13	15	1.10	28	5217	52.46	14	1.15	31	4769	47.61	14	1.20	36	4159	40.92	14	1.25	41	3631	35.72	13	1.35	49	3101	30.29	13	1.40	56	2752	26.48	13	1.50			66	2327	22.39			12	1.55	41			3573	36.05	27			0.90	GS99 GSF99 GSA99 GSAF99	4P			36			6745			40.92			12	0.95	45	3231	32.60	27	0.95	53	2754	27.63	27	1.05	65	2246	22.65	27	1.20	72	2027	20.48	23	1.20	85	1717	17.36	23	1.40	97	1505	15.16	23	1.60	116	1258	12.68	22	1.70	134	1089	10.98
98	1184	14.95	17	0.95	GS89 GSF89 GSA89 GSAF89	4P	53	3267	27.63			25	0.90	GS99 GSF99 GSA99 GSAF99	4P																																																																																																																																																																																																																																																											
118	983	12.40	17	1.15			135	860	10.78			17	1.30			72					2405	20.48	19			1.00	85					2037		17.36	21		1.15		97	1785		15.16		21	1.30		116		1493	12.68		21		1.50	134		1292		10.98	21		1.65	18.5kW							30kW							16	8425	94.48	15	0.80	GS109 GSF109 GSA109 GSAF109	4P	31	7734	47.61	12	0.85	GS109 GSF109 GSA109 GSAF109	4P	18	7145	80.13	15	0.90	21	6991	70.04	15	0.90			23	6383	65.10	15	1.00									25					5818	59.13	15	1.10					28	5217	52.46	14	1.15	31															4769	47.61	14	1.20	36	4159	40.92	14	1.25	41	3631	35.72	13	1.35	49	3101	30.29	13	1.40	56	2752	26.48	13	1.50	66	2327	22.39	12	1.55	41	3573	36.05	27	0.90	GS99 GSF99 GSA99 GSAF99	4P	36	6745	40.92	12	0.95	45	3231	32.60	27	0.95	53	2754	27.63	27	1.05	65	2246	22.65	27	1.20	72			2027	20.48	23			1.20					85			1717			17.36			23	1.40	97	1505	15.16	23	1.60	116	1258	12.68	22	1.70	134	1089	10.98	22	1.80																							
135	860	10.78	17	1.30			72	2405	20.48			19	1.00			85					2037	17.36	21			1.15	97		1785	15.16		21		1.30	116		1493		12.68	21		1.50		134	1292		10.98		21	1.65		18.5kW							30kW							16	8425	94.48	15	0.80	GS109 GSF109 GSA109 GSAF109	4P	31	7734	47.61	12	0.85	GS109 GSF109 GSA109 GSAF109	4P	18	7145			80.13	15	0.90	21	6991			70.04	15	0.90	23	6383	65.10	15	1.00	25	5818			59.13	15	1.10	28	5217									52.46				14	1.15	31	4769	47.61	14				1.20	36	4159	40.92	14	1.25	41	3631													35.72	13	1.35	49	3101	30.29	13	1.40	56	2752	26.48	13	1.50	66	2327	22.39	12	1.55	41	3573	36.05	27	0.90	GS99 GSF99 GSA99 GSAF99	4P	36	6745	40.92	12	0.95	45	3231	32.60	27			0.95	53	2754	27.63	27	1.05	65	2246	22.65	27	1.20	72	2027	20.48	23	1.20	85	1717	17.36	23	1.40	97	1505	15.16	23	1.60			116					1258			12.68			22			1.70	134	1089	10.98	22	1.80																																		
72	2405	20.48	19	1.00			85	2037	17.36			21	1.15			97					1785	15.16	21	1.30	116	1493	12.68		21	1.50		134		1292	10.98		21		1.65	18.5kW							30kW							16	8425	94.48	15	0.80	GS109 GSF109 GSA109 GSAF109	4P	31	7734	47.61	12	0.85	GS109 GSF109 GSA109 GSAF109	4P	18	7145	80.13			15	0.90	21	6991	70.04			15	0.90			23	6383	65.10	15	1.00			25	5818	59.13	15	1.10	28	5217	52.46	14	1.15			31	4769	47.61	14	1.20									36			4159	40.92	14	1.25	41	3631	35.72	13			1.35	49	3101	30.29	13	1.40	56	2752		26.48	13										1.50	66	2327	22.39	12	1.55	41	3573	36.05	27	0.90	GS99 GSF99 GSA99 GSAF99	4P	36	6745	40.92	12	0.95	45	3231	32.60	27	0.95			53	2754	27.63	27	1.05	65	2246	22.65	27			1.20	72	2027	20.48	23	1.20	85	1717	17.36	23	1.40	97	1505	15.16	23	1.60	116	1258	12.68	22	1.70	134	1089	10.98	22	1.80																																																								
85	2037	17.36	21	1.15			97	1785	15.16			21	1.30			116			1493	12.68	21	1.50	134	1292	10.98	21	1.65		18.5kW								30kW							16	8425		94.48	15	0.80	GS109 GSF109 GSA109 GSAF109	4P	31	7734	47.61	12	0.85	GS109 GSF109 GSA109 GSAF109	4P			18	7145	80.13	15	0.90			21	6991	70.04			15	0.90	23	6383	65.10			15	1.00			25	5818	59.13	15	1.10			28	5217	52.46	14	1.15	31	4769	47.61	14	1.20			36	4159	40.92	14	1.25									41		3631	35.72	13	1.35	49	3101	30.29	13	1.40	56		2752	26.48	13	1.50	66	2327	22.39	12		1.55	41		3573	36.05							27	0.90	GS99 GSF99 GSA99 GSAF99	4P	36	6745	40.92	12	0.95	45	3231			32.60	27	0.95	53	2754	27.63	27	1.05	65	2246			22.65	27	1.20	72	2027	20.48	23	1.20	85			1717	17.36	23	1.40	97	1505	15.16	23	1.60	116	1258	12.68	22	1.70	134	1089	10.98	22	1.80																																																															
97	1785	15.16	21	1.30			116	1493	12.68	21	1.50	134	1292			10.98			21	1.65	18.5kW								30kW								16		8425	94.48		15	0.80	GS109 GSF109 GSA109 GSAF109	4P	31	7734	47.61	12			0.85	GS109 GSF109 GSA109 GSAF109	4P	18	7145					80.13	15	0.90	21	6991			70.04	15	0.90			23	6383	65.10	15	1.00			25	5818			59.13	15	1.10	28	5217			52.46	14	1.15	31	4769	47.61	14	1.20	36	4159			40.92	14	1.25	41	3631									35.72	13	1.35	49	3101	30.29	13	1.40	56	2752	26.48	13	1.50	66	2327	22.39	12	1.55	41	3573	36.05		27	0.90		GS99 GSF99 GSA99 GSAF99	4P		36	6745				40.92	12			0.95	45	3231	32.60	27	0.95	53			2754	27.63	27	1.05	65	2246	22.65	27	1.20	72			2027	20.48	23	1.20	85	1717	17.36	23	1.40			97	1505	15.16	23	1.60	116	1258	12.68	22	1.70	134	1089	10.98	22	1.80																																																																			
116	1493	12.68	21	1.50	134	1292	10.98	21	1.65	18.5kW									30kW							16	8425		94.48	15		0.80		GS109 GSF109 GSA109 GSAF109	4P		31	7734	47.61	12	0.85	GS109 GSF109 GSA109 GSAF109	4P			18	7145	80.13	15			0.90			21	6991					70.04	15	0.90	23	6383			65.10	15	1.00			25	5818	59.13	15	1.10			28	5217			52.46	14	1.15	31	4769			47.61	14	1.20	36	4159	40.92	14	1.25	41	3631			35.72	13	1.35	49	3101							30.29	13	1.40	56	2752	26.48	13	1.50	66	2327	22.39	12	1.55	41	3573	36.05	27	0.90	GS99 GSF99 GSA99 GSAF99	4P	36	6745	40.92		12	0.95				45	3231	32.60	27			0.95	53			2754	27.63	27	1.05	65	2246	22.65			27	1.20	72	2027	20.48	23	1.20	85	1717	17.36			23	1.40	97	1505	15.16	23	1.60	116	1258			12.68	22	1.70	134	1089	10.98	22	1.80																																																																										
134	1292	10.98	21	1.65	18.5kW							30kW							16	8425	94.48	15	0.80	GS109 GSF109 GSA109 GSAF109	4P	31	7734		47.61	12		0.85	GS109 GSF109 GSA109 GSAF109			4P	18	7145	80.13	15	0.90					21	6991	70.04	15			0.90			23	6383					65.10	15	1.00	25	5818			59.13	15	1.10			28	5217	52.46	14	1.15			31	4769			47.61	14	1.20	36	4159			40.92	14	1.25	41	3631	35.72	13	1.35	49	3101			30.29	13	1.40	56	2752				26.48	13		1.50	66	2327	22.39	12	1.55	41	3573	36.05	27	0.90	GS99 GSF99 GSA99 GSAF99	4P	36	6745	40.92	12	0.95			45	3231	32.60		27	0.95	53			2754	27.63	27	1.05	65		2246	22.65			27	1.20	72	2027	20.48	23	1.20			85	1717	17.36	23	1.40	97	1505	15.16	23	1.60			116	1258	12.68	22	1.70	134	1089	10.98	22			1.80																																																																																	
18.5kW							30kW																																																																																																																																																																																																																																																																			
16	8425	94.48	15	0.80	GS109 GSF109 GSA109 GSAF109	4P	31	7734	47.61	12	0.85	GS109 GSF109 GSA109 GSAF109	4P																																																																																																																																																																																																																																																													
18	7145	80.13	15	0.90			21	6991	70.04	15	0.90			23	6383	65.10	15	1.00	25	5818	59.13	15	1.10			28	5217	52.46	14	1.15	31	4769					47.61	14	1.20	36	4159					40.92	14	1.25	41			3631			35.72	13					1.35	49	3101	30.29	13			1.40	56	2752			26.48	13	1.50	66	2327			22.39	12			1.55	41	3573	36.05	27			0.90	GS99 GSF99 GSA99 GSAF99	4P	36	6745	40.92	12	0.95	45	3231	32.60	27	0.95	53	2754	27.63	27	1.05	65	2246	22.65	27	1.20	72	2027	20.48	23	1.20	85	1717	17.36	23	1.40	97			1505	15.16	23	1.60	116			1258	12.68	22	1.70	134	1089	10.98			22	1.80																																																																																																																										
21	6991	70.04	15	0.90			23	6383	65.10	15	1.00			25	5818	59.13	15	1.10	28	5217	52.46	14	1.15			31	4769	47.61	14	1.20	36	4159					40.92	14	1.25	41	3631					35.72	13	1.35	49			3101			30.29	13					1.40	56	2752	26.48	13			1.50	66	2327			22.39	12	1.55	41	3573			36.05	27	0.90	GS99 GSF99 GSA99 GSAF99	4P	36	6745	40.92	12	0.95	45	3231			32.60	27	0.95	53	2754	27.63	27	1.05	65	2246	22.65	27	1.20	72	2027	20.48	23	1.20	85	1717	17.36	23	1.40	97	1505	15.16	23	1.60	116	1258	12.68			22	1.70	134	1089	10.98			22	1.80																																																																																																																																			
23	6383	65.10	15	1.00			25	5818	59.13	15	1.10			28	5217	52.46	14	1.15	31	4769	47.61	14	1.20			36	4159	40.92	14	1.25	41	3631					35.72	13	1.35	49	3101					30.29	13	1.40	56			2752			26.48	13					1.50	66	2327	22.39	12			1.55	41	3573	36.05	27	0.90	GS99 GSF99 GSA99 GSAF99	4P	36	6745	40.92	12	0.95	45	3231			32.60	27	0.95	53	2754	27.63	27			1.05	65	2246	22.65	27	1.20	72	2027	20.48	23	1.20	85	1717	17.36	23	1.40	97	1505	15.16	23	1.60	116	1258	12.68	22	1.70	134	1089	10.98	22	1.80																																																																																																																																														
25	5818	59.13	15	1.10			28	5217	52.46	14	1.15			31	4769	47.61	14	1.20	36	4159	40.92	14	1.25			41	3631	35.72	13	1.35	49	3101					30.29	13	1.40	56	2752					26.48	13	1.50	66			2327			22.39	12			1.55	41	3573	36.05	27	0.90	GS99 GSF99 GSA99 GSAF99	4P	36	6745	40.92	12	0.95	45	3231			32.60	27	0.95	53	2754	27.63	27			1.05	65	2246	22.65	27	1.20	72			2027	20.48	23	1.20	85	1717	17.36	23	1.40	97	1505	15.16	23	1.60	116	1258	12.68	22	1.70	134	1089	10.98	22	1.80																																																																																																																																																					
28	5217	52.46	14	1.15			31	4769	47.61	14	1.20			36	4159	40.92	14	1.25	41	3631	35.72	13	1.35			49	3101	30.29	13	1.40	56	2752					26.48	13	1.50	66	2327					22.39	12	1.55	41	3573	36.05	27			0.90	GS99 GSF99 GSA99 GSAF99	4P	36	6745	40.92	12	0.95	45	3231			32.60	27	0.95	53	2754	27.63	27			1.05	65	2246	22.65	27	1.20	72			2027	20.48	23	1.20	85	1717	17.36			23	1.40	97	1505	15.16	23	1.60	116	1258	12.68	22	1.70	134	1089	10.98	22	1.80																																																																																																																																																												
31	4769	47.61	14	1.20			36	4159	40.92	14	1.25			41	3631	35.72	13	1.35	49	3101	30.29	13	1.40			56	2752	26.48	13	1.50	66	2327					22.39	12	1.55	41	3573			36.05	27	0.90	GS99 GSF99 GSA99 GSAF99	4P	36	6745	40.92	12	0.95	45	3231			32.60	27	0.95	53	2754	27.63	27			1.05	65	2246	22.65	27	1.20	72			2027	20.48	23	1.20	85	1717	17.36			23	1.40	97	1505	15.16	23	1.60			116	1258	12.68	22	1.70	134	1089	10.98	22	1.80																																																																																																																																																																			
36	4159	40.92	14	1.25			41	3631	35.72	13	1.35			49	3101	30.29	13	1.40	56	2752	26.48	13	1.50			66	2327	22.39	12	1.55	41	3573		36.05	27		0.90	GS99 GSF99 GSA99 GSAF99	4P	36	6745	40.92	12	0.95	45	3231			32.60	27	0.95	53	2754	27.63	27			1.05	65	2246	22.65	27	1.20	72			2027	20.48	23	1.20	85	1717	17.36			23	1.40	97	1505	15.16	23	1.60			116	1258	12.68	22	1.70	134	1089			10.98	22	1.80																																																																																																																																																																										
41	3631	35.72	13	1.35			49	3101	30.29	13	1.40			56	2752	26.48	13	1.50	66	2327	22.39	12	1.55	41	3573	36.05	27	0.90	GS99 GSF99 GSA99 GSAF99	4P	36	6745	40.92	12	0.95	45	3231			32.60	27	0.95	53	2754	27.63	27			1.05	65	2246	22.65	27	1.20	72			2027	20.48	23	1.20	85	1717	17.36			23	1.40	97	1505	15.16	23	1.60			116	1258	12.68	22	1.70	134	1089			10.98	22	1.80																																																																																																																																																																																			
49	3101	30.29	13	1.40			56	2752	26.48	13	1.50			66	2327	22.39	12	1.55	41	3573	36.05	27	0.90	GS99 GSF99 GSA99 GSAF99	4P	36	6745	40.92			12	0.95	45	3231	32.60	27	0.95			53	2754	27.63	27	1.05	65	2246			22.65	27	1.20	72	2027	20.48	23			1.20	85	1717	17.36	23	1.40	97			1505	15.16	23	1.60	116	1258	12.68			22	1.70	134	1089	10.98	22	1.80																																																																																																																																																																																								
56	2752	26.48	13	1.50	66	2327	22.39	12	1.55	41	3573	36.05	27	0.90	GS99 GSF99 GSA99 GSAF99	4P	36	6745	40.92	12	0.95	45	3231			32.60	27	0.95			53	2754	27.63	27	1.05	65	2246			22.65	27	1.20	72	2027	20.48	23			1.20	85	1717	17.36	23	1.40	97			1505	15.16	23	1.60	116	1258	12.68			22	1.70	134	1089	10.98	22	1.80																																																																																																																																																																																																	
66	2327	22.39	12	1.55	41	3573	36.05	27	0.90	GS99 GSF99 GSA99 GSAF99	4P	36	6745	40.92			12	0.95	45	3231	32.60	27	0.95			53	2754	27.63			27	1.05	65	2246	22.65	27	1.20			72	2027	20.48	23	1.20	85	1717			17.36	23	1.40	97	1505	15.16	23			1.60	116	1258	12.68	22	1.70	134			1089	10.98	22	1.80																																																																																																																																																																																																				
41	3573	36.05	27	0.90	GS99 GSF99 GSA99 GSAF99	4P	36	6745	40.92			12	0.95																																																																																																																																																																																																																																																													
45	3231	32.60	27	0.95			53	2754	27.63			27	1.05	65			2246	22.65	27	1.20	72	2027	20.48			23	1.20	85			1717	17.36	23	1.40	97	1505	15.16			23	1.60	116	1258	12.68	22	1.70			134	1089	10.98	22	1.80																																																																																																																																																																																																																					
53	2754	27.63	27	1.05			65	2246	22.65			27	1.20	72			2027	20.48	23	1.20	85	1717	17.36			23	1.40	97			1505	15.16	23	1.60	116	1258	12.68			22	1.70	134	1089	10.98	22	1.80																																																																																																																																																																																																																												
65	2246	22.65	27	1.20			72	2027	20.48			23	1.20	85			1717	17.36	23	1.40	97	1505	15.16			23	1.60	116			1258	12.68	22	1.70	134	1089	10.98			22	1.80																																																																																																																																																																																																																																	
72	2027	20.48	23	1.20			85	1717	17.36			23	1.40	97			1505	15.16	23	1.60	116	1258	12.68			22	1.70	134			1089	10.98	22	1.80																																																																																																																																																																																																																																								
85	1717	17.36	23	1.40			97	1505	15.16			23	1.60	116			1258	12.68	22	1.70	134	1089	10.98			22	1.80																																																																																																																																																																																																																																															
97	1505	15.16	23	1.60			116	1258	12.68			22	1.70	134			1089	10.98	22	1.80																																																																																																																																																																																																																																																						
116	1258	12.68	22	1.70			134	1089	10.98			22	1.80																																																																																																																																																																																																																																																													
134	1089	10.98	22	1.80																																																																																																																																																																																																																																																																						

选型参数表
(恒转矩)
Selection Table
(Constant Torque)

M_{amax} [N.m]	n_a [r/min]	i	F_{Ra} [kN]	机型号 Type size	P [kW]/4P	M_{amax} [N.m]	n_a [r/min]	i	F_{Ra} [kN]	机型号 Type size	P [kW]/4P			
87	0.13	10037	2.8	GS39R19 GSF39R19 GSA39R19 GSAF39R19	0.12	170	1.4	965	5.0	GS49R19 GSF49R19 GSA49R19 GSAF49R19	0.12			
	0.15	8654	2.8				1.5	865	5.0					
	0.16	8066	2.8				1.7	750	5.0					
	0.19	7051	2.8				2.0	655	5.0					
	0.22	6079	2.8				2.3	574	5.0					
	0.24	5431	2.8				2.6	506	5.0					
	0.28	4747	2.8				3.0	438	5.0					
	0.32	4155	2.8				3.4	388	4.9	GS49R19 GSF49R19 GSA49R19 GSAF49R19	0.18			
	0.36	3632	2.8				3.9	336	4.9					
	0.46	2866	2.8				4.5	294	4.9					
	0.53	2471	2.8				5.2	257	4.9	GS49R19 GSF49R19 GSA49R19 GSAF49R19	0.25			
	0.61	2160	2.8				5.8	229	4.9					
	0.69	1887	2.8				6.7	200	4.9					
	0.79	1665	2.8				7.1	187	4.9					
	0.9	1456	2.8				8.1	165	4.9					
	1	1271	2.8				9.0	148	4.9	GS49R19 GSF49R19 GSA49R19 GSAF49R19	0.37			
	1.2	1121	2.8				10	131	4.9					
	1.3	994	2.8				GS39R19 GSF39R19 GSA39R19 GSAF39R19	0.12	300	0.10	12909	6.7	GS59R19 GSF59R19 GSA59R19 GSAF59R19	0.12
	1.5	869	2.8							0.12	11189	6.7		
	1.7	774	2.8							0.13	10374	6.7		
2	666	2.8	0.15	8992	6.7									
2.2	596	2.8	0.17	7860	6.7									
2.5	521	2.8	0.19	6887	6.7									
2.9	456	2.8	0.22	6055	6.7									
3.3	398	2.8	0.25	5292	6.7									
3.7	351	2.8	0.28	4637	6.7									
4.3	303	2.8	0.32	4092	6.7									
4.9	265	2.8	0.36	3628	6.7									
5.6	232	2.8	0.42	3131	6.7	GS59R19 GSF59R19 GSA59R19 GSAF59R19				0.12				
6.5	202	2.8	0.48	2714	6.7									
7.3	179	2.8	0.54	2412	6.7									
8.3	158	2.8	0.61	2131	6.7									
9.1	144	2.8	0.70	1863	6.7									
11	118	2.8	0.79	1663	6.7									
170	0.1	12909	5	GS49R19 GSF49R19 GSA49R19 GSAF49R19	0.12	1.0	1254	6.7	GS59R19 GSF59R19 GSA59R19 GSAF59R19	0.12				
	0.12	11189	5			1.2	1083	6.7						
	0.13	10374	5			1.4	965	6.7						
	0.15	8992	5			1.5	865	6.7						
	0.17	7860	5			1.7	750	6.7						
	0.19	6887	5			2.0	655	6.7						
	0.22	6055	5			2.3	574	6.7	GS59R19 GSF59R19 GSA59R19 GSAF59R19	0.18				
	0.25	5292	5			2.6	506	6.7						
	0.28	4637	5			3.0	438	6.7						
	0.32	4092	5			3.4	388	6.7						
	0.37	3582	5			4.0	336	6.7						
	0.42	3131	5			4.5	294	6.7	GS59R19 GSF59R19 GSA59R19 GSAF59R19	0.25				
	0.48	2714	5			4.9	269	6.7						
	0.54	2412	5			5.8	229	6.7						
	0.61	2131	5			6.5	204	6.7	GS59R19 GSF59R19 GSA59R19 GSAF59R19	0.37				
	0.7	1863	5			7.1	187	6.7						
	0.79	1663	5			8.1	165	6.7						
	0.91	1435	5			10	131	6.7	GS59R19 GSF59R19 GSA59R19 GSAF59R19	0.55				
	1	1254	5											
	1.2	1120	5											
1.2	1083	5												

选型参数表
(恒转矩)
Selection Table
(Constant Torque)

M_{amax} [N.m]	n_a [r/min]	i	F_{Ra} [kN]	机型号 Type size	P [kW]/4P	M_{amax} [N.m]	n_a [r/min]	i	F_{Ra} [kN]	机型号 Type size	P [kW]/4P
520	0.06	21362	7.8		0.12	1220	0.13	9887	11		0.12
	0.07	19594	7.8				0.15	8817	11		
	0.07	18120	7.8				0.17	7735	11		
	0.08	16682	7.8				0.19	6735	11	GS79R39	
	0.09	14383	7.8	GS69R39			0.22	5943	11	GSF79R39	
	0.1	12774	7.8	GSF69R39			0.25	5214	11	GSA79R39	
	0.12	11013	7.8	GSA69R39			0.28	4618	11	GSAF79R39	
	0.14	9694	7.8	GSAF69R39			0.33	3992	11		
	0.15	8529	7.8				0.37	3540	11		
	0.18	7455	7.8							GS79R39	
	0.2	6531	7.8				0.42	3098	11	GSF79R39	
	0.23	5759	7.8							GSA79R39	
	0.26	4965	7.8							GSAF79R39	
	0.3	4410	7.8						GS79R39		
	0.34	3880	7.8		0.48		2753	11	GSF79R39		
	0.38	3432	7.8		0.55		2374	11	GSA79R39		
	0.44	2944	7.8	GS69R39					GSAF79R39		
	0.5	2630	7.8	GSF69R39	0.12		0.63	2083	11	GS79R39	
	0.57	2279	7.8	GSA69R39			0.72	1813	11	GSF79R39	
	0.65	2014	7.8	GSAF69R39			0.75	1745	11	GSA79R39	
	0.74	1772	7.8				0.82	1600	11	GSAF79R39	
	0.84	1559	7.8							GS79R39	
	0.96	1363	7.8				0.95	1404	11	GSF79R39	
1.1	1194	7.8		1.1		1245	11	GSA79R39			
								GSAF79R39			
1.3	1045	7.8	GS69R39					GS79R39			
1.4	914	7.8	GSF69R39	0.18		1.2	1100	11	GSF79R39		
			GSA69R39					GSA79R39			
			GSAF69R39				GSAF79R39				
1.6	809	7.8	GS69R39	0.18	1.4	954	11	GS79R39			
1.8	712	7.8	GSF69R39		1.6	837	11	GSF79R39			
			GSA69R39		1.9	714	11	GSA79R39			
			GSAF69R39				GSAF79R39				
2.2	615	7.8	GS69R39	0.25	2.2	637	11	GS79R39			
2.4	543	7.8	GSF69R39		2.4	574	11	GSF79R39			
			GSA69R39		2.8	499	11	GSA79R39			
			GSAF69R39				GSAF79R39				
2.8	469	7.8	GS69R39	0.37	3.2	438	11	GS79R39			
3.1	424	7.8	GSF69R39		3.6	389	11	GSF79R39			
3.6	365	7.8	GSA69R39					GSA79R39			
			GSAF69R39				GSAF79R39				
4.4	319	7.8	GS69R39	0.55	4.3	327	11	GS79R39			
4.9	281	7.8	GSF69R39		4.8	289	11	GSF79R39			
5.7	246	7.8	GSA69R39		5.6	250	11	GSA79R39			
6.3	221	7.8	GSAF69R39		6.4	219	11	GSAF79R39			
8.3	168	7.8									
			GS69R39	0.75	2300	0.05	25987	26			
7	198	7.8	GSF69R39		0.05	23940	26				
			GSA69R39	0.06	20568	26					
			GSAF69R39	0.07	18265	26					
				0.08	16774	26	GS89R59				
1220	0.05	25493	11	GS79R39	0.09	14820	26	GSF89R59			
	0.06	21787	11	GSF79R39	0.10	13160	26	GSA89R59			
	0.07	19907	11	GSA79R39	0.12	11200	26	GSAF89R59			
	0.08	17013	11	GSAF79R39	0.13	9904	26				
	0.09	14668	11		0.15	8549	26				
	0.1	13110	11		0.17	7643	26				
	0.11	11569	11		0.20	6706	26				

选型参数表
(恒转矩)
Selection Table
(Constant Torque)

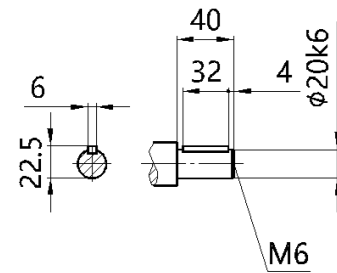
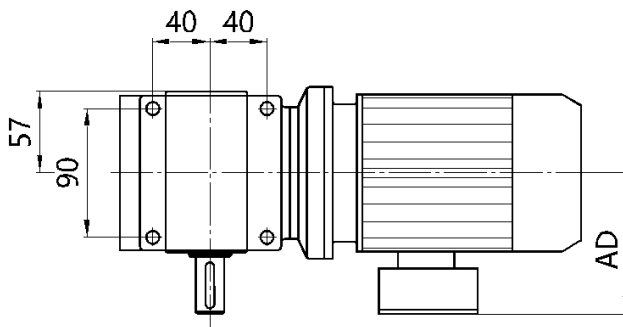
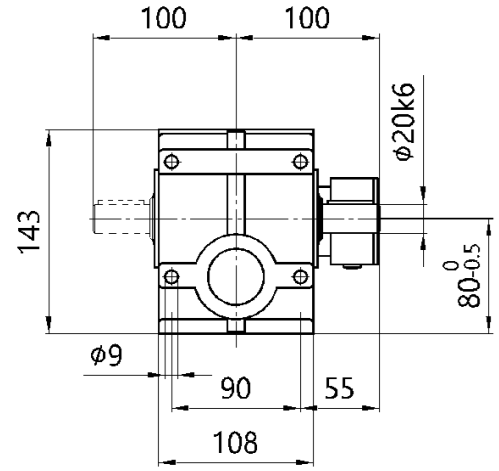
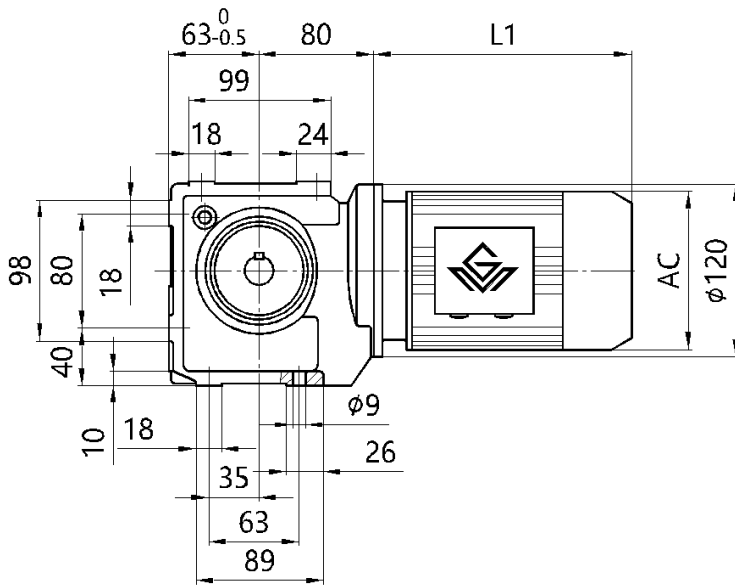
M_{amax} [N.m]	n_a [r/min]	i	F_{Ra} [kN]	机型号 Type size	P [kW]/4P	M_{amax} [N.m]	n_a [r/min]	i	F_{Ra} [kN]	机型号 Type size	P [kW]/4P	
2300	0.22	5875	26	GS89R59	0.18	4000	0.30	4444	30	GS99R59	0.25	
	0.25	5187	26	GSF89R59			0.33	4017	30	GSF99R59		
	0.28	4606	26	GSA89R59			0.39	3453	30	GSA99R59		
				GSAF89R59			0.43	3108	30	GSF99R59		
		0.34	3872	26	GS89R59		0.25	0.50	2654	30	GSF99R59	0.37
				GSF89R59	0.57			2329	30	GSA99R59		
				GSA89R59	0.67			2081	30	GSF99R59		
				GSAF89R59	0.75			1860	30	GSA99R59		
		0.38	3475	26	GS89R59		0.25	0.88	1574	30	GSF99R59	0.55
		0.46	2905	26	GSF89R59			1.0	1394	30	GSF99R59	
				GSA89R59	1.1			1223	30	GSA99R59		
				GSAF89R59	1.3			1070	30	GSA99R59		
		0.51	2586	26	GS89R59		0.37				GS99R59	0.75
		0.57	2335	26	GSF89R59			1.5	928	30	GSF99R59	
		0.65	2054	26	GSA89R59			1.7	824	30	GSA99R59	
				GSAF89R59	2.0			714	31	GSF99R59		
		0.76	1824	26	GS89R59		0.55	2.2	626	30	GSA99R59	1.5
		0.85	1631	26	GSF89R59			2.6	538	30	GSAF99R59	
		1.0	1332	26	GSA89R59			3.0	484	30	GS99R59	
		1.2	1191	26	GSAF89R59			3.4	420	30	GSF99R59	
		1.3	1032	26	GS89R59		0.75	3.8	376	30	GSA99R59	2.2
		1.5	930	26	GSF89R59			4.4	327	30	GSF99R59	
		1.7	831	26	GSA89R59			5.0	287	30	GSA99R59	
				GSAF89R59	5.7			252	30	GS99R59		
	1.9	719	26	GS89R59	1.1	6.6	219	30	GSF99R59	4		
	2.2	624	26	GSF89R59		7.0	205	30	GSA99R59			
	2.5	558	26	GSA89R59					GSAF99R59			
			GSAF89R59	6500		0.05	27093	40				
	2.9	485	26	GS89R59	1.5	0.06	23118	40		0.12		
			GSF89R59	0.06		20215	40		GS109R79			
			GSA89R59	0.07		18344	40		GSF109R79			
			GSAF89R59	0.08		15767	40		GSA109R79			
	3.2	435	26	GS89R59	1.5	0.10	12901	40		0.18		
	3.7	378	26	GSF89R59		0.11	11708	40				
	5.5	255	26	GSA89R59		0.06	20215	40			GS109R79	
	6.3	222	26	GSAF89R5		0.07	18344	40			GSF109R79	
	6.8	205	26	GSAF89R5	2.2	0.08	15767	40		0.25		
				GS89R59		0.10	12901	40			GSA109R79	
	4.4	323	26	GSF89R59		0.11	11708	40			GSF109R79	
	5.1	281	26	GSA89R59		0.12	10719	40			GSA109R79	
				GSAF89R59					GSAF109R79			
4000	0.04	33818	31		0.12	0.13	10078	31		0.18		
	0.04	31154	31			0.16	8360	40				
	0.05	27847	31			0.08	15767	40				
	0.05	24641	31			0.10	12901	40				
	0.06	21537	31	GS99R59		0.11	11708	40				
	0.07	18749	31	GSF99R59		0.12	10719	40				
	0.08	16233	31	GSA99R59		0.13	9727	40				
	0.09	14576	31	GSAF99R59		0.16	8360	40				
	0.10	12752	31			0.08	15767	40				
	0.12	11267	31			0.10	12901	40				
	0.13	10078	31			0.11	11708	40				
	0.15	8608	31	GS99R59		0.12	10719	40				
	0.17	7554	31	GSF99R59		0.14	9727	40				
	0.20	6640	30	GSA99R59		0.16	8360	40				
0.23	5780	30	GSAF99R59									
0.27	4937	30										

选型参数表
(恒转矩)
Selection Table
(Constant Torque)

M_{amax} [N.m]	n_a [r/min]	i	F_{Ra} [kN]	机型号 Type size	P [kW]/4P	M_{amax} [N.m]	n_a [r/min]	i	F_{Ra} [kN]	机型号 Type size	P [kW]/4P
6500	0.18	7226	40	GS109R79	0.25	6500	0.94	1521	40	GS109R79 GSF109R79 GSA109R79 GSAF109R79	2.2
	0.20	6557	40	GSF109R79			1.1	1327	40		
	0.23	5769	40	GSA109R79			1.3	1126	40		
				GSAF109R79			1.5	984	40		
	0.14	9727	40	GS109R79 GSF109R79 GSA109R79 GSAF109R79	0.37		1.7	864	40		
	0.16	8360	40				1.8	812	40		
	0.18	7226	40				2.1	688	40		
	0.20	6557	40				2.4	602	40		
	0.23	5769	40				1.3	1126	40		
	0.27	4958	40				1.5	984	40		
	0.31	4328	40				1.7	864	40		
							1.8	812	40		
	0.19	7226	40	GS109R79 GSF109R79 GSA109R79 GSAF109R79	0.55		2.1	688	40	3	
	0.21	6557	40				2.4	602	40		
	0.24	5769	40				2.6	544	40		
	0.28	4958	40				3.0	476	40		
	0.32	4328	40				3.5	409	40		
	0.43	3243	40				1.8	812	40		
	0.55	2530	40				2.1	688	40		
	0.24	5769	40	GS109R79 GSF109R79 GSA109R79 GSAF109R79	0.75		2.4	602	40	4	
	0.28	4958	40				2.6	544	40		
	0.32	4328	40				3.0	476	40		
	0.43	3243	40				3.5	409	40		
	0.55	2530	40				4.1	352	40		
	0.63	2208	40				4.7	307	40		
	0.71	1950	40	GS109R79 GSF109R79 GSA109R79 GSAF109R79	1.1		2.4	602	40	5.5	
	0.43	3243	40				2.6	544	40		
	0.55	2530	40				3.0	476	40		
0.63	2208	40	3.5			409	40				
0.72	1950	40	4.1			352	40				
0.79	1769	40	GS109R79 GSF109R79 GSA109R79 GSAF109R79	1.5	4.7	307	40				
0.92	1521	40			0.55	2530	40				
1.05	1327	40			0.63	2208	40				
					0.72	1950	40				
					0.79	1769	40				
					0.92	1521	40				
			1.1	1327	40						
			1.2	1126	40						
			1.4	984	40						

GS39
安装结构尺寸

GS39
Mounting Dimensional Description

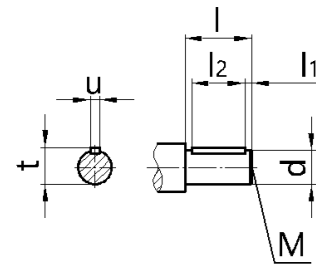
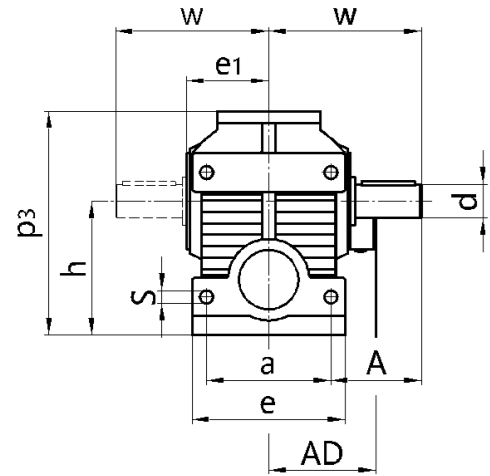
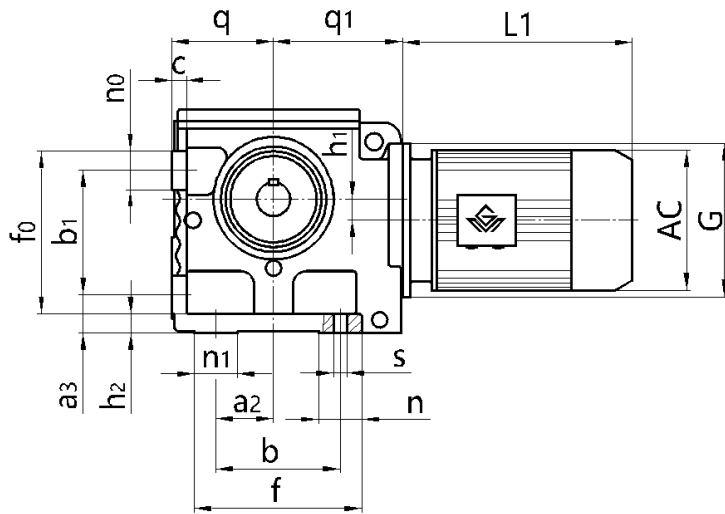


注： 1.电机需方配或配特殊电机时需加联接法兰（见附录 D）
 2.直联电机尺寸见附录 A-2 和 A-3

Note: 1. When equipping the user's motor or the special one, the flange is required to connected. (Please see appendix D)
 2. See Appendix A-2 and A-3 for dimensions of direct-connected motors

GS49-99
安装结构尺寸

GS49-99
Mounting Dimensional Description



机型号 Type Size	q d	q1 w	c A	f0 a	b1 e	n0 h	a3 p3	h1 e1	h2 u	n1 t	a2 l	s l1	n l2	b M	f G	电机尺寸 Motor Size			
																AC	AD	L1	
GS49	75 ^{-0.5} Φ25k6	96 115	12 65	105 100	80 120	25 100 ^{-0.5}	35 167	8 60	15 8	30 28	35 50	Φ11 5	32 40	80 M10	112 Φ120	见附录 A-2 和 A-3 Please see appendix A-2 and A-3			
GS59	80 ^{-0.5} Φ30k6	107 134	12 79	130 110	100 136	30 112 ^{-0.5}	35 190	20 71	15 8	30 33	45 60	Φ11 3.5	30 50	100 M10	130 Φ120				
GS69	106 ^{-0.5} Φ35k6	135 160	15 95	170 130	130 160	40 140 ^{-0.5}	40 238	22 85.5	20 10	45 38	60 70	Φ13.5 7	45 56	130 M12	175 Φ160				
GS79	125 ^{-0.5} Φ45k6	162 195	25 120	177 150	135 185	42 180 ^{-0.5}	70 304	34 101	25 14	50 48.5	75 90	Φ17.5 5	69 80	135 M16	204 Φ200				
GS89	150 ^{-0.5} Φ60m6	190 255	30 155	230 200	180 250	50 225 ^{-0.5}	82 372	37.5 130	30 18	60 64	92 120	Φ22 5	67 110	180 M20	247 Φ250				
GS99	180 ^{-0.5} Φ70m6	240 295	35 170	295 250	235 300	60 280 ⁻¹	90 461	52 150	35 20	80 74.5	115 140	Φ26 7.5	85 125	235 M20	320 Φ300				

注： 1.减速机部分的外形尺寸，未包含通气帽的高度尺寸。通气帽的高度尺寸为 17。

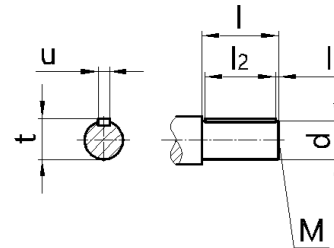
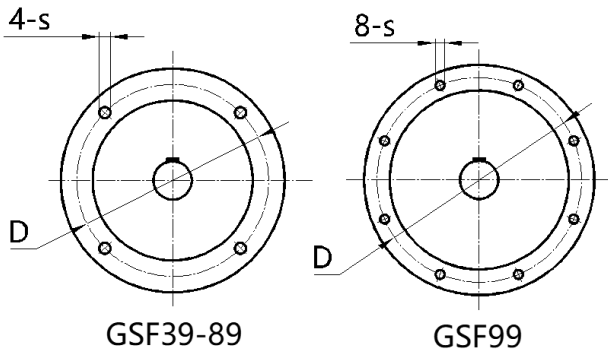
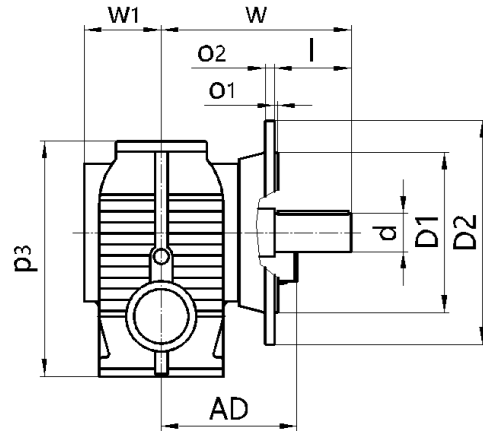
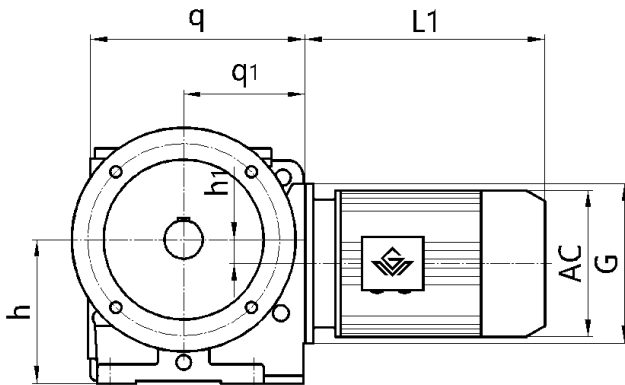
2.电机需方配或配特殊电机时需加联接法兰（见附录 D）

Note: 1.The dimensions don't include the height of the breathe valve.the height of the breathe valve is 17.

2.When equipping the user's motor or the special one, the flange is required to connected. (Please see appendix D)

GSF39-99
安装结构尺寸

GSF39-99
Mounting Dimensional Description



机型号 Type Size	q p ₃	q ₁ w	h w ₁	h ₁ u	s t	D l	D1 l ₁	D2 l ₂	o ₁ d	o ₂ M	G	电机尺寸 Motor Size								
												AC	AD	L1						
GSF39	143	80	82 ^{-0.5}	/	Φ9/Φ6.6	Φ130/Φ100	Φ110j6/Φ80j6	Φ160/Φ120	3.5/3	10/8	Φ120	见附录 A-2 和 A-3 Please see appendix A-2 and A-3								
	131	115	57	6	22.5	40	4	32	Φ20k6	M6										
GSF49	175	96	100 ^{-0.5}	8	Φ9	Φ130	Φ110j6	Φ160	3.5	10	Φ120									
	181	133.5	57.5	8	28	50	5	40	Φ25k6	M10										
GSF59	191	107	112 ^{-0.5}	20	Φ11	Φ165	Φ130j6	Φ200	3.5	10	Φ120									
	191	160	72	8	33	60	3.5	50	Φ30k6	M10										
GSF69	246	135	140 ^{-0.5}	22	Φ11	Φ165	Φ130j6	Φ200	3.5	12	Φ160									
	238	190	80.5	10	38	70	7	56	Φ35k6	M12										
GSF79	292	162	180 ^{-0.5}	34	Φ13.5	Φ215	Φ180j6	Φ250	4	15	Φ200									
	304	232	125	14	48.5	90	5	80	Φ45k6	M16										
GSF89	344	190	225 ^{-0.5}	37.5	Φ17.5	Φ300	Φ250h6	Φ350	5	15	Φ250									
	372	290	150	18	64	120	5	110	Φ60m6	M20										
GSF99	425	240	280 ⁻¹	52	Φ17.5	Φ400	Φ350h6	Φ450	5	22	Φ300									
	460	340	170	20	74.5	140	7.5	125	Φ70m6	M20										

注： 1.减速机部分的外形尺寸，未包含通气帽的高度尺寸。通气帽的高度尺寸为 17。

2.电机需方配或配特殊电机时需加联接法兰（见附录 D）

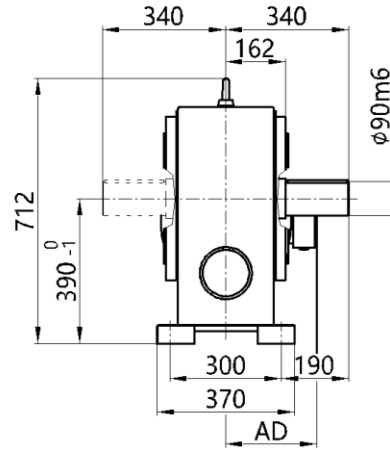
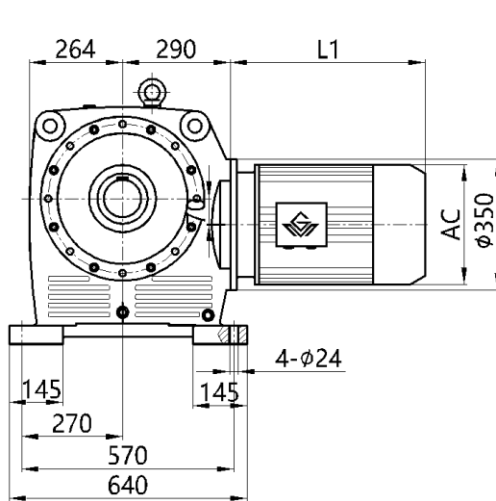
Note: 1.The dimensions don't include the height of the breathe valve.the height of the breathe valve is 17.

2.When equipping the user's motor or the special one, the flange is required to connected. (Please see appendix D)

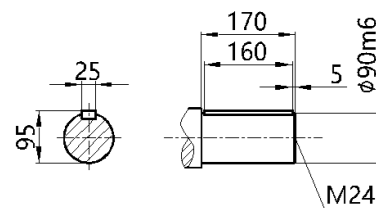
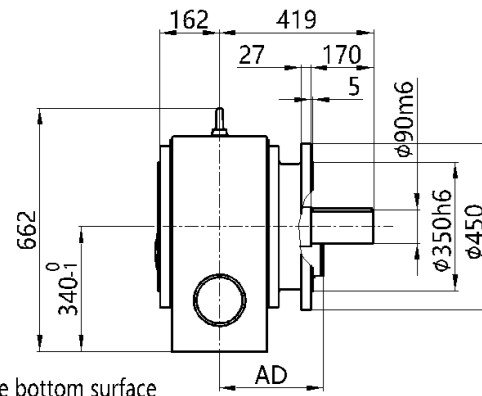
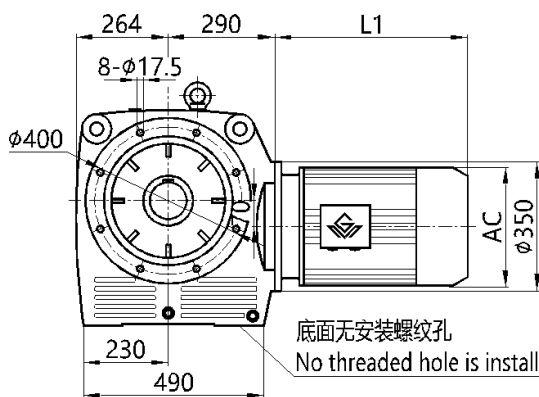
GS109/GSF109
安装结构尺寸

GS109/GSF109
Mounting Dimensional Description

GS109



GSF109

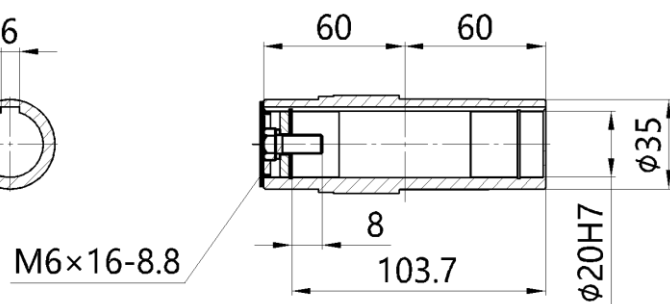
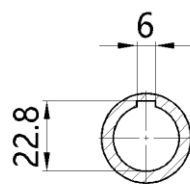
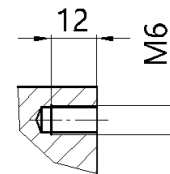
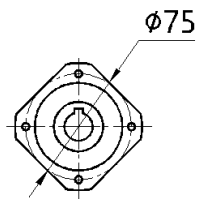
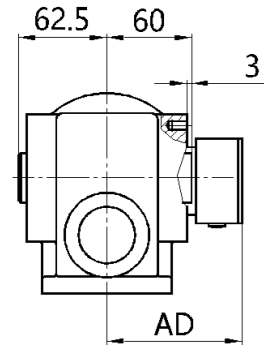
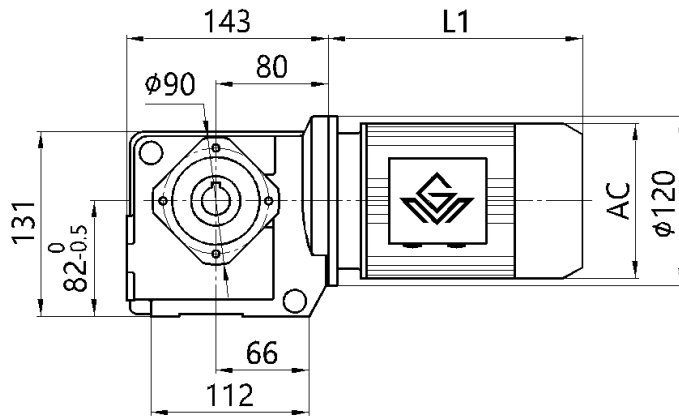


注： 1.电机需方配或配特殊电机时需加联接法兰（见附录 D）
2.直联电机尺寸见附录 A-2 和 A-3

Note: 1. When equipping the user's motor or the special one, the flange is required to be connected. (Please see appendix D)
2. See Appendix A-2 and A-3 for dimensions of direct-connected motors

GSA39
安装结构尺寸

GSA39
Mounting Dimensional Description



注： 1.电机需方配或配特殊电机时需加联接法兰（见附录 D）

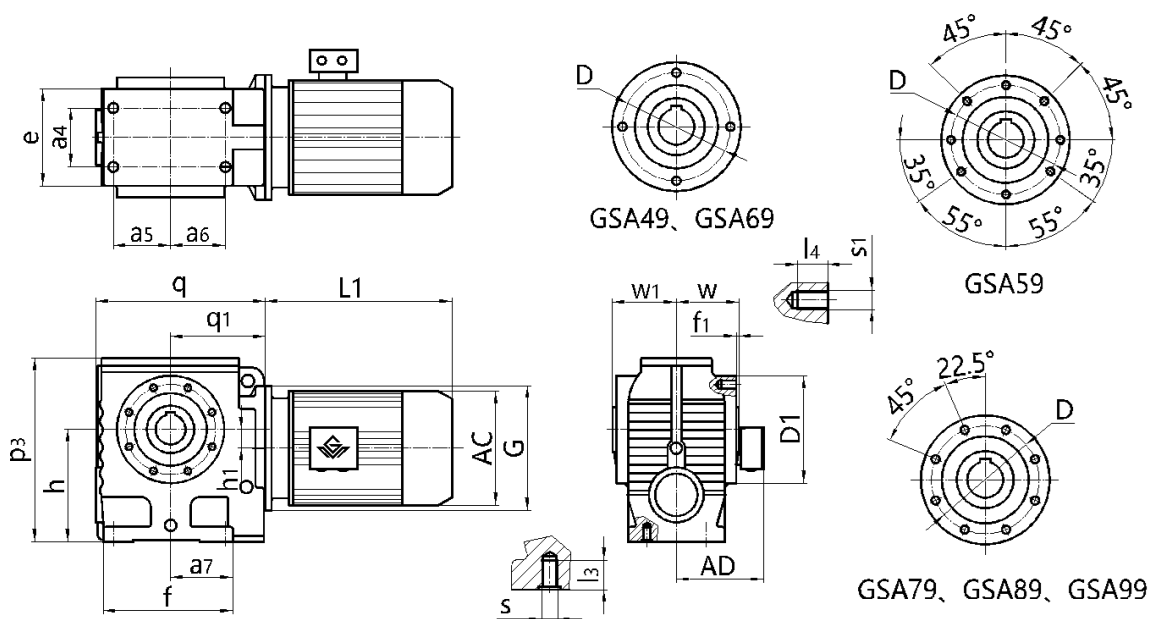
2.直联电机尺寸见附录 A-2 和 A-3

Note: 1. When equipping the user's motor or the special one, the flange is required to be connected. (Please see appendix D)

2. See Appendix A-2 and A-3 for dimensions of direct-connected motors

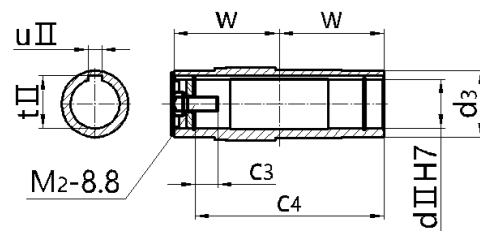
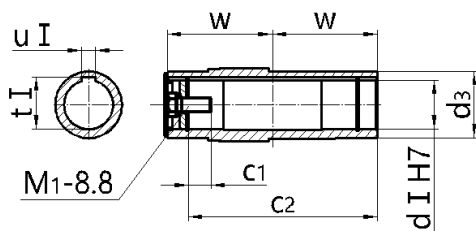
GSA49-99
安装结构尺寸

GSA49-99
Mounting Dimensional Description



较大孔径 (The bigger diameter of bore)

较小孔径 (The smaller diameter of bore)



机型号 Type Size	e h ₁	a ₄ a ₇	a ₅ f	a ₆ w	s f ₁	l ₃ D ₁	s ₁ d ₃	l ₄ d _I	D u _I	q t _I	q ₁ d _{II}	p ₃ u _{II}	h t _{II}	c ₁ c ₂	c ₃ c ₄	M ₁ M ₂	G w ₁	电机尺寸 Motor Size		
																		AC	AD	L1
GSA49	94	60	35	52	M10	20	M8	14	Φ115	175	96	181	100 _{-0.5}	17	17	M10×25	Φ120	见附录 A-2 和 A-3 Please see appendix A-2 and A-3		
	8	67	127	60	2.5	Φ130	Φ45	Φ30	8	33.3	Φ25	8	28.3	103.7	103.7	M10×25	63			
GSA59	100	60	58.5	58.5	M10	20	M8	15	Φ102	191	107	191	112 _{-0.5}	22	17	M12×30	Φ120			
	20	73	146	75	3	Φ120	Φ50	Φ35	10	38.3	Φ30	8	33.3	132	132	M10×25	78			
GSA69	130	88	71.5	80.5	M12	25	M12	20	Φ130	246	135	238	140 _{-0.5}	29	29	M16×40	Φ160			
	22	95.5	182	84	3.5	Φ155	Φ65	Φ45	14	48.8	Φ40	12	43.3	144	144	M16×40	87			
GSA79	156	102	85	85	M16	32	M12	21	Φ155	292	162	304	180 _{-0.5}	37	32	M20×50	Φ200			
	34	104	204	105	4	Φ178	Φ80	Φ60	18	64.4	Φ50	14	53.8	183	183	M16×45	108			
GSA89	194	118	115	110	M16	32	M16	28	Φ180	344	190	372	225 _{-0.5}	34	36	M20×50	Φ250			
	37.5	125	260	125	5	Φ215	Φ95	Φ70	20	74.9	Φ60	18	64.4	220	220	M20×50	128			
GSA99	236	160	135	113	M20	37	M16	28	Φ220	425	240	460	280 ₋₁	41	34	M24×60	Φ300			
	52	140	301	145	5	Φ260	Φ120	Φ90	25	95.4	Φ70	20	74.9	260	260	M20×50	149			

注: 1.减速机部分的外形尺寸, 未包含通气帽的高度尺寸。通气帽的高度尺寸为 17。

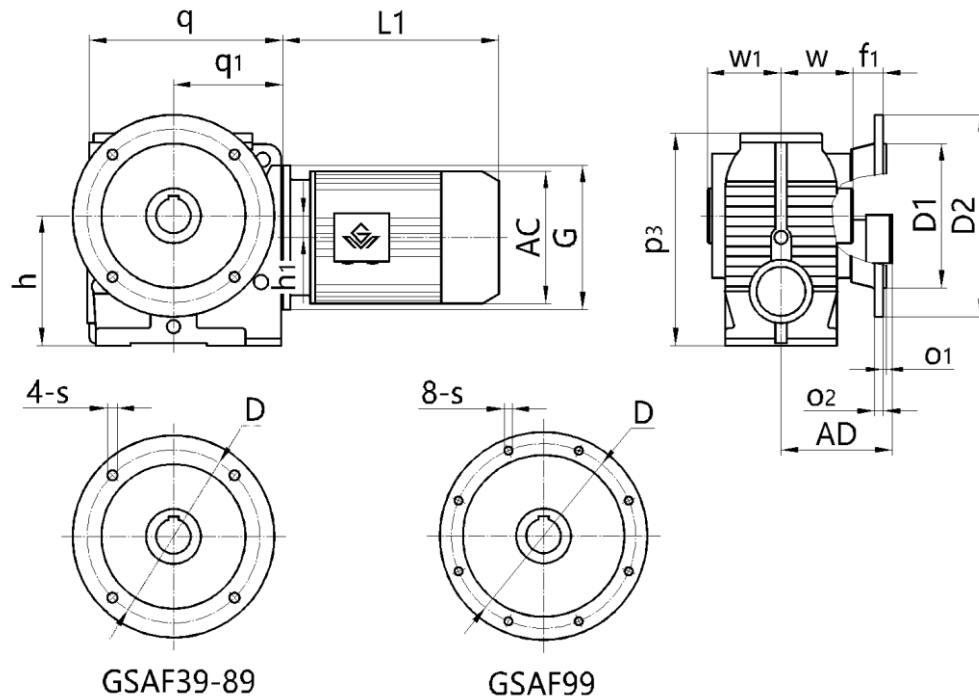
2.电机需方配或配特殊电机时需加联接法兰 (见附录 D)

Note: 1.The dimensions don't include the height of the breathe valve.the height of the breathe valve is 17.

2.When equipping the user's motor or the special one, the flange is required to connected. (Please see appendix D)

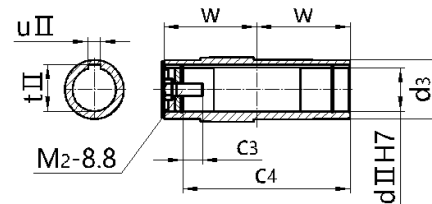
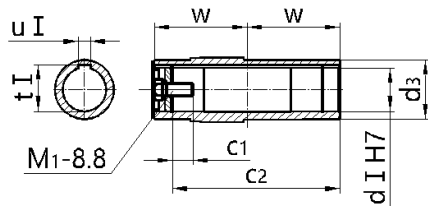
GSAF39-99
安装结构尺寸

GSAF39-99
Mounting Dimensional Description



较大孔径 (The bigger diameter of bore)

较小孔径 (The smaller diameter of bore)



机型号 Type Size	q	q ₁	h	h ₁	s	D	D ₁	D ₂	o ₁	o ₂	c ₁	c ₃	M ₁	G	电机尺寸 Motor Size			
															AC	AD	L1	
GSAF39	143	80	82 ^{-0.5}	/	Φ9/Φ6.6	Φ130/Φ100	Φ110j6/Φ80j6	Φ160/Φ120	3.5/3	10/8	8	/	M6×16	Φ120	见附录 A-2 和 A-3 Please see appendix A-2 and A-3			
	131	60	15	Φ35	Φ20	6	22.8	/	/	/	103.7	/	/	62.5				
GSAF49	175	96	100 ^{-0.5}	8	Φ9	Φ130	Φ110j6	Φ160	3.5	10	17	17	M10×25	Φ120				
	181	60	24	Φ45	Φ30	8	33.3	Φ25	8	28.3	103.7	103.7	M10×25	63				
GSAF59	191	107	112 ^{-0.5}	20	Φ11	Φ165	Φ130j6	Φ200	3.5	12	22	17	M12×30	Φ120				
	191	75	25	Φ50	Φ35	10	38.3	Φ30	8	33.3	132	132	M10×25	78				
GSAF69	246	135	140 ^{-0.5}	22	Φ11	Φ165	Φ130j6	Φ200	3.5	12	29	29	M16×40	Φ160				
	238	84	42.5	Φ65	Φ45	14	48.8	Φ40	12	43.3	144	144	M16×40	87				
GSAF79	292	162	180 ^{-0.5}	34	Φ13.5	Φ215	Φ180j6	Φ250	4	15	37	32	M20×50	Φ200				
	304	105	45.5	Φ80	Φ60	18	64.4	Φ50	14	53.8	183	183	M16×45	108				
GSAF89	344	190	225 ^{-0.5}	37.5	Φ17.5	Φ300	Φ250h6	Φ350	5	15	34	36	M20×50	Φ250				
	372	125	52.5	Φ95	Φ70	20	74.9	Φ60	18	64.4	220	220	M20×50	128				
GSAF99	425	240	280 ⁻¹	52	Φ17.5	Φ400	Φ350h6	Φ450	5	17	41	34	M24×60	Φ300				
	460	145	60	Φ120	Φ90	25	95.4	Φ70	20	74.9	260	260	M20×50	149				

注： 1.减速机部分的外形尺寸，未包含通气帽的高度尺寸。通气帽的高度尺寸为17。

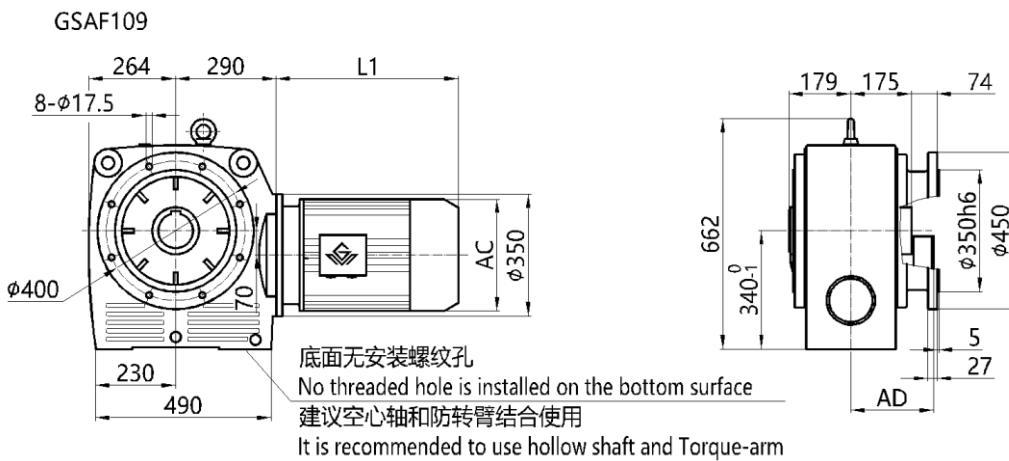
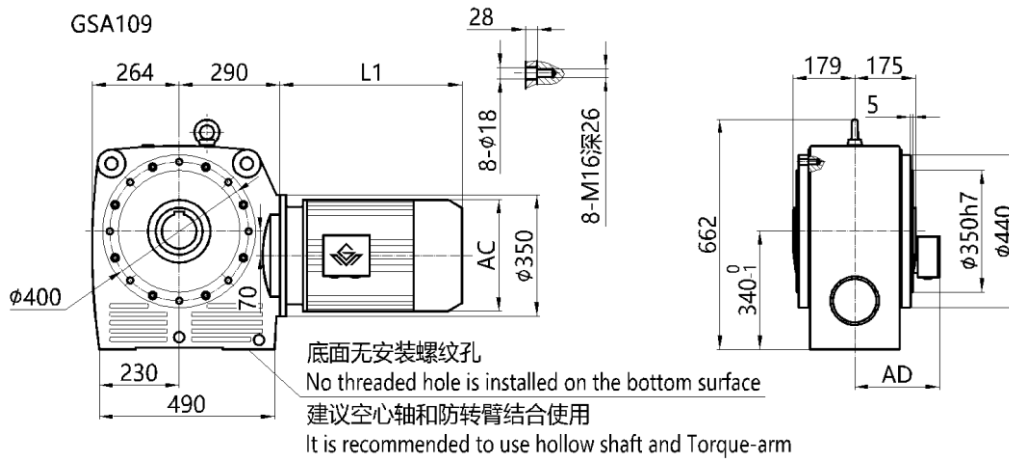
2.电机需方配或配特殊电机时需加联接法兰（见附录 D）

Note: 1.The dimensions don't include the height of the breathe valve.the height of the breathe valve is 17.

2.When equipping the user's motor or the special one, the flange is required to connected. (Please see appendix D)

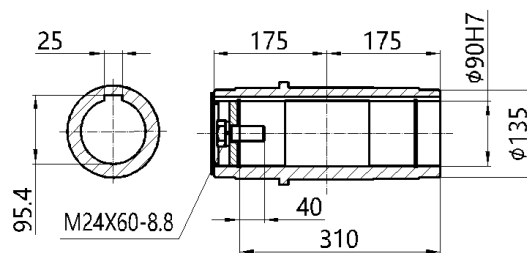
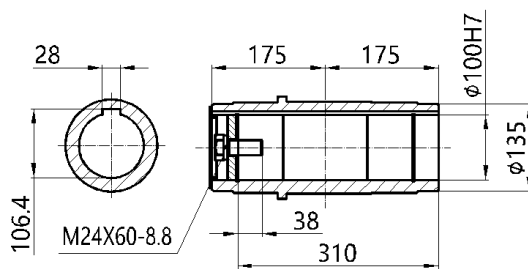
GSA109/GSAF109
安装结构尺寸

GSA109/GSAF109
Mounting Dimensional Description



较大孔径 (The bigger diameter of bore)

较小孔径 (The smaller diameter of bore)



注： 1.电机需方配或配特殊电机时需加联接法兰 (见附录 D)

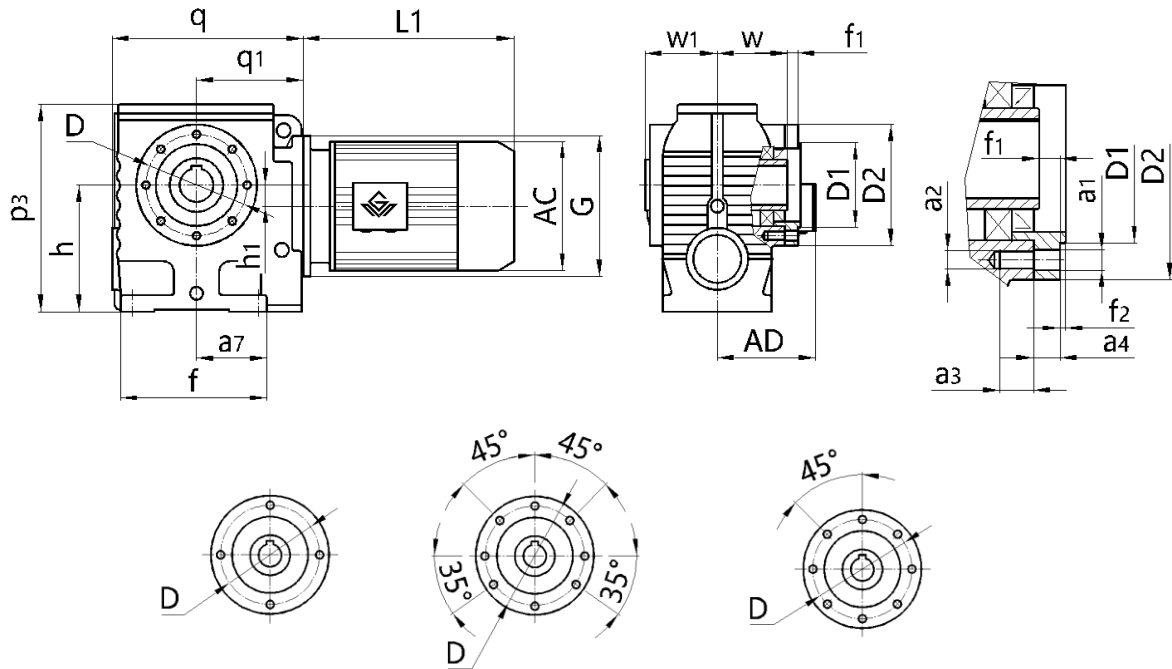
2.直联电机尺寸见附录 A-2 和 A-3

Note: 1. When equipping the user's motor or the special one, the flange is required to connected. (Please see appendix D)

2. See Appendix A-2 and A-3 for dimensions of direct-connected motors

GSAZ49-99
安装结构尺寸

GSAZ49-99
Mounting Dimensional Description



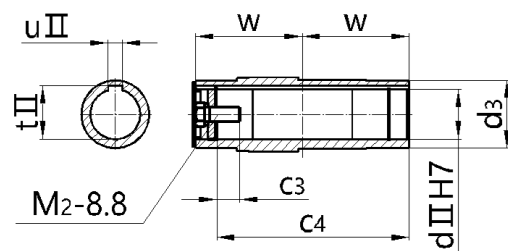
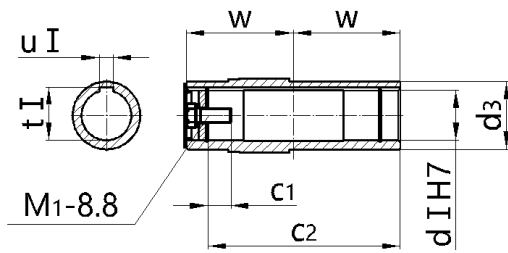
GSAZ49、GSAZ69

GSAZ59

GSAZ79、GSAZ89、GSAZ99

较大孔径 (The bigger diameter of bore)

较小孔径 (The smaller diameter of bore)



机型号 Type Size	d I d II	d ₃ G	M ₁ M ₂	q q ₁	h h ₁	p ₃ f	a ₇ f ₂	a ₂ f ₁	a ₃ a ₁	a ₄ D	D1 D2	w w ₁	t I u I	t II u II	c ₁ c ₂	c ₃ c ₄	电机尺寸 Motor Size					
																	AC	AD	L1			
GSAZ49	Φ30	Φ45	M10×25	175	100-0.5	181	67	M8	14	11	Φ95j6	60	33.3	28.3	17	17	见附录 A-2 和 A-3 Please see appendix A-2 and A-3	AC	AD	L1		
	Φ25	Φ120	M10×25	96	8	127	3	8.5	Φ9	Φ115	Φ130	63	8	8	103.7	103.7						
GSAZ59	Φ35	Φ50	M12×30	191	112-0.5	191	73	M8	15	11	Φ80j6	75	38.3	33.3	22	17		见附录 A-2 和 A-3 Please see appendix A-2 and A-3	AC	AD	L1	
	Φ30	Φ120	M10×25	107	20	146	3	8	Φ9	Φ102	Φ120	78	10	8	132	132						
GSAZ69	Φ45	Φ65	M16×40	246	140-0.5	238	95.5	M12	20	13	Φ105j6	84	48.8	43.3	29	29			见附录 A-2 和 A-3 Please see appendix A-2 and A-3	AC	AD	L1
	Φ40	Φ160	M16×40	135	22	182	3.5	9.5	Φ13	Φ130	Φ155	87	14	12	144	144						
GSAZ79	Φ60	Φ80	M20×50	292	180-0.5	304	104	/	/	18.5	Φ125j6	105	64.4	53.8	37	32	见附录 A-2 和 A-3 Please see appendix A-2 and A-3			AC	AD	L1
	Φ50	Φ200	M16×45	162	34	204	4	14.5	M12	Φ155	Φ178	108	18	14	183	183						
GSAZ89	Φ70	Φ95	M20×50	344	225-0.5	372	125	/	/	23.5	Φ150j6	125	74.9	64.4	34	36		见附录 A-2 和 A-3 Please see appendix A-2 and A-3		AC	AD	L1
	Φ60	Φ250	M20×50	190	37.5	260	5	18.5	M16	Φ180	Φ215	128	20	18	220	220						
GSAZ99	Φ90	Φ120	M24×60	425	280-1.0	460	140	/	/	23.5	Φ180j6	145	95.4	74.9	41	34			见附录 A-2 和 A-3 Please see appendix A-2 and A-3	AC	AD	L1
	Φ70	Φ300	M20×50	240	52	301	5	18.5	M16	Φ220	Φ260	149	25	20	260	260						

注： 1.减速机部分的外形尺寸，未包含通气帽的高度尺寸。通气帽的高度尺寸为17。

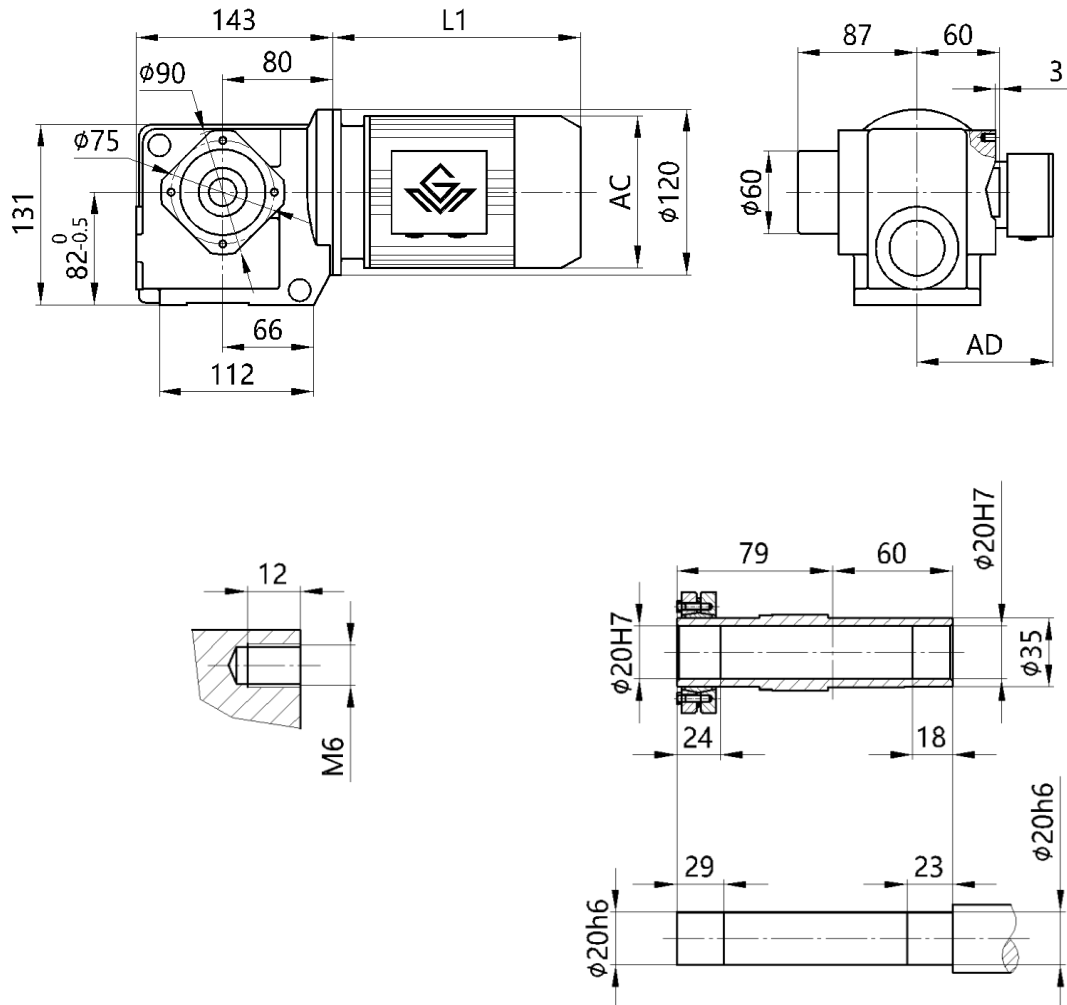
2.电机需方配或配特殊电机时需加联接法兰（见附录 D）

Note: 1.The dimensions don't include the height of the breathe valve.the height of the breathe valve is 17.

2.When equipping the user's motor or the special one, the flange is required to connected. (Please see appendix D)

GSH39
安装结构尺寸

GSH39
Mounting Dimensional Description

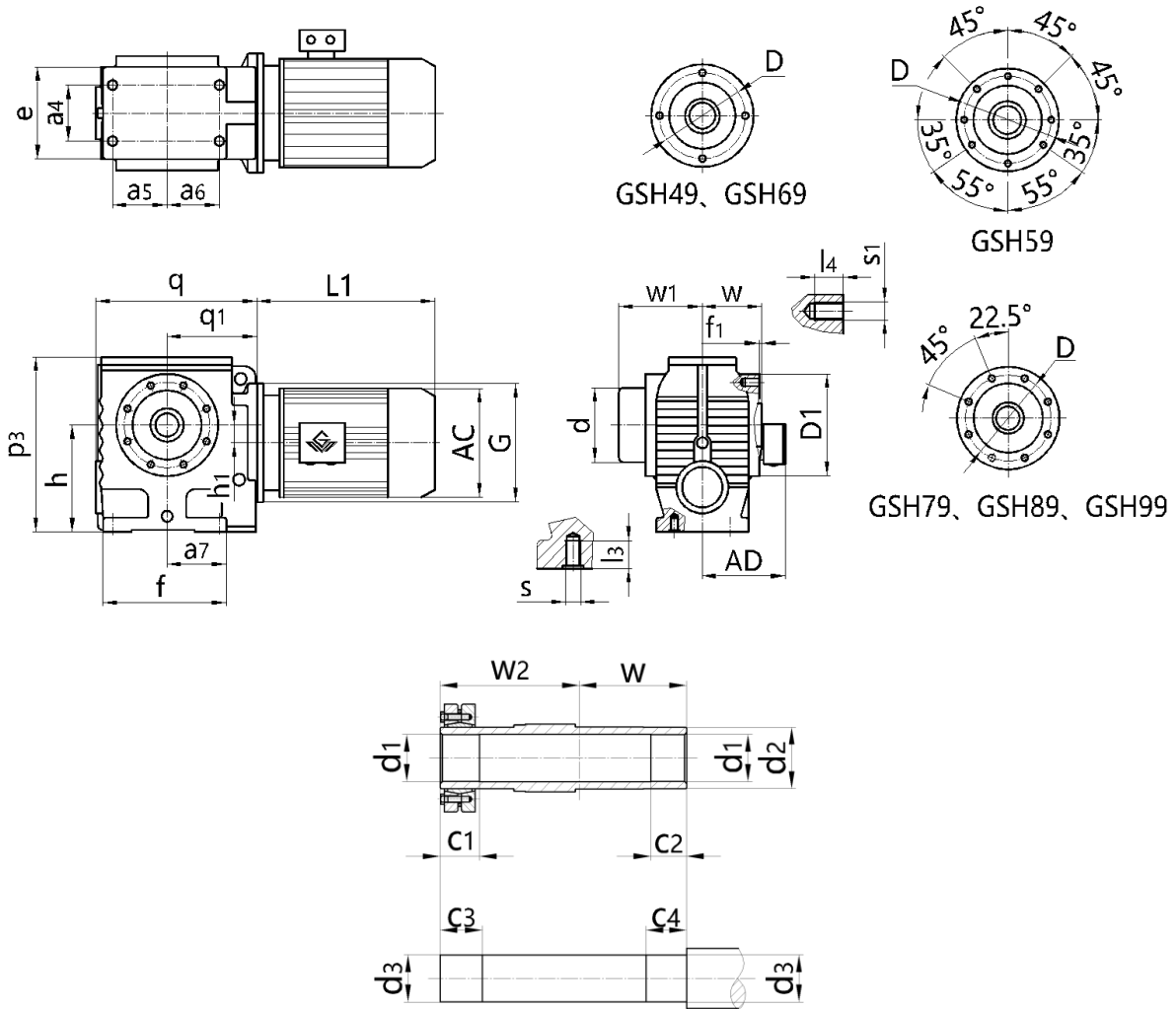


注： 1.电机需方配或配特殊电机时需加联接法兰（见附录 D）
2.直联电机尺寸见附录 A-2 和 A-3

Note: 1. When equipping the user's motor or the special one, the flange is required to be connected. (Please see appendix D)
2. See Appendix A-2 and A-3 for dimensions of direct-connected motors

GSH49-99
安装结构尺寸

GSH49-99
Mounting Dimensional Description



机型号 Type Size	q q ₁	e a ₄	a ₆ a ₅	p ₃ a ₇	h h ₁	f f ₁	w w ₁	c ₁ c ₂	c ₃ c ₄	D D ₁	d d ₁	d ₂ d ₃	s s ₁	l ₃ l ₄	w ₂ G	电机尺寸 Motor Size			
																AC	AD	L1	
GSH49	175	94	52	181	100 ^{-0.5}	127	60	31	36	Φ115	Φ80	Φ45	M10	20	86	见附录 A-2 和 A-3 Please see appendix A-2 and A-3			
	96	60	35	67	8	2.5	95	20	25	Φ130	Φ30H7	Φ30h6	M8	14	Φ120				
GSH59	191	100	58.5	191	112 ^{-0.5}	146	75	32	37	Φ102	Φ88	Φ50	M10	20	102				
	107	60	58.5	73	20	3	110	20	25	Φ120	Φ35H7	Φ35h6	M8	15	Φ120				
GSH69	246	130	80.5	238	140 ^{-0.5}	182	84	38	43	Φ130	Φ102	Φ65	M12	25	112				
	135	88	71.5	95.5	22	3.5	120	20	25	Φ155	Φ40H7	Φ40h6	M12	20	Φ160				
GSH79	292	156	85	304	180 ^{-0.5}	204	105	36	41	Φ155	Φ127	Φ80	M16	32	136				
	162	102	85	104	34	4	146	30	35	Φ178	Φ50H7	Φ50h6	M12	21	Φ200				
GSH89	344	194	110	372	225 ^{-0.5}	260	125	40	45	Φ180	Φ157	Φ95	M16	32	165				
	190	118	115	125	37.5	5	176	40	45	Φ215	Φ65H7	Φ65h6	M16	28	Φ250				
GSH99	425	236	113	460	280 ⁻¹	301	145	55	60	Φ220	Φ171	Φ120	M20	37	190				
	240	160	135	140	52	5	204	50	55	Φ260	Φ75H7	Φ75h6	M16	28	Φ300				

注： 1.减速机部分的外形尺寸，未包含通气帽的高度尺寸。通气帽的高度尺寸为 17。

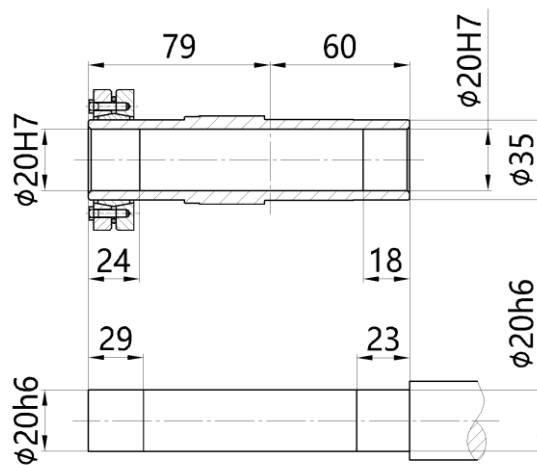
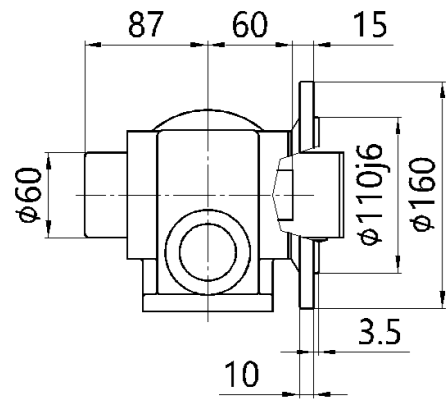
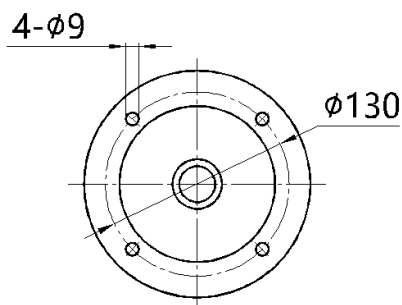
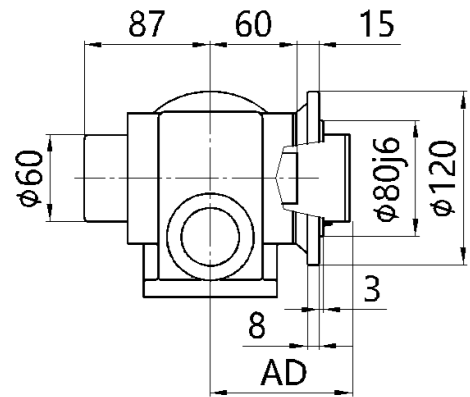
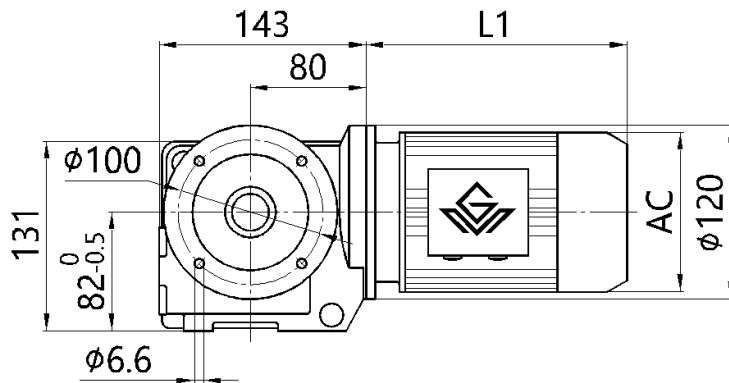
2.电机需方配或配特殊电机时需加联接法兰（见附录 D）

Note: 1.The dimensions don't include the height of the breathe valve.the height of the breathe valve is 17.

2.When equipping the user's motor or the special one, the flange is required to connected. (Please see appendix D)

GSHF39
安装结构尺寸

GSHF39
Mounting Dimensional Description

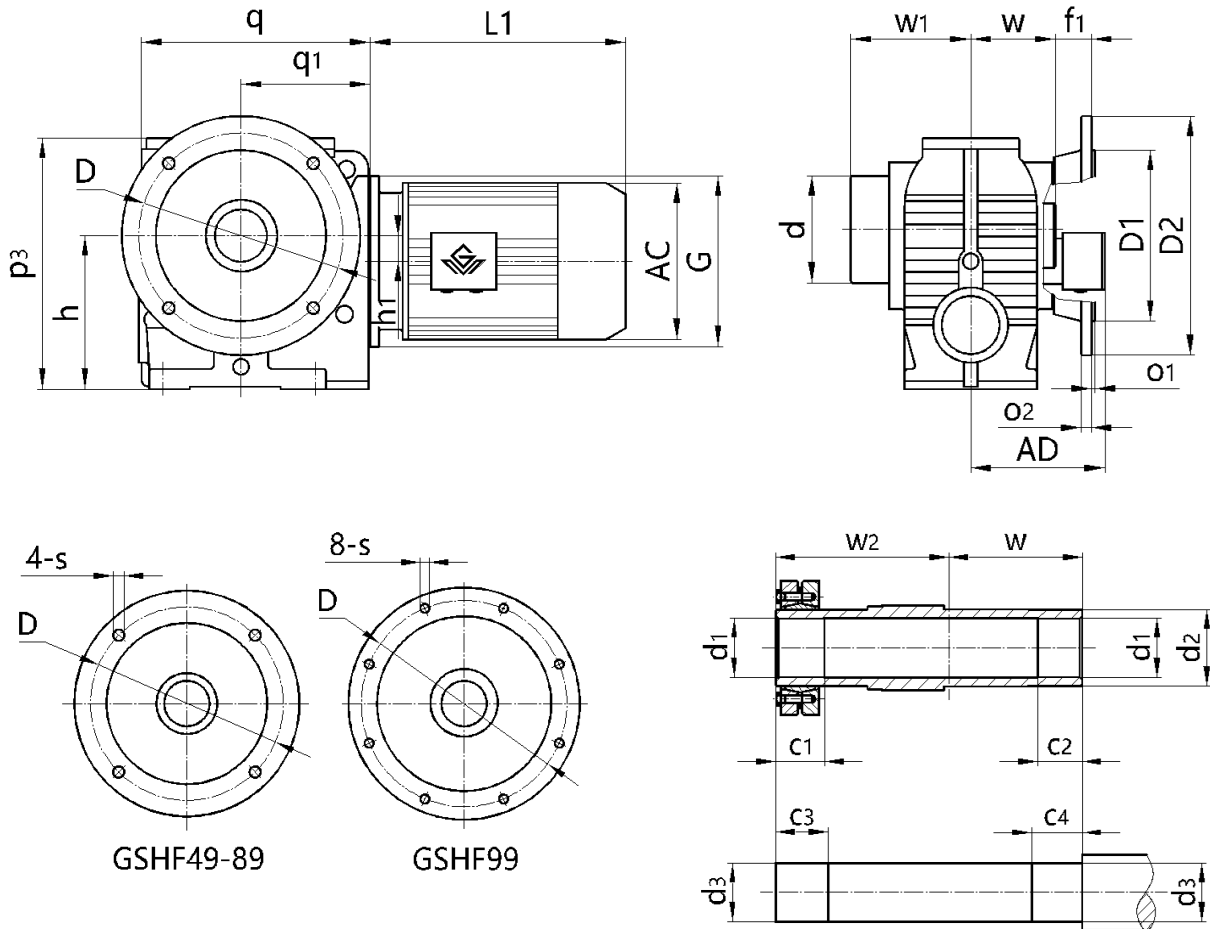


注: 1.电机需方配或配特殊电机时需加联接法兰 (见附录 D)
 2.直联电机尺寸见附录 A-2 和 A-3

Note: 1. When equipping the user's motor or the special one, the flange is required to connected. (Please see appendix D)
 2. See Appendix A-2 and A-3 for dimensions of direct-connected motors

GSHF49-99
安装结构尺寸

GSHF49-99
Mounting Dimensional Description



机型号 Type Size	q	h	s	o ₂	D ₂	w	w ₂	c ₂	c ₃	d	d ₂	p ₃	电机尺寸 Motor Size		
	q ₁	h ₁	D	o ₁	D ₁	w ₁	c ₁	f ₁	c ₄	d ₁	d ₃	G	AC	AD	L1
GSHF49	175	100 ^{-0.5}	Φ9	10	Φ160	60	86	20	36	Φ80	Φ45	181	见附录 A-2 和 A-3 Please see appendix A-2 and A-3		
	96	8	Φ130	3.5	Φ110j6	95	31	24	25	Φ30H7	Φ30h6	Φ120			
GSHF59	191	112 ^{-0.5}	Φ11	12	Φ200	75	102	20	37	Φ88	Φ50	191			
	107	20	Φ165	3.5	Φ130j6	110	32	25	25	Φ35H7	Φ35h6	Φ120			
GSHF69	246	140 ^{-0.5}	Φ11	12	Φ200	84	112	20	43	Φ102	Φ65	238			
	135	22	Φ165	3.5	Φ130j6	120	38	42.5	25	Φ40H7	Φ40h6	Φ160			
GSHF79	292	180 ^{-0.5}	Φ13.5	15	Φ250	105	136	30	41	Φ127	Φ80	304			
	162	34	Φ215	4	Φ180j6	146	36	45.5	35	Φ50H7	Φ50h6	Φ200			
GSHF89	344	225 ^{-0.5}	Φ17.5	15	Φ350	125	165	40	45	Φ157	Φ95	372			
	190	37.5	Φ300	5	Φ250h6	176	40	52.5	45	Φ65H7	Φ65h6	Φ250			
GSHF99	425	280 ^{-1.0}	Φ17.5	17	Φ450	145	190	50	60	Φ171	Φ120	460			
	240	52	Φ400	5	Φ350h6	204	55	60	55	Φ75H7	Φ75h6	Φ300			

注: 1.减速机部分的外形尺寸, 未包含通气帽的高度尺寸。通气帽的高度尺寸为 17。

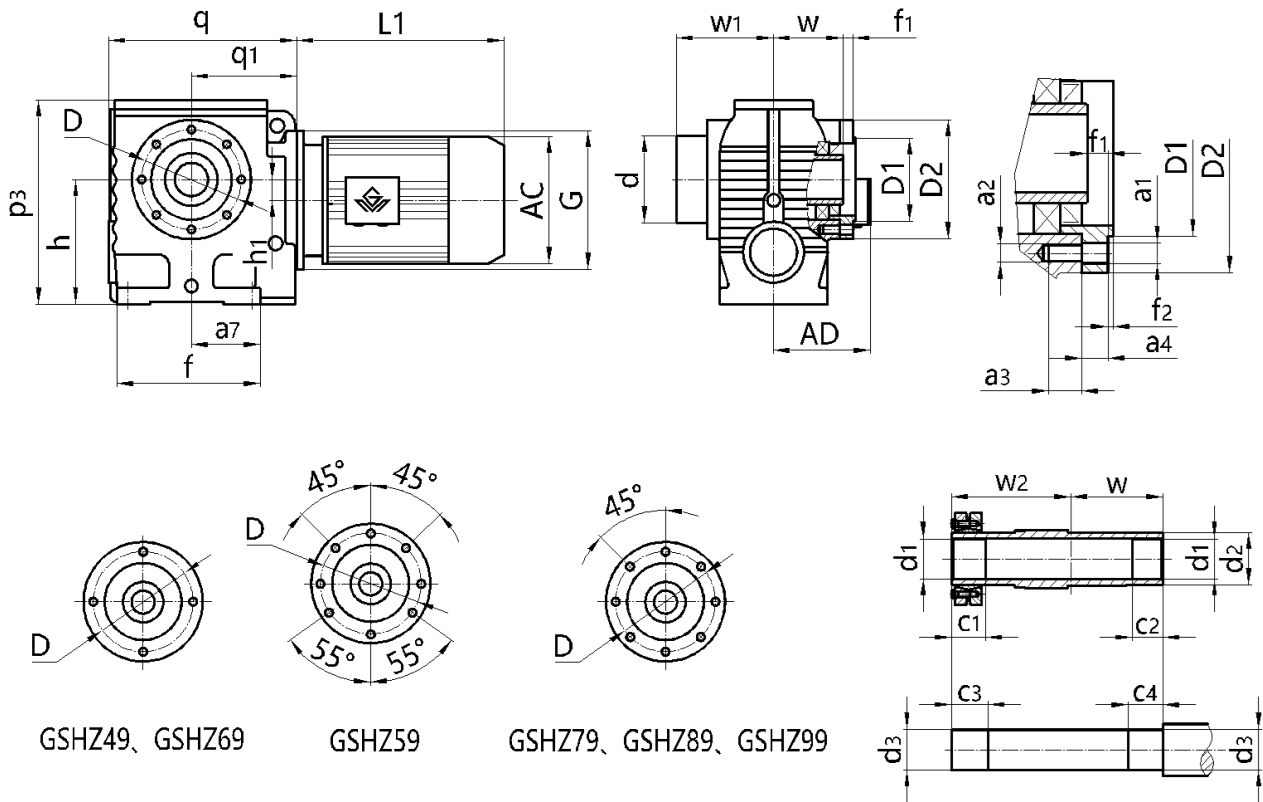
2.电机需方配或配特殊电机时需加联接法兰 (见附录 D)

Note: 1.The dimensions don't include the height of the breathe valve.the height of the breathe valve is 17.

2.When equipping the user's motor or the special one, the flange is required to connected. (Please see appendix D)

GSHZ49-99
安装结构尺寸

GSHZ49-99
Mounting Dimensional Description



机型号 Type Size	d d ₁	d ₃ d ₂	q q ₁	h h ₁	p ₃ f	a ₇ f ₂	a ₂ f ₁	a ₃ a ₁	a ₄ D	D1 D2	c ₁ c ₂	c ₃ c ₄	W W ₁	W ₂ G	电机尺寸 Motor Size		
															AC	AD	L1
															GSHZ49	Φ80 Φ30H7	Φ30h6 Φ45
GSHZ59	Φ88 Φ35H7	Φ35h6 Φ50	191 107	112 ^{-0.5} 20	191 146	73 3	M8 8	15 Φ9	11 Φ102	Φ80j6 Φ120	32 20	37 25	75 110	102 Φ120			
GSHZ69	Φ102 Φ40H7	Φ40h6 Φ65	246 135	140 ^{-0.5} 22	238 182	95.5 3.5	M12 9.5	20 Φ13	13 Φ130	Φ105j6 Φ155	38 20	43 25	84 120	112 Φ160			
GSHZ79	Φ127 Φ50H7	Φ50h6 Φ80	292 162	180 ^{-0.5} 34	304 204	104 4	/ 14.5	/ M12	18.5 Φ155	Φ125j6 Φ178	36 30	41 35	105 146	136 Φ200			
GSHZ89	Φ157 Φ65H7	Φ65h6 Φ95	344 190	225 ^{-0.5} 37.5	372 260	125 5	/ 18.5	/ M16	23.5 Φ180	Φ150j6 Φ215	40 40	45 45	125 176	165 Φ250			
GSHZ99	Φ171 Φ75H7	Φ75h6 Φ120	425 240	280 ^{-1.0} 52	460 301	140 5	/ 18.5	/ M16	23.5 Φ220	Φ180j6 Φ260	55 50	60 55	145 204	190 Φ300			

注： 1.减速机部分的外形尺寸，未包含通气帽的高度尺寸。通气帽的高度尺寸为 17。

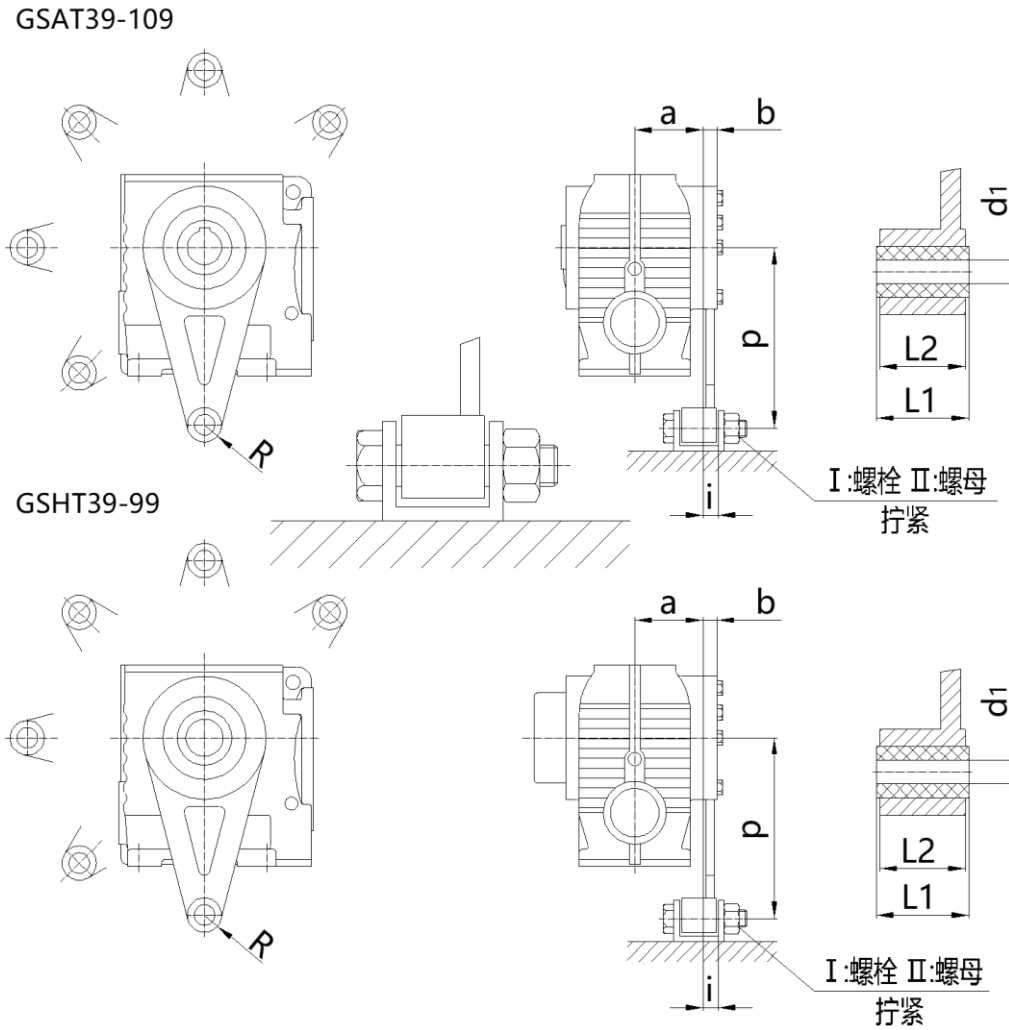
2.电机需方配或配特殊电机时需加联接法兰（见附录 D）

Note: 1.The dimensions don't include the height of the breathe valve.the height of the breathe valve is 17.

2.When equipping the user's motor or the special one, the flange is required to connected. (Please see appendix D)

GSAT39-109 (GSHT39-99)
安装结构尺寸

GSAT39-109 (GSHT39-99)
Mounting Dimensional Description



机型号 Type Size	a	b	i	p	R	d ₁	L1 _{0-0.3}	L2
GSAT39/GSHT39	57	10	26	110	21	10.4 ^{+0.1} _{-0.1}	36	31
GSAT49/GSHT49	57.5	15	20.5	130	21	10.4 ^{+0.1} _{-0.1}	36	31
GSAT59/GSHT59	72	15	18.5	160	21	10.4 ^{+0.1} _{-0.1}	36	31
GSAT69/GSHT69	80.5	18	19.5	200	21	10.4 ^{+0.1} _{-0.1}	36	31
GSAT79/GSHT79	101	18	32.5	250	30	16.4 ^{+0.08} _{-0.08}	60	54
GSAT89/GSHT89	120	24	25.5	310	30	16.4 ^{+0.08} _{-0.08}	60	54
GSAT99/GSHT99	140	26	33	380	40	25 ^{+0.08} _{-0.08}	80	72
GSAT109	162	24	49	430	40	25 ^{+0.08} _{-0.08}	80	74

其它尺寸请按照 GSA/GSH 型。

注： 1. I： 螺栓 II： 螺母， 均用户自配。

2. 电机需方配或配特殊电机时需加联接法兰（见附录 D）

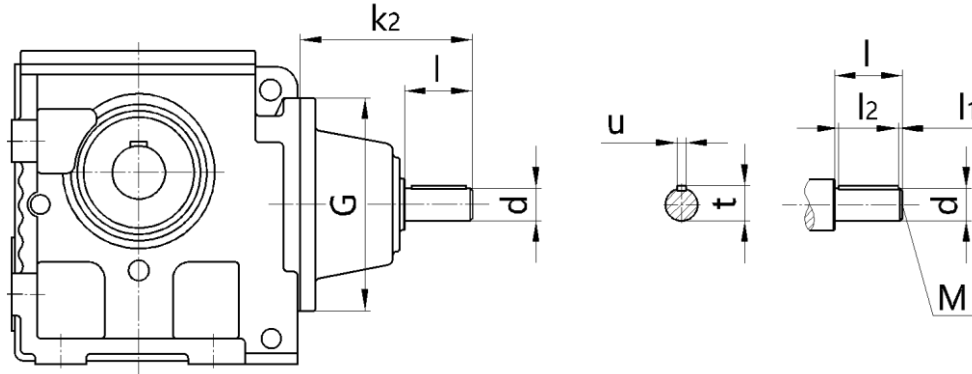
For other dimensions, see the type GSA/GSH.

Note: 1. Bolts I and nuts II are prepared by customers.

2. When equipping the user's motor or the special one, the flange is required to connected. (Please see appendix D)

GS..39-109AD1-6
安装结构尺寸

GS..39-109AD1-6
Mounting Dimensional Description



机型号 Type Size	规格 Specification	适用功率范围(kW)/4P Range Power	d	G	k2	l	M	l1	l2	t	u
GS..39/49/59	AD1	0.12-0.18	16k6	Φ120	130	40	M5	4	32	18	5
	AD2	0.25-3	19k6	Φ120	130	40	M6	4	32	21.5	6
GS..69	AD2	0.25-1.5	19k6	Φ160	149	40	M6	4	32	21.5	6
	AD3	2.2-5.5	24k6	Φ160	159	50	M8	5	40	27	8
GS..79	AD2	0.25-1.5	19k6	Φ200	184	40	M6	4	32	21.5	6
	AD3	2.2-4	24k6	Φ200	194	50	M8	5	40	27	8
	AD4	5.5-7.5	38k6	Φ200	224	80	M12	5	70	41	10
GS..89	AD2	0.75-1.5	19k6	Φ250	136	40	M6	4	32	21.5	6
	AD3	2.2-4	28k6	Φ250	156	60	M10	5	50	31	8
	AD4	5.5-7.5	38k6	Φ250	262	80	M12	5	70	41	10
	AD5	11-15	42k6	Φ250	292	110	M16	10	70	45	12
GS..99	AD3	1.5-4	28k6	Φ300	194	60	M10	5	50	31	8
	AD4	5.5-7.5	38k6	Φ300	214	80	M12	5	70	41	10
	AD5	11-22	42k6	Φ300	327	110	M16	10	70	45	12
GS..109	AD3	2.2-4	28k6	Φ350	188	60	M10	5	50	31	8
	AD4	5.5-7.5	38k6	Φ350	208	80	M12	5	70	41	10
	AD5	11-22	42k6	Φ350	321	110	M16	10	70	45	12
	AD6	30	48k6	Φ350	321	110	M16	10	80	51.5	14

其它尺寸请参照 GS 型。

注： 1. GSA/GSAF/GSF/GSAZ/GSH/GSHF/GSHZ 均可采用双轴型，并分别记为 GSA..AD..、GSAF..AD..、GSF..AD..、GSAZ..AD..、GSH..AD..、GSHF..AD..和 GSHZ..AD..。

2. 通过联轴器联接，可直接参考上表功率范围；若电机和减速机之间是通过其他极数电机、齿轮、链轮、皮带轮等传动方式联接，需客户自行转换。

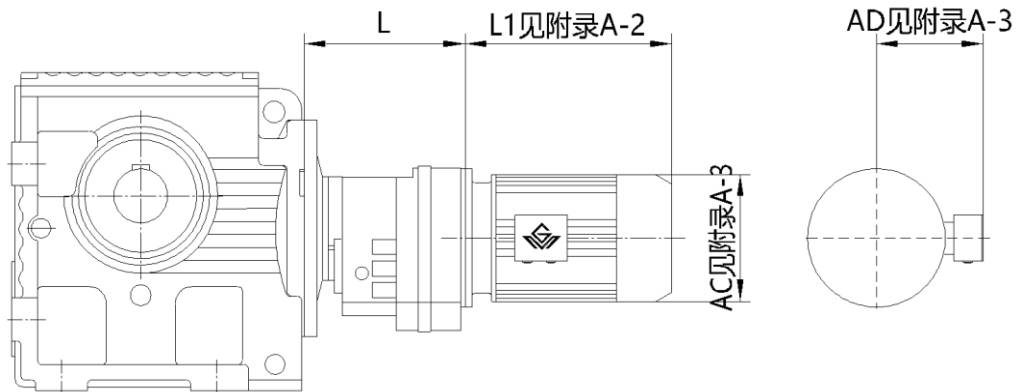
For other dimensions, see the type GS.

Note: 1. Double shafts type is also available for type GSA/GSAF/GSF/GSAZ/GSH/GSHF/GSHZ, and these double shafts types are respectively named type GSA..AD..、GSAF..AD..、GSF..AD..、GSAZ..AD..、GSH..AD..、GSHF..AD..and GSHZ..AD...

2. Applicable power refers to the input torque of 4 pole motor. If the connect way is coupling, can see the power range on the table directly, if the connect way is other pole motor, sprocket, belt pulley, need customers to convert by themselves.

GS..R..
安装结构尺寸

GS..R..
Mounting Dimensional Description



机型号 Type Size	机座号 Frame Size	L
GS..39R19	63	135
	71	
	80	
GS..49R19 GS..59R19	63	135
	71	
	80	
GS..69R39	63	163
	71	
	80	
GS..79R39	63	163
	71	
	80	
	90	
GS..89R59	63	216
	71	
	80	
	90	
	100	
GS..99R59	63	216
	71	
	80	
	90	
	100	
	112	
GS..109R79	63	251
	71	
	80	
	90	
	100	
	112	
	132	

注： 1.GSA/GSAF/GSF/GSAZ/GSH/GSHF/GSHZ 均可采用串联组合机型。

2.电机需方配或配特殊电机时需加联接法兰（见附录 D）

Note: 1.Combined type is also available for type GSA/GSAF/GSF/GSAZ/GSH/GSHF/GSHZ.

2.When equipping the user's motor or the special one, the flange is required to connected. (Please see appendix D)

附录 A-1
Appendix A-1
标准普通电机技术参数 (IE2)
Technical Date of Standard Ordinary Motors (IE2)

机座号 Frame size	额定功率 Rated power/kW	满载时 Full load				堵转电流 Blocked current	堵转转矩 Blocked torque	最大转矩 Max torque	转动惯量 Moment of inertia / (kg.m ²)	净重 Weight /kg*
		转速 Speed / (r/min)*	电流 Current / A*	效率 Eff / (%)	功率因数 Power Factor*	额定电流 Rated current	额定转矩 Rated torque	额定转矩 Rated torque		
同步转速 3000r/min 2 极 Synchronous Speed 3000r/min 2P										
631-2	0.18	2720	0.53	65.0	0.80	5.5	2.2	—	9	
632-2	0.25		0.69	68.0	0.81				10	
711-2	0.37	2740	0.99	70.0	0.81	6.1	2.3	—	14	
712-2	0.55		1.4	73.0	0.82				15	
801-2	0.75	2830	1.83	75.0	0.83	7.0	2.2	0.00075	16	
802-2	1.1		2.55	77.0	0.84				17	
90S-2	1.5	2840	3.4	79.0	0.85	7.0	2.2	0.0012	22	
90L-2	2.2		4.8	81.0					0.85	25
100L-2	3.0	2870	6.31	83.0	0.87	7.5	2.2	0.0029	33	
112M-2	4.0	2890	8.23	85.0	0.88				7.5	2.3
132S1-2	5.5	2900	11.18	86.0		0.89	7.5	2.3		
132S2-2	7.5		15.06	87.0	0.89				7.5	2.3
160M1-2	11	2930	21.35	88.0		0.90	7.5	2.0		
160M2-2	15		28.78	89.0	0.90				7.5	2.0
160L-2	18.5	2940	34.72	90.0		0.91	7.5	2.0		
180M-2	22		41.28	90.5	0.91				7.5	2.0
200L1-2	30	2950	55.37	91.2		0.90	7.5	2.0		
200L2-2	37		67.92	92.0	0.90				7.5	2.0
225M-2	45	2970	82.16	92.3		0.91	7.5	2.0		
250M-2	55		100.1	92.5	0.91				7.5	2.0
280S-2	75	2980	134.0	93.2		0.91	7.5	2.0		
280M-2	90		160.27	93.8	0.91				7.5	2.0
315S-2	110	2980	195.46	94.0		0.92	7.1	1.8		
315M-2	132		233.3	94.5	0.92				7.1	1.8
315L1-2	160	2980	279.44	94.6		0.92	7.1	1.6		
315L2-2	200		347.83	94.8	0.92				7.1	1.6
355M-2	250	2980	432.5	95.3		0.92	7.1	1.6		
355L-2	315		543.25	95.6	0.92				7.1	1.6

附录 A-1
Appendix A-1

机座号 Frame size	额定功率 Rated power/kW	满载时 Full load				堵转电流 Blocked current	堵转转矩 Blocked torque	最大转矩 Max torque	转动惯量 Moment of inertia (/kg.m ²)	净重 Weight /kg*
		转速 Speed /(r/min)*	电流 Current /A*	效率 Eff /(%)	功率因数 Power factor*	额定电流 Rated current	额定转矩 Rated torque	额定转矩 Rated torque		
同步转速 1500r/min 4 极 Synchronous Speed 1500r/min 4P										
631-4	0.12	1310	0.44	57.0	0.72	4.4	2.1	2.2	—	9
632-4	0.18		0.62	60.0	0.73					10
711-4	0.25	1330	0.79	65.0	0.74	5.2	2.4	2.3	0.0018	13
712-4	0.37		1.12	67.0	0.75					14
801-4	0.55	1390	1.57	71.0	0.77	6.0	2.3	0.0021	0.0021	17
802-4	0.75		2.03	73.0						0.77
90S-4	1.1	1400	2.82	75.0	0.79	7.0	2.2	0.0027	0.0054	22
90L-4	1.5		3.7	78.0						0.79
100L1-4	2.2	1430	5.16	80.0	0.81	7.2	2.2	0.0067	0.0095	34
100L2-4	3.0		6.78	82.0	0.82					38
112M-4	4.0	1440	8.83	84.0	0.83	7.5	2.2	0.0214	0.0296	43
132S-4	5.5		11.7	85.0	0.83					68
132M-4	7.5	1460	15.6	87.0	0.84	7.5	2.2	0.0747	0.0918	81
160M-4	11		22.35	88.0	0.85					123
160L-4	15	1470	30.14	89.0	0.86	7.2	2.2	0.139	0.158	144
180M-4	18.5		36.47	90.5						0.86
180L-4	22	1480	43.14	91.0	0.87	6.9	2.1	0.262	0.406	190
200L-4	30		57.63	92.0						0.87
225S-4	37	1490	69.89	92.5	0.88	6.9	2.2	0.469	0.66	284
225M-4	45		95.54	92.8						0.88
250M-4	55	1490	103.1	93.0	0.89	6.9	2.2	1.12	1.46	427
280S-4	75		139.7	93.8						0.89
280M-4	90	1490	166.93	94.2	0.90	6.9	2.2	3.11	3.62	667
315S-4	110		201.06	94.5						0.90
315M-4	132	1490	240.57	94.8	0.89	6.9	2.2	4.13	4.94	1100
315L1-4	160		287.95	94.9						0.89
315L2-4	200	1490	358.8	95.0	0.90	6.9	2.2	5.67	6.66	1270
355M-4	250		442.12	95.3						0.90
355L-4	315	555.32	95.6	0.90	1850					

附录 A-1
Appendix A-1

机座号 Frame size	额定功率 Rated power/kW	满载时 Full load				堵转电流 Blocked current	堵转转矩 Blocked torque	最大转矩 Max torque	转动惯量 Moment of inertia (/kg.m ²)	净重 Weight /kg*
		转速 Speed /(r/min)*	电流 Current /A*	效率 Eff /(%)	功率因数 Power factor*	额定电流 Rated current	额定转矩 Rated torque	额定转矩 Rated torque		
同步转速 1000r/min 6 极 Synchronous Speed 1000r/min 6P										
711-6	0.18	850	0.74	56.0	0.66	4.0	1.9	2.0	—	—
712-6	0.25		0.95	59.0	0.68				0.00158	17
801-6	0.37	890	1.3	62.0	0.70	4.7	2.0	0.0021	19	
802-6	0.55		1.79	65.0	0.72			0.0029	23	
90S-6	0.75	910	2.26	69.0	0.73	5.5	2.0	0.0035	25	
90L-6	1.1		3.14	72.0				0.0069	33	
100L-6	1.5	940	3.95	76.0	0.75	6.5	2.1	0.0138	45	
112M-6	2.2		5.57	79.0	0.76			0.0286	63	
132S-6	3.0	960	7.41	81.0	0.77	2.1	2.1	0.0357	73	
132M1-6	4.0		9.64	82.0				0.0449	84	
132M2-6	5.5	970	12.93	84.0	0.81	2.0	2.1	0.0881	119	
160M-6	7.5		17.0	86.0				0.116	147	
160L-6	11	970	24.23	87.5	0.78	7.0	2.1	0.207	195	
180L-6	15		31.63	89.0	0.315			220		
200L1-6	18.5	970	38.1	90.0	0.83	2.1	2.0	0.360	250	
200L2-6	22		44.52	90.0				0.547	292	
225M-6	30	980	58.63	91.5	0.84	7.0	2.1	0.834	408	
250M-6	37		71.08	92.0	1.39			536		
280S-6	45	980	85.98	92.5	0.86	2.1	2.0	1.65	595	
280M-6	55		104.75	92.8				4.11	990	
315S-6	75	990	141.77	93.5	0.87	6.7	2.0	4.28	1080	
315M-6	90		169.58	93.8				5.45	1150	
315L1-6	110	990	206.83	94.0	0.88	1.9	2.0	6.12	1210	
315L2-6	132		244.82	94.2				8.85	1600	
355M1-6	160	990	291.52	94.5	0.88	1.9	2.0	9.55	1700	
355M2-6	200		363.64	94.7				10.63	1800	
355L-6	250	990	453.60	94.9	0.88	1.9	2.0	10.63	1800	

附录 A-1
Appendix A-1

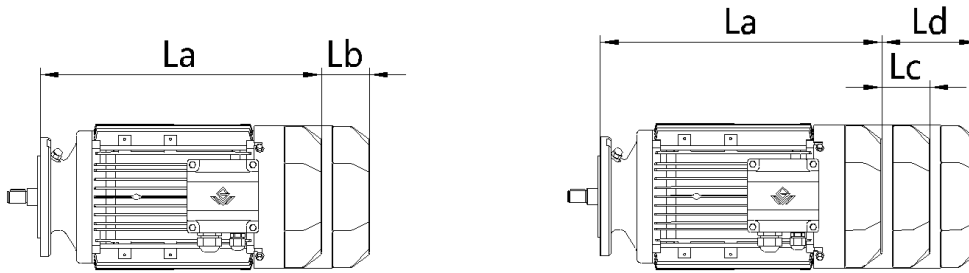
机座号 Frame size	额定功率 Rated power/kW	满载时 Full load				堵转电流 Blocked current	堵转转矩 Blocked torque	最大转矩 Max torque	转动惯量 Moment of inertia / (kg.m ²)	净重 Weight /kg*
		转速 Speed / (r/min)*	电流 Current / A*	效率 Eff / (%)	功率因数 Power factor*	额定电流 Rated current	额定转矩 Rated torque	额定转矩 Rated torque		
同步转速 750r/min 8 极 Synchronous Speed 750r/min 8P										
801-8	0.18	630	0.88	51.0	0.61	3.3	1.9	0.00158	17	
802-8	0.25	640	1.15	54.0				0.0021	19	
90S-8	0.37	660	1.49	62.0				0.0029	23	
90L-8	0.55		2.18	63.0	4.0	0.0035	25			
100L1-8	0.75	690	2.43	71.0		0.67	1.8	0.0069	33	
100L2-8	1.1		3.42	73.0	0.69	0.0107		38		
112M-8	1.5	680	4.47	75.0		5.0	1.9	0.0149	50	
132S-8	2.2	710	6.04	78.0	0.71			6.0	0.0314	63
132M-8	3.0		7.9	79.0	0.73	0.0395	79			
160M1-8	4.0	720	10.28	81.0		0.74	1.9	0.0753	118	
160M2-8	5.5		13.61	83.0	0.74		0.0931	119		
160L-8	7.5		17.88	85.5	0.75		2.0	0.126	145	
180L-8	11	730	25.29	87.5	0.76	2.0		0.203	184	
200L-8	15		34.09	88.0			0.76	0.339	250	
225S-8	18.5		40.58	90.0			0.78	2.0	0.491	266
225M-8	22	47.37	90.5	0.78	0.547	292				
250M-8	30	740	63.43	91.0	0.79	6.6	1.9	0.834	405	
280S-8	37		76.83	91.5				0.79	1.39	520
280M-8	45		92.93	92.0				0.79	1.65	592
315S-8	55		112.97	92.8	0.81	1.8	2.0	4.79	1000	
315M-8	75		151.33	93.0				0.81	5.58	1100
315L1-8	90		177.86	93.8	0.82	6.4	1.8	6.37	1160	
315L2-8	110	216.92	94.0	0.82				7.23	1230	
355M1-8	132	260.3	93.7	0.82				10.55	1600	
355M2-8	160	310.07	94.2	0.83	6.4	1.8	11.73	1700		
355L-8	200	386.36	94.5				0.83	12.86	1800	
同步转速 600r/min 10 极 Synchronous Speed 600r/min 10P										
315S-10	45	590	99.67	91.5	0.75	6.2	1.5	4.79	810	
315M-10	55		121.16	92.0	0.75			6.37	930	
315L1-10	75		162.16	92.5	0.76			7.0	1045	
315L2-10	90		191.03	93.0	0.77	2.0	7.15	1115		
355M1-10	110		230	93.2	0.78		6.0	1.3	12.55	1500
355M2-10	132		275.11	93.5					0.78	13.75
355L-10	160	333.47	93.5	0.78	14.86	1700				

注：表格中带*的参数仅作为参考，具体数值以用户收到的电机铭牌参数数值为准。

Note: The parameters with * in the table are for reference only. The specific values are subject to the nameplate parameters of the actual supplied motor.

附录 A-2

Appendix A-2



G 系列用直联型 IE2 普通电机尺寸 L1=La

G series gearbox connects IE2 ordinary motor directly without flange, the size is L1, L1 is equal to La

GR 系列 GR Series

机型号 Type size	Frame size 机座号		63M	71M	80M	90S	90L	100L	112M	132S	132M	160M	160L	180M	180L	200L	225S	225M	250M	280S	280M	
	GR...19/29/39			257	270	310	333	368	399													
GR...49/59/69/GRX...59/69			257	264	304	327	362	391	441	447	482											
GR...79/GRX...79			258	258	298	319	354	383	432	435	470	551	595									
GR...89/GRX...89					293	315	350	379	427	430	465	546	590	631	669							
GR...99/GRX...99					284	307	342	373	422	425	460	541	585	626	664	713						
GR...109/GRX...109								367	416	419	454	535	579	620	658	707	721	746				
GR...139/GRX...139										412	447	528	572	613	651	700	714	734	816			
GR...149												520	564	605	643	692	706	731	808	879	930	
GR...169/179												520	564	603	641	684	698	718	800	868	919	

GS 系列 GS Series

机型号 Type size	Frame size 机座号		63M	71M	80M	90S	90L	100L	112M	132S	132M	160M	160L	180M	180L	200L	225S	225M	250M	280S	280M	
	GS...39/49/59			257	270	310	333	368	399													
GS...69			257	264	304	327	362	391	441	447	482											
GS...79			258	258	298	319	354	383	432	435	470	551	595									
GS...89					293	315	350	379	427	430	465	546	590	631	669							
GS...99					284	307	342	373	422	425	460	541	585	626	664	713						
GS...109								367	416	419	454	535	579	620	658	707						

GK 系列 GK Series

机型号 Type size	Frame size 机座号		63M	71M	80M	90S	90L	100L	112M	132S	132M	160M	160L	180M	180L	200L	225S	225M	250M	280S	280M	
	GK...39			257	270	310	333	368	399													
GK...49/59/69			257	264	304	327	362	391	441	447	482											
GK...79			258	258	298	319	354	383	432	435	470	551	595									
GK...89					293	315	350	379	427	430	465	546	590	631	669							
GK...99					284	307	342	373	422	425	460	541	585	626	664	713						
GK...109								367	416	419	454	535	579	620	658	707	721	746				
GK...129										404	439	520	564	605	643	692	706	731	808	879	930	
GK...159/169/189												520	564	603	641	684	698	718	800	868	919	

GF 系列 GF Series

机型号 Type size	Frame size 机座号		63M	71M	80M	90S	90L	100L	112M	132S	132M	160M	160L	180M	180L	200L	225S	225M	250M	280S	280M	
	GF...39/49			257	270	310	333	368	399													
GF...59/69			257	264	304	327	362	391	441	447	482											
GF...79			258	258	298	319	354	383	432	435	470	551	595									
GF...89					293	315	350	379	427	430	465	546	590	631	669							
GF...99					284	307	342	373	422	425	460	541	585	626	664	713						
GF...109								367	416	419	454	535	579	620	658	707	721	746				
GF...129										404	439	520	564	605	643	692	706	731	808	879	930	
GF...159												520	564	603	641	684	698	718	800	868	919	

附录 A-2

Appendix A-2

G 系列用直联型非普通电机尺寸 L1
G series use directly type not ordinary motor size L1

电机类型 Motor type 机座号 Frame size	变频直联电机 variable frequency directly motor	制动直联电机 brake directly motor	变频制动直联电机 variable frequency brake directly motor
	L1=La+Lb	L1=La+Lc	L1=La+Ld
63M	La+67	La+57	La+112
71M	La+67	La+57	La+112
80M	La+59	La+60	La+106
90S	La+74	La+70	La+122
90L	La+74	La+70	La+119
100L	La+77	La+68	La+108
112M	La+83	La+74	La+102
132S	La+73	La+82	La+129
132M	La+73	La+82	La+109
160M	La+65	La+91	La+155
160L	La+68	La+94	La+158
180M	La+112	La+125	La+212
180L	La+112	La+125	La+212
200L	La+73	La+148	La+213
225S	La+92	La+167	La+236
225M	La+92	La+167	La+236
250M	La+100	La+183	La+260
280S	La+127	La+201	La+293
280M	La+127	La+201	La+293

注：La 尺寸见上表。

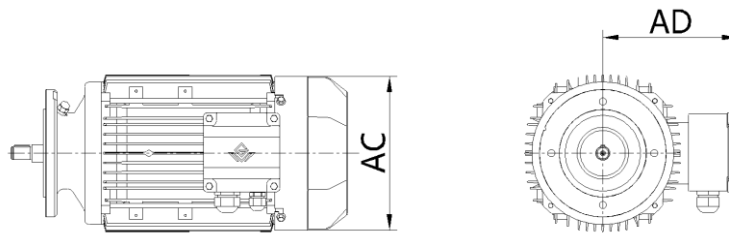
Note: La size are shown in the above table.

注：G 系列直联电机安装尺寸及形位公差要求按图纸。

Note: The installation dimension and form and position tolerance of G series direct motor shall be in accordance with the drawing.

附录 A-3

Appendix A-3



G 系列用直联型 IE2 电机外壳尺寸 AC 和接线盒高度尺寸 AD

G series use directly type IE2 motor shell size AC and terminal box height size AD

电机尺寸 Motor size Frame size 机座号	63M	71M	80M	90S	90L	100L	112M	132S	132M	160M	160L	180M	180L	200L	225S	225M	250M	280S	280M
AC	163	163	179	198	198	228	249	295	295	337	337	376	376	405	451	451	490	552	552
AD	138	138	149	166	166	181	187	210	210	260	260	285	285	310	340	340	375	415	415

注：以上尺寸仅适用于普通直联电机，变频直联电机，制动直联电机，变频制动直联电机。

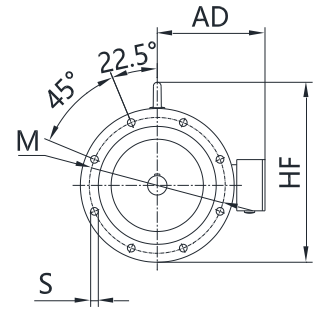
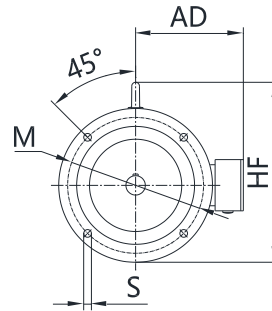
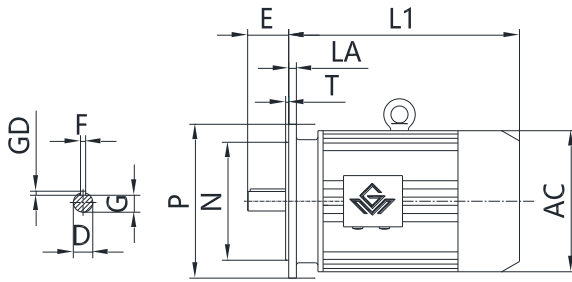
Note: The above size just apply to common directly motor, variable frequency directly motor, brake directly motor, variable frequency brake directly motor.

注：所有直联型电机的重量参考 IEC 标准电机重量。

Note: The weight of all direct connection motors refer to the weight of IEC standard ordinary motors.

附录 A-4

Appendix A-4



机座号63-200

机座号225-315

标准普通电机外形及安装尺寸 (IE2)

Dimensions of Standary Ordinary Motors(IE2)

机座号 Frame size	安装尺寸及外形尺寸 Mounting Dimensions														联接处螺栓的规格 Specification of bolts in connection						
	D		E		F×GD		G		M	N	P	S	T	AC			AD	LA	HF	L1	
	2P	4-10P	2P	4-10P	2P	4-10P	2P	4-10P												2P	4-10P
63M	11		23		4×4		8.5		115	95	140	10	3	130	70	10	130	207	M8×25		
71M	14		30		5×5		11		130	110	160			145	80	10	145	225	M8×25		
80M	19		40		6×6		15.5		165	130	200	12	3.5	175	145	12	185	255	M10×30		
90S	24		50		8×7		20							215	180	250	15	4	195	155	12
90L									12	12	295	M10×30									
100L	28		60				24		215	180	250	15	4	215	180	14	245	325	M12×35		
112M														240	190	14	265	340	M12×35		
132S	38		80		10×8		33		265	230	300	15	4	275	210	14	315	390	M12×35		
132M														14	14	430	M12×35				
160M	42		110		12×8		37		300	250	350	19	5	330	255	16	385	505	M16×40		
160L														16	16	560	M16×40				
180M	48		110		14×9		42.5		300	250	350	19	5	380	280	18	430	590	M16×45		
180L														18	18	630	M16×45				
200L	55				16×10		49		350	300	400	19	5	420	305	18	480	660	M16×45		
225S	60		140		16×10	18×11	53		400	350	450			470	335	20	535	710	705	M16×50	
225M	55	60	110	140			49	53						510	370	22	595	770	M16×55		
250M	60	65			18×11		53	58				19	5	510	370	22	595	770	M16×55		
280S	65	75	140		18×11	20×12	58	67.5	500	450	550			580	410	22	650	845	M16×55		
280M					22	22	895	M16×55													
315S	65	80	140	170	18×11	22×14	58	71	600	550	660	24	6	645	530	25	845	1020	1100	M20×60	
315M																25	25	1050	1130	M20×60	
315L1	65	80	140	170	18×11	22×14	58	71	600	550	660	24	6	645	530	25	845	1020	1100	M20×60	
315L2																25	25	1050	1130	M20×60	

附录 B
Appendix B
YEJ 系列电机外形及安装尺寸
Dimensions of YEJ Series Motors

机座号 Frame size	80	90S	90L	100L	112M	132S	132M	160M	160L	180M	180L	200L	225S	225M
L1	350	370	395	420	450	505	545	610	655	715	765	790	860	890

注：图形参照附录 A，其余尺寸同标准普通电机。

Note: See appendix A for dimensional drawings. Other dimensions are same as standary ordinary motors.

附录 C
Appendix C
G 系列减速电机最大输出转矩表
Max. Output Torque Table, G Series Geared Motors
GRX 系列 GRX Series

机型号 Type size	GRX..59	GRX..69	GRX..79	GRX..89	GRX..99	GRX..109	GRX..139							
最大输出转矩 Max.output torque(N.m)	70	135	215	400	600	830	1500							

GR 系列 GR Series

机型号 Type size	GR..19	GR..29	GR..39	GR..49	GR..59	GR..69	GR..79	GR..89	GR..99	GR..109	GR..139	GR..149	GR..169	GR..179
最大输出转矩 Max.output torque(N.m)	85	130	200	300	450	600	820	1550	3000	4300	8000	13000	18000	36600

GS 系列 GS Series

机型号 Type size	GS..39	GS..49	GS..59	GS..69	GS..79	GS..89	GS..99	GS..109						
最大输出转矩 Max.output torque(N.m)	87	170	300	520	1220	2300	4000	6500						

GK 系列 GK Series

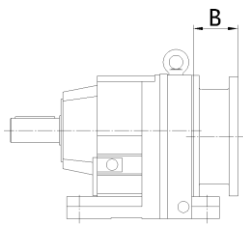
机型号 Type size	GK..39	GK..49	GK..59	GK..69	GK..79	GK..89	GK..99	GK..109	GK..129	GK..159	GK..169	GK..189		
最大输出转矩 Max.output torque(N.m)	200	400	600	820	1550	2700	4300	8000	13000	18000	32000	50000		

GF 系列 GF Series

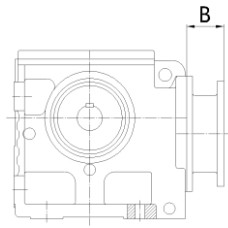
机型号 Type size	GF..39	GF..49	GF..59	GF..69	GF..79	GF..89	GF..99	GF..109	GF..129	GF..159				
最大输出转矩 Max.output torque(N.m)	200	400	600	820	1550	2700	4300	8000	13000	18000				

注：表中所列为减速电机最大负载转矩。实际上，同一规格的减速电机在不同传动比时，其最大承载转矩有可能不同。必要时，此值可按“选型参数表”中的输出转矩 M_0 乘以使用系数 f_0 求得。瞬间过载能力可达最大转矩的 1.8 倍。

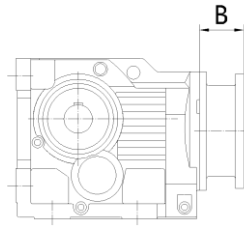
Note: List date is gearmotor's max. output torque. In fact the torque see selection table, the value equal the rate torque and service factor product. On request, please contact us.

附录 D
Appendix D


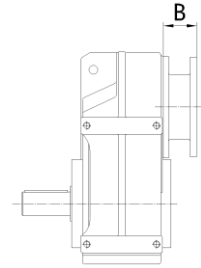
GR 系列 GR Series



GS 系列 GS Series



GK 系列 GK Series



GF 系列 GF Series

联接法兰尺寸 B (联接 IEC 标准电机)
The dimension B of the flange for IEC series motors
GR 系列 GR Series

机型号 Type size	Frame size 机座号	63	71	80	90	100	112	132	160	180	200	225	250	280	315
GR...19/29/39		50	70.5	99.5	99.5	119									
GR...49/59/69/GRX...59/69		44.5	65	94	94	111	111	150							
GR...79/GRX...79		36.5	59	88	88	103	103	138	179						
GR...89/GRX...89				83	83	99	99	133	174	174					
GR...99/GRX...99				73.5	73.5	93	93	128	169	169	165.5				
GR...109/GRX...109						87	87	122	163	163	159.5	193			
GR...139/GRX...139								115	156	156	152.5	186	185		
GR...149									148	148	144.5	178	177	189	
GR...169/179									140/132	140/132	136.5/128.5	170/162	166/158	178/170	253/245

GS 系列 GS Series

机型号 Type size	Frame size 机座号	63	71	80	90	100	112	132	160	180	200				
GS...39/49/59		50	70.5	99.5	99.5	119									
GS...69		44.5	65	94	94	111	111	150							
GS...79		36.5	59	88	88	103	103	138	179						
GS...89				83	83	99	99	133	174	174					
GS...99				73.5	73.5	93	93	128	169	169					
GS...109						87	87	122	163	163	159.5				

GK 系列 GK Series

机型号 Type size	Frame size 机座号	63	71	80	90	100	112	132	160	180	200	225	250	280	315
GK...39		50	70.5	99.5	99.5	119									
GK...49/59/69		44.5	65	94	94	111	111	150							
GK...79		36.5	59	88	88	103	103	138	179						
GK...89				83	83	99	99	133	174	174					
GK...99					73.5	93	93	128	169	169	165.5				
GK...109						87	87	122	163	163	159.5	193			
GK...129								107	148	148	144.5	178	177	189	
GK...159/169									140	140	136.5	170	166	178	253
GK...189									132	132	128.5	162	158	170	245

GF 系列 GF Series

机型号 Type size	Frame size 机座号	63	71	80	90	100	112	132	160	180	200	225	250	280	315
GF...39/49		50	70.5	99.5	99.5	119									
GF...59/69		44.5	65	94	94	111	111	150							
GF...79		36.5	59	88	88	103	103	138	179						
GF...89				83	83	99	99	133	174	174					
GF...99					73.5	93	93	128	169	169	165.5				
GF...109						87	87	122	163	163	159.5	193			
GF...129								107	148	148	144.5	178	177	189	
GF...159									140	140	136.5	170	166	178	253

所配联接法兰的最大重量(kg) Maximum weight of coupling flange(kg)

机座号 Frame size	重量(kg) weight(kg)	63	71	80	90	100	112	132	160	180	200	225	250	280	315
		4.1	5.1	12	12	20.2	20.2	36.7	68.3	68.3	64.5	79.5	105.3	118.8	196.4

附录 E

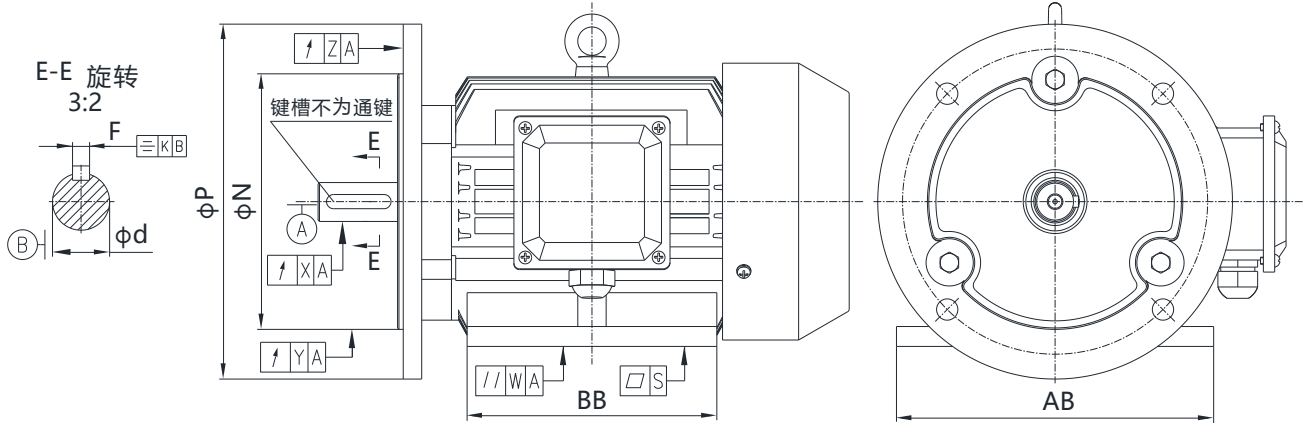
Appendix E

IEC 电动机形位公差要求

IEC motor shape and position tolerance requirements

用户自配或自备电机，须达到以下形位公差要求

The user-equipped or self-supplied motor must meet the following geometric tolerance requirements.



电动机安装面各项跳动 (B5、B35)

Motor mounting surface runout (B5, B35)

机座号 Frame size	轴伸跳动 (X) Shaft extension runout (X)		止口跳动 (Y) Lip runout (Y)		端面跳动 (Z) Face runout (Z)	
	轴伸直径 (d) Shaft extension diameter (d)	9 级 (轴伸一半处) Grade 9 (half shaft extension)	凸缘止口直 (N) Flange lip diameter (N)	9 级 Grade 9	外圆直径 (P) Outer diameter (P)	9 级 Grade 9
63 ~ 315	10 ~ 18	0.04	60 ~ 95	0.08	60 ~ 95	0.08
	18 ~ 30	0.04	> 95 ~ 230	0.1	> 95 ~ 230	0.1
	> 30 ~ 50	0.05	> 230 ~ 450	0.125	> 230 ~ 450	0.125
	> 50 ~ 80	0.06	> 450 ~ 680	0.16	> 450 ~ 680	0.16

电动机轴伸上键槽对称度公差 (B5、B35)

Symmetry tolerance of keyway on motor shaft extension (B5, B35)

键槽宽度 (F) Keyway width (F)	对称度公差 (K) Symmetry tolerance (K)
4	0.018
5	
6	
8	0.022
10	
12	
14	0.030
16	
18	
20	0.037
22	

电动机轴线对底脚支承面的平行度公差 (B35)
Parallelism tolerance of motor axis to foot supporting surface (B35)

机座号 Frame size	平行度公差 (W) Parallelism tolerance (W)
63 ~ 250	0.40
> 250 ~ 315	0.75

电动机底脚支承面的平面度公差 (B35)
Flatness tolerance of motor foot bearing surface (B35)

AB 或 BB 中最大尺寸 Maximum dimension in AB or BB	平面度公差 (S) Flatness tolerance (S)
> 100 ~ 160	0.12
> 160 ~ 250	0.15
> 250 ~ 400	0.20
> 400 ~ 630	0.25
> 630 ~ 1000	0.30